

TT PRO 125 EC U



Mixed-flow inline fans with EC-motors

- Maximum airflow: 450
- Sound pressure level LpA at 3 m: 49
- Motor type: EC
- Control: Built-in speed controller
- Impeller type: Mixed-flow
- Casing material: Plastic
- Installation in any position
- Cable with mains plug
- Temperature sensor

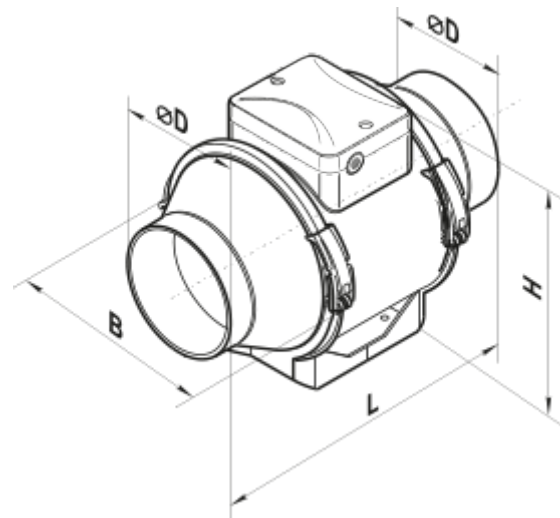
	Unit of measurement	TT PRO 125 EC U
Connected air duct size	mm	125
Speed	-	1
Minimum supply voltage	V	230
Maximum supply voltage	V	230
Power supply frequency	Hz	50/60
Rated power	W	40
Unit current	A	0.37
Maximum airflow	m ³ /h	450
Sound pressure level LpA at 3 m	dB(A)	49
Weight	kg	2.15
Transported air temperature (max)	°C	55
Transported air temperature (min)	°C	-25
Ingress protection rating	-	IPX4



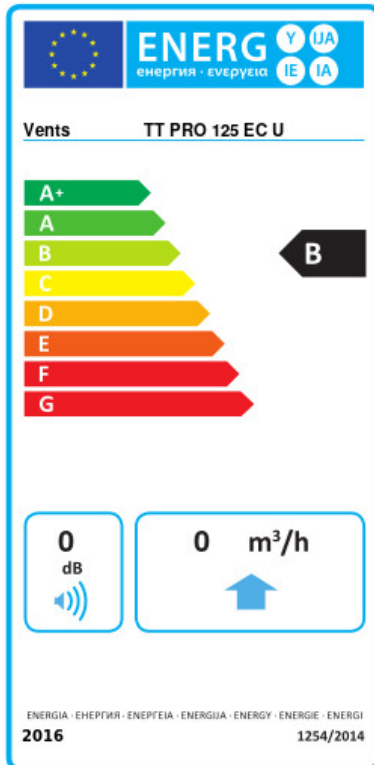


Dimensions

$\varnothing D$	B	H	L
123	193	241	259



Ecodesign



Trademark	Vents					
Model	TT PRO 125 EC U					
Specific energy consumption (SEC) (kWh/(m ² /a))	Cold		Average		Warm	
	0	A+	0	B	0	E
Type of ventilation unit	Unidirectional					
Type of drive installed	Variable speed					
Type of heat recovery system	None					
Maximum flow rate (m ³ /h)	0					
Electric power input (W)	0					
Reference flow rate (m ³ /s)	0					
Reference pressure difference (Pa)	0					
Specific power input (SPI) (W/(m ³ /h))	0					
Control typology	Local demand control					
Maximum external leakage rates (%)	0					
Declared typology	RVU UVU					
Sound power level (dB(A))	0					
The annual electricity consumption (AEC) (kWh/a)	Cold		Average		Warm	
	0		0		0	
The annual heating saved (AHS) (kWh/a)	Cold		Average		Warm	
	0		0		0	