

TT Silent-M 125 T



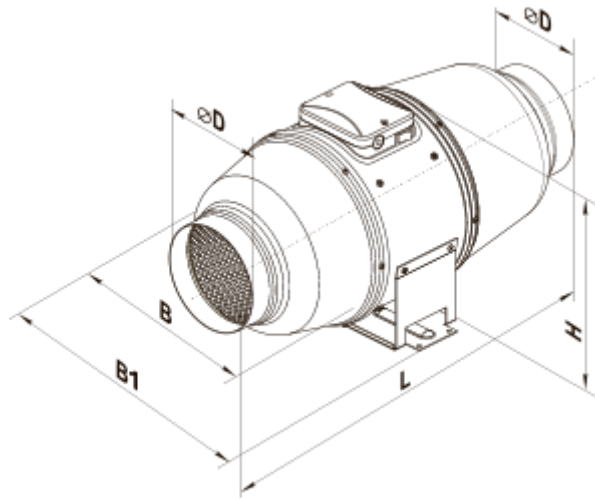
Inline mixed-flow fans in sound- and heat-insulated casing

- Maximum airflow: 340
- Sound pressure level LpA at 3 m: 28
- Sound insulation
- Motor type: AC
- Impeller type: Mixed-flow
- Casing material: Polypropylene/Thermoplastic elastomer
- Installation in any position
- Timer: Turn off timer

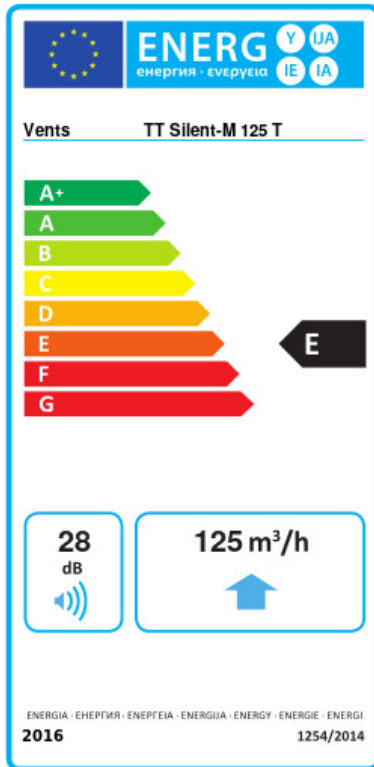
| | Unit of measurement | TT Silent-M 125 T | |
|----------------------------------------|---------------------|-------------------|------|
| Connected air duct size | mm | 125 | |
| Speed | - | 2 | |
| Minimum supply voltage | V | 230 | |
| Maximum supply voltage | V | 230 | |
| Power supply frequency | Hz | 50/60 | |
| Rated power | W | 25 | 29 |
| Unit current | A | 0.11 | 0.13 |
| Maximum airflow | m ³ /h | 230 | 340 |
| Sound pressure level LpA at 3 m | dB(A) | 23 | 28 |
| Weight | kg | 4.6 | |
| Transported air temperature (max) | °C | 60 | |
| Ingress protection rating | - | IPX4 | |
| Ingress protection rating of the drive | - | IPX4 | |

Dimensions

| ØD | B | B1 | L | H |
|-----|-----|-----|-----|-----|
| 123 | 215 | 243 | 474 | 237 |



Ecodesign



| | | | | | | |
|-------------------------------------------------------------|-------------------|---|---------|---|------|---|
| Trademark | Vents | | | | | |
| Model | TT Silent-M 125 T | | | | | |
| Specific energy consumption (SEC) (kWh/(m ² /a)) | Cold | | Average | | Warm | |
| | -28.3 | B | -10.3 | E | -0.1 | F |
| Type of ventilation unit | Unidirectional | | | | | |
| Type of drive installed | Multi-speed | | | | | |
| Type of heat recovery system | None | | | | | |
| Maximum flow rate (m ³ /h) | 125 | | | | | |
| Electric power input (W) | 29 | | | | | |
| Reference flow rate (m ³ /s) | 0.024 | | | | | |
| Reference pressure difference (Pa) | 50 | | | | | |
| Specific power input (SPI) (W/(m ³ /h)) | 0.286 | | | | | |
| Control typology | Clock control | | | | | |
| Maximum external leakage rates (%) | 2.7 | | | | | |
| Declared typology | RVU UVU | | | | | |
| Sound power level (dB(A)) | 28 | | | | | |
| The annual electricity consumption (AEC) (kWh/a) | Cold | | Average | | Warm | |
| | 337 | | 337 | | 337 | |
| The annual heating saved (AHS) (kWh/a) | Cold | | Average | | Warm | |
| | 3667 | | 1874 | | 848 | |