

TT Silent-M 150 T



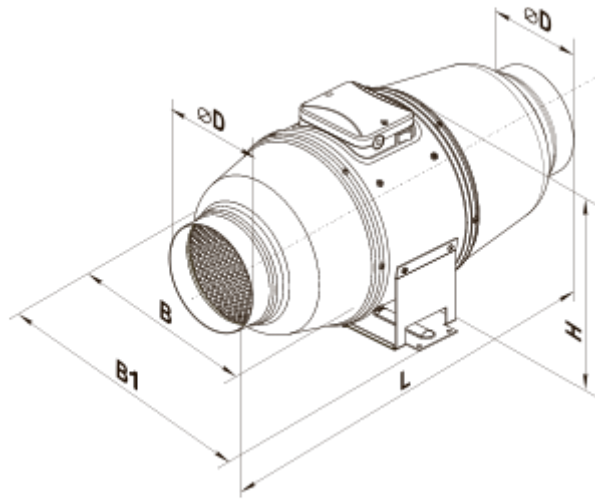
Inline mixed-flow fans in sound- and heat-insulated casing

- Maximum airflow: 555
- Sound pressure level LpA at 3 m: 33
- Sound insulation
- Motor type: AC
- Impeller type: Mixed-flow
- Casing material: Polypropylene/Thermoplastic elastomer
- Installation in any position
- Timer: Turn off timer

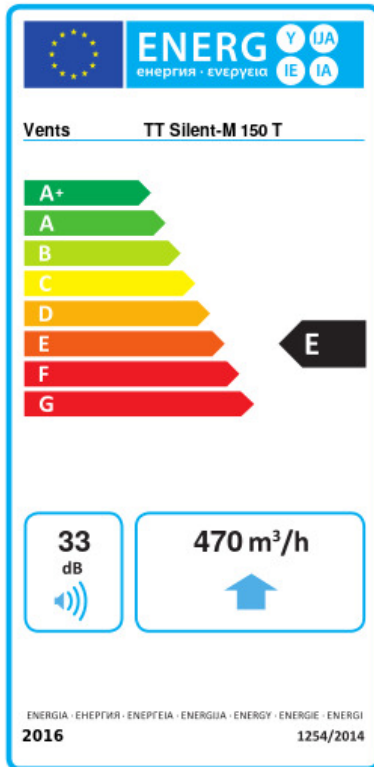
	Unit of measurement	TT Silent-M 150 T	
Connected air duct size	mm	150	
Speed	-	2	
Minimum supply voltage	V	230	
Maximum supply voltage	V	230	
Power supply frequency	Hz	50/60	
Rated power	W	45	52
Unit current	A	0.2	0.23
Maximum airflow	m ³ /h	405	555
Sound pressure level LpA at 3 m	dB(A)	26	33
Weight	kg	6.1	
Transported air temperature (max)	°C	60	
Ingress protection rating	-	IPX4	
Ingress protection rating of the drive	-	IPX4	

Dimensions

ØD	B	B1	L	H
147	247	274	580	260



Ecodesign



Trademark	Vents					
Model	TT Silent-M 150 T					
Specific energy consumption (SEC) (kWh/(m ² /a))	Cold		Average		Warm	
	-32.6	B	-14.7	E	-4.4	F
Type of ventilation unit	Unidirectional					
Type of drive installed	Multi-speed					
Type of heat recovery system	None					
Maximum flow rate (m ³ /h)	470					
Electric power input (W)	52					
Reference flow rate (m ³ /s)	0.091					
Reference pressure difference (Pa)	50					
Specific power input (SPI) (W/(m ³ /h))	0.137					
Control typology	Clock control					
Maximum external leakage rates (%)	2.7					
Declared typology	RVU UVU					
Sound power level (dB(A))	33					
The annual electricity consumption (AEC) (kWh/a)	Cold		Average		Warm	
	161		161		161	
The annual heating saved (AHS) (kWh/a)	Cold		Average		Warm	
	3667		1874		848	