

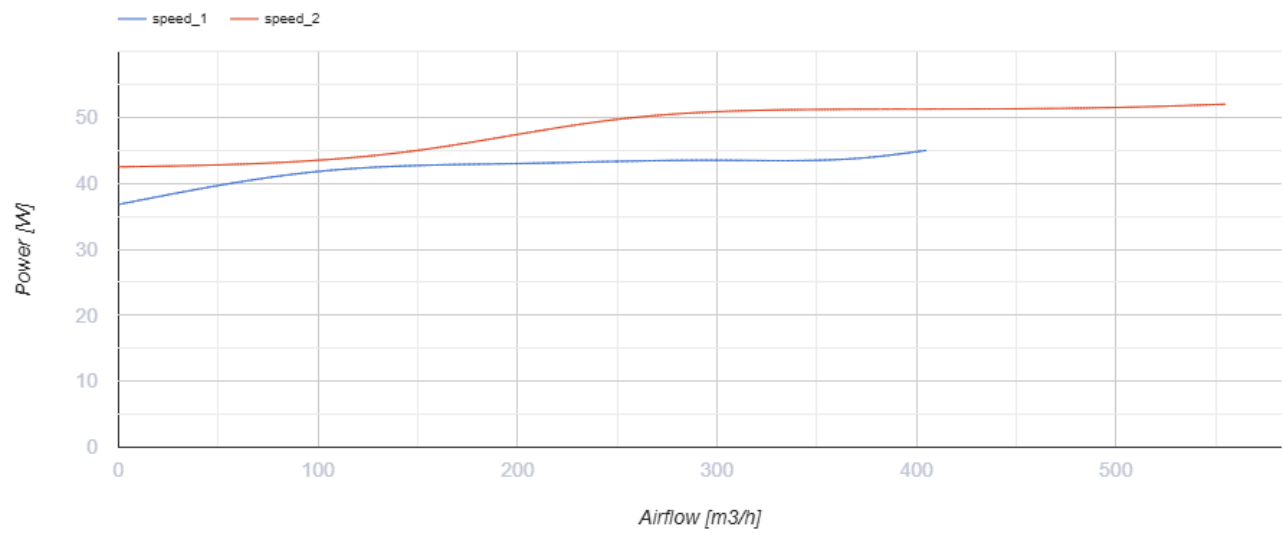
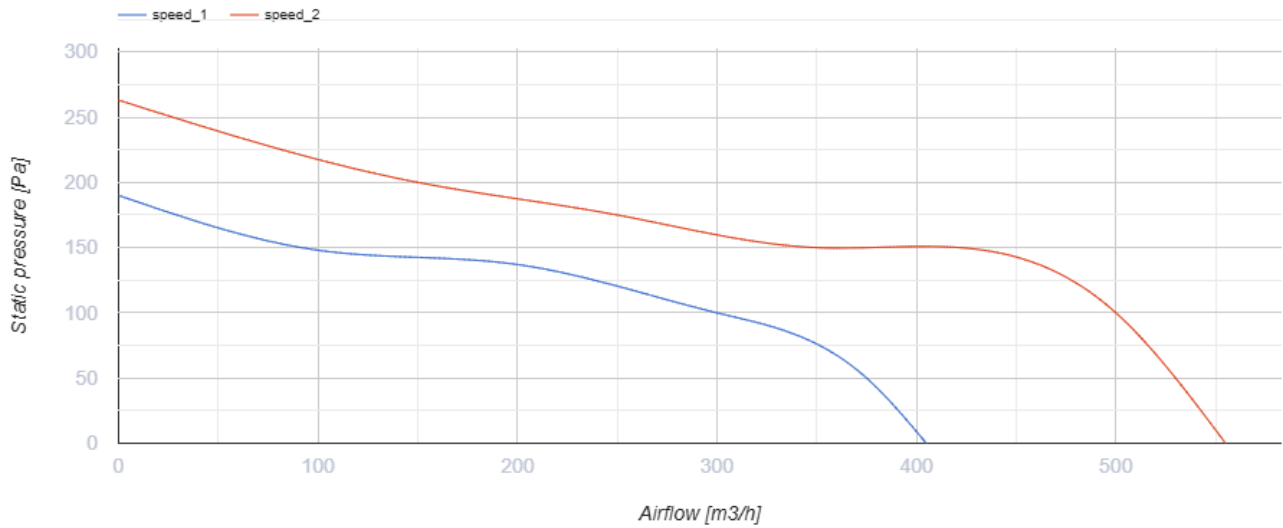
TT Silent-M 160



Mixed-flow inline fans in sound-insulated casings

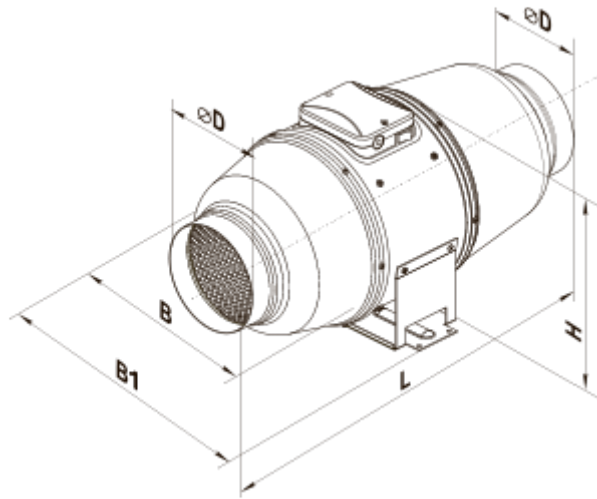
- Maximum airflow: 555
- Sound pressure level LpA at 3 m: 33
- Sound insulation
- Motor type: AC
- Impeller type: Mixed-flow
- Casing material: Polypropylene/Thermoplastic elastomer
- Installation in any position

| | Unit of measurement | TT Silent-M 160 | |
|----------------------------------------|---------------------|-----------------|------|
| Connected air duct size | mm | 160 | |
| Speed | - | 2 | |
| Minimum supply voltage | V | 230 | |
| Maximum supply voltage | V | 230 | |
| Power supply frequency | Hz | 50/60 | |
| Rated power | W | 45 | 52 |
| Unit current | A | 0.2 | 0.23 |
| Maximum airflow | m ³ /h | 405 | 555 |
| Sound pressure level LpA at 3 m | dB(A) | 26 | 33 |
| Weight | kg | 6.1 | |
| Transported air temperature (max) | °C | 60 | |
| Ingress protection rating | - | IPX4 | |
| Ingress protection rating of the drive | - | IPX4 | |

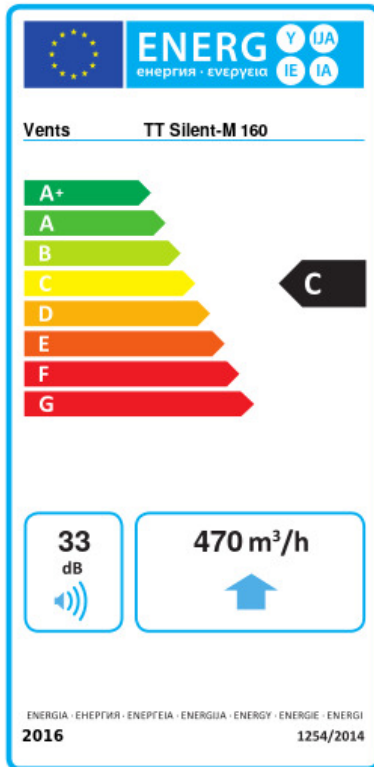


Dimensions

| ØD | B | B1 | L | H |
|-----|-----|-----|-----|-----|
| 157 | 247 | 274 | 580 | 260 |



Ecodesign



| | | | | | | |
|-------------------------------------------------------------|----------------------|----|---------|---|-------|---|
| Trademark | Vents | | | | | |
| Model | TT Silent-M 160 | | | | | |
| Specific energy consumption (SEC) (kWh/(m ² /a)) | Cold | | Average | | Warm | |
| | -52.8 | A+ | -25.7 | C | -10.2 | E |
| Type of ventilation unit | Unidirectional | | | | | |
| Type of drive installed | Multi-speed | | | | | |
| Type of heat recovery system | None | | | | | |
| Maximum flow rate (m ³ /h) | 470 | | | | | |
| Electric power input (W) | 52 | | | | | |
| Reference flow rate (m ³ /s) | 0.091 | | | | | |
| Reference pressure difference (Pa) | 50 | | | | | |
| Specific power input (SPI) (W/(m ³ /h)) | 0.137 | | | | | |
| Control typology | Local demand control | | | | | |
| Maximum external leakage rates (%) | 2.7 | | | | | |
| Declared typology | RVU UVU | | | | | |
| Sound power level (dB(A)) | 33 | | | | | |
| The annual electricity consumption (AEC) (kWh/a) | Cold | | Average | | Warm | |
| | 102 | | 102 | | 102 | |
| The annual heating saved (AHS) (kWh/a) | Cold | | Average | | Warm | |
| | 5536 | | 2830 | | 1280 | |