

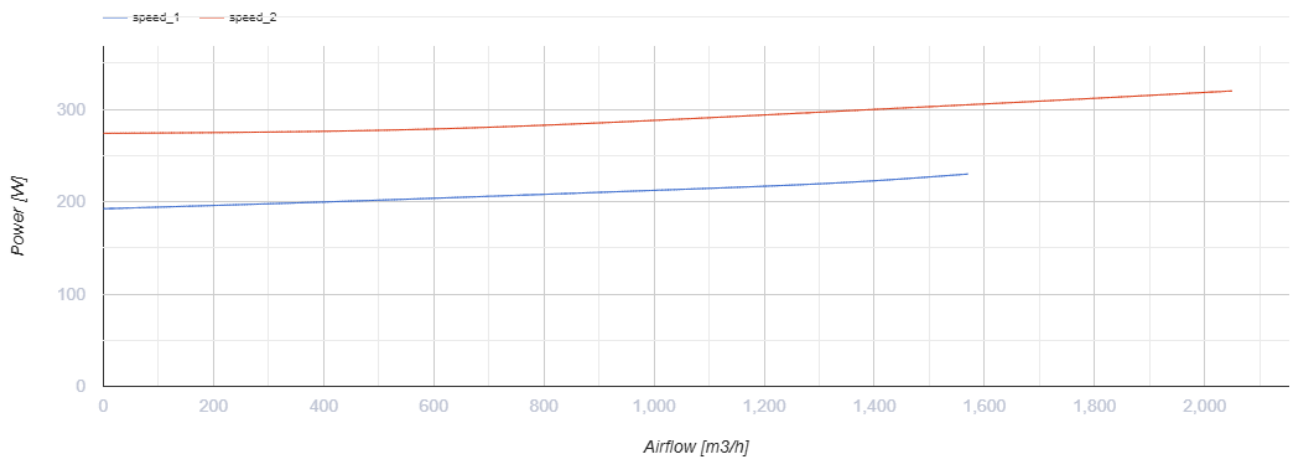
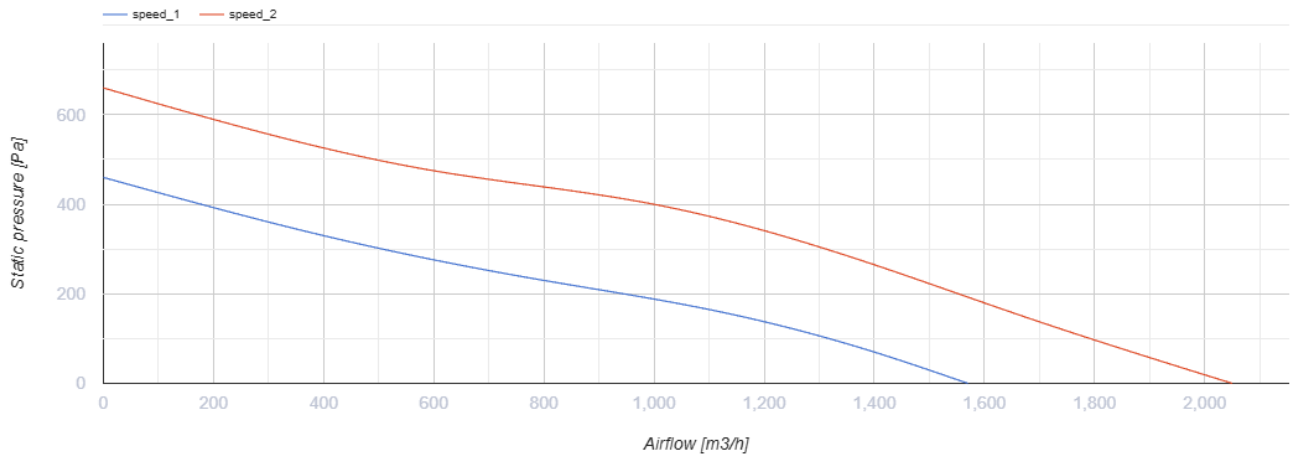
# TT Silent-M 315



Inline mixed-flow fans in sound- and heat-insulated casing

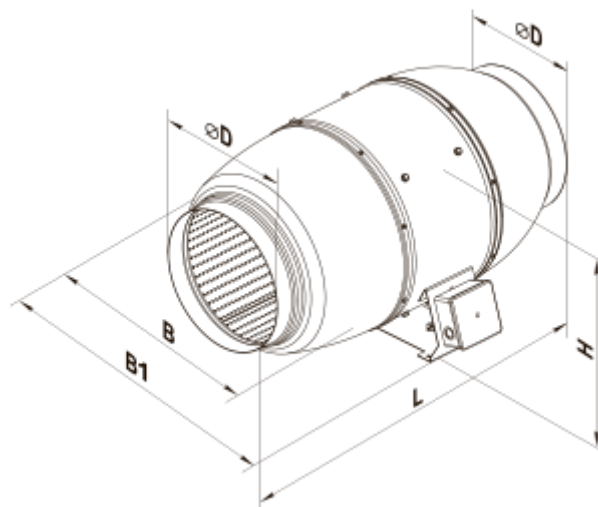
- Maximum airflow: 2050
- Sound pressure level LpA at 3 m: 40
- Sound insulation
- Motor type: AC
- Impeller type: Mixed-flow
- Casing material: Polypropylene/Thermoplastic elastomer
- Installation in any position

	Unit of measurement	TT Silent-M 315	
Connected air duct size	mm	315	
Speed	-	2	
Minimum supply voltage	V	230	
Maximum supply voltage	V	230	
Power supply frequency	Hz	50/60	
Rated power	W	230	320
Unit current	A	1	
Maximum airflow	m <sup>3</sup> /h	1570	2050
Sound pressure level LpA at 3 m	dB(A)	36	40
Weight	kg	25	
Transported air temperature (max)	°C	60	
Ingress protection rating	-	IPX4	
Ingress protection rating of the drive	-	IPX4	



## Dimensions

ØD	B	B1	L	H
313	432	520	780	434



## Ecodesign

Trademark	Vents
Model	TT Silent-M 315
Type of drive installed	External MSD or VSD
Type of heat recovery system	None
Nominal flow rate (m <sup>3</sup> /s)	0.309
Nominal external pressure (Pa)	327
Maximum external leakage rates (%)	2.7
Static efficiency (%)	32.5
Declared typology	NRVU UVU
Effective electric power input (kW)	0.317
Sound power level (dB(A))	58