

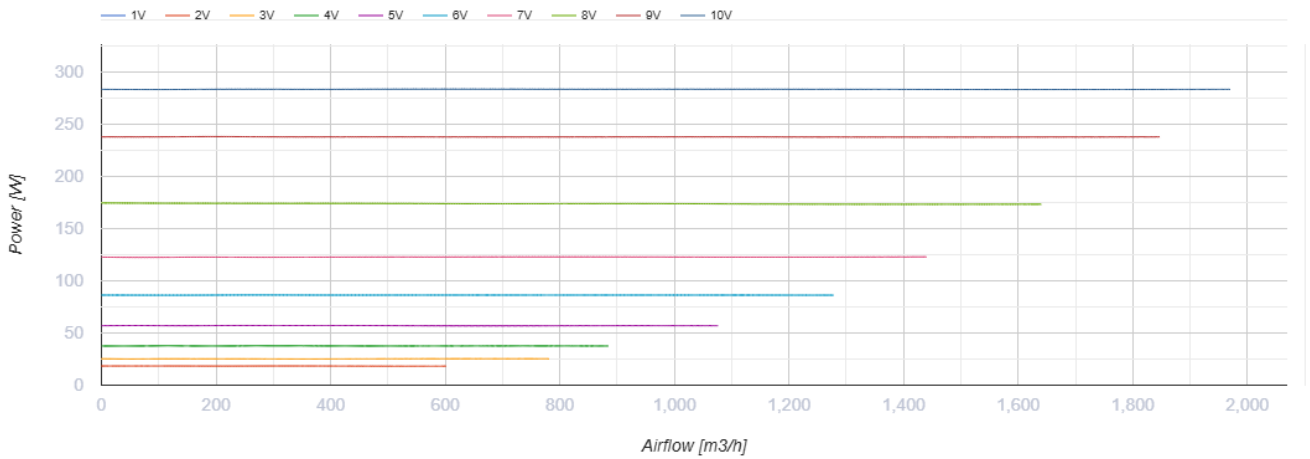
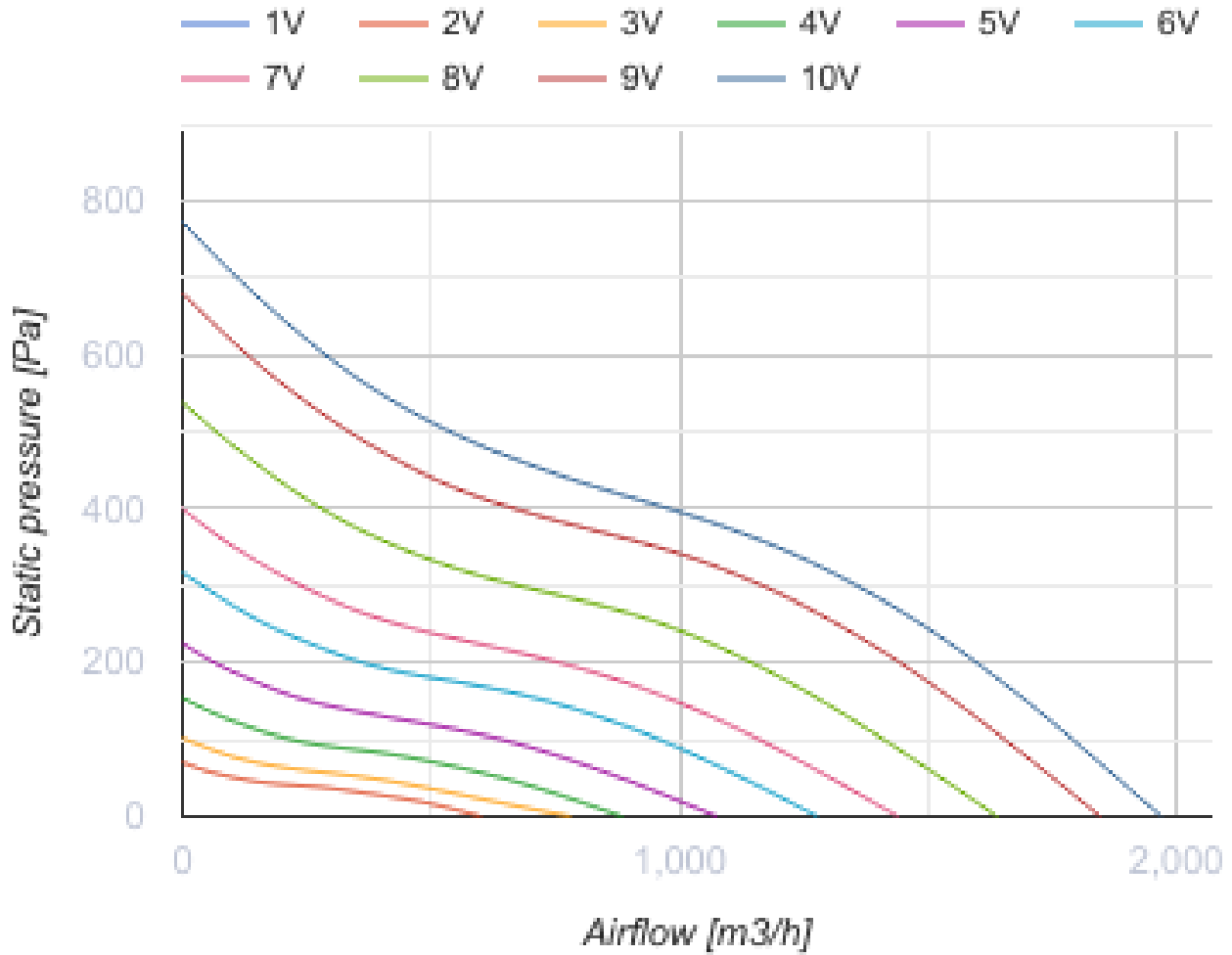
TT Silent-M 315 EC



Mixed-type duct fans with EC motors in casings with noise and heat insulation

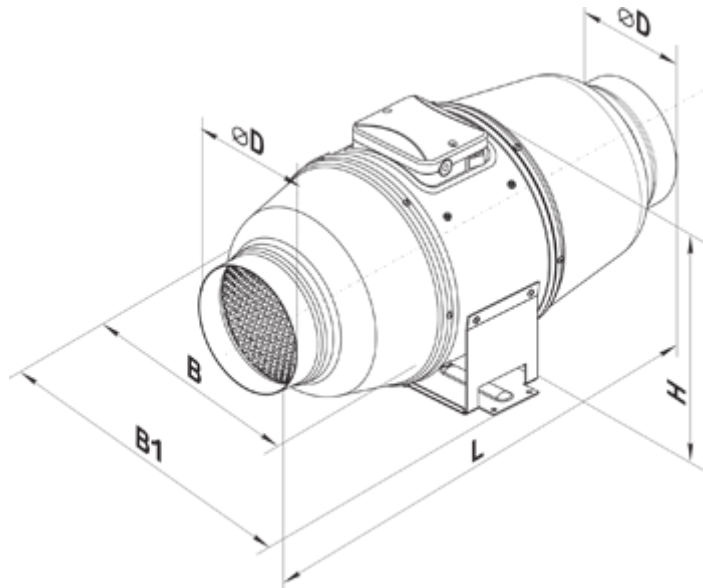
- Maximum airflow: 1970
- Sound pressure level LpA at 3 m: 46
- Sound insulation
- Motor type: EC
- Impeller type: Mixed-flow
- Casing material: Coated steel
- Installation in any position

	Unit of measurement	TT Silent-M 315 EC
Connected air duct size	mm	315
Speed	-	1
Minimum supply voltage	V	230
Maximum supply voltage	V	230
Power supply frequency	Hz	50/60
Rated power	W	284
Unit current	A	1.25
Maximum airflow	m ³ /h	1970
Sound pressure level LpA at 3 m	dB(A)	46
Weight	kg	19.8
Transported air temperature (max)	°C	55
Transported air temperature (min)	°C	-25
Ingress protection rating	-	IPX4



Dimensions

ØD	B	B1	L	H
313	432	527	782	455



Ecodesign

Trademark	Vents
Model	TT Silent-M 315 EC
Type of drive installed	Integrated VSD
Type of heat recovery system	None
Nominal flow rate (m ³ /s)	0.31
Nominal external pressure (Pa)	371
Maximum external leakage rates (%)	2.7
Static efficiency (%)	46.6
Declared typology	NRVU UVU
Sound power level (dB(A))	66
Effective electric power input (kW)	0.283