

VCUN 225x103-1,1-4 R90



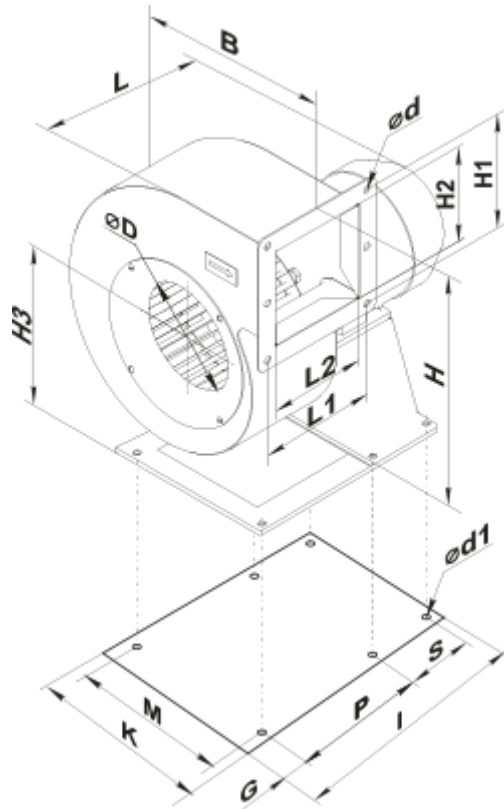
Scroll single-inlet centrifugal fans with the impeller mounted directly on the three phase asynchronous motor shaft. The fan is designed for supply and exhaust ventilation systems

- Maximum airflow: 2125
- Sound pressure level LpA at 3 m: 72
- Motor type: AC
- Impeller type: Centrifugal forward curved blades
- Casing material: Polypropylene/Thermoplastic elastomer

	Unit of measurement	VCUN 225x103-1,1-4 R90
Speed	-	1
Minimum supply voltage	V	400
Maximum supply voltage	V	400
Power supply frequency	Hz	50
Rated power	W	1100
Unit current	A	2.8
Maximum airflow	m ³ /h	2125
Sound pressure level LpA at 3 m	dB(A)	72
Weight	kg	21.2
Transported air temperature (max)	°C	60
Ingress protection rating	-	IP54
Ingress protection rating of the drive	-	IP54






Dimensions

ØD	Ød	Ød1	B	H	H1	H2	H3	L	L1	L2	P	M	I	G	K	S
225	10	12	388	507	178	151	232	432	172	141	174	275	316	27	330	100



Accessories

Speed controllers

Name	Photo	Description
RSA5D-3,5-T		Three phase speed controller
RSA5D-6,0-M		Three phase speed controller
RSA5D-8,0-M		Three phase speed controller
RSA5D-11,0-M		Three phase speed controller
RSA5D-12,0-M		Three phase speed controller