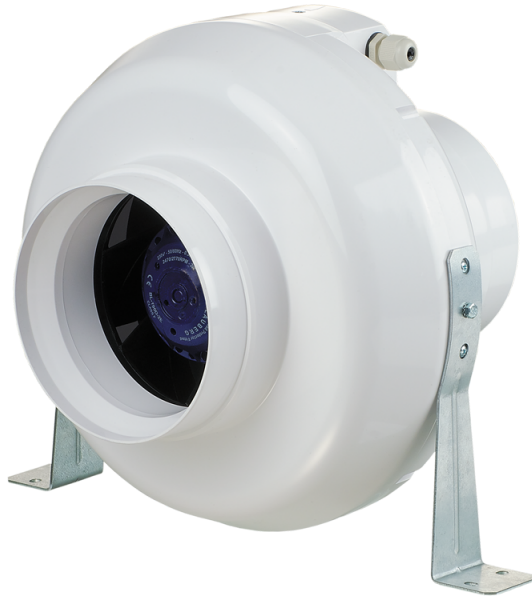


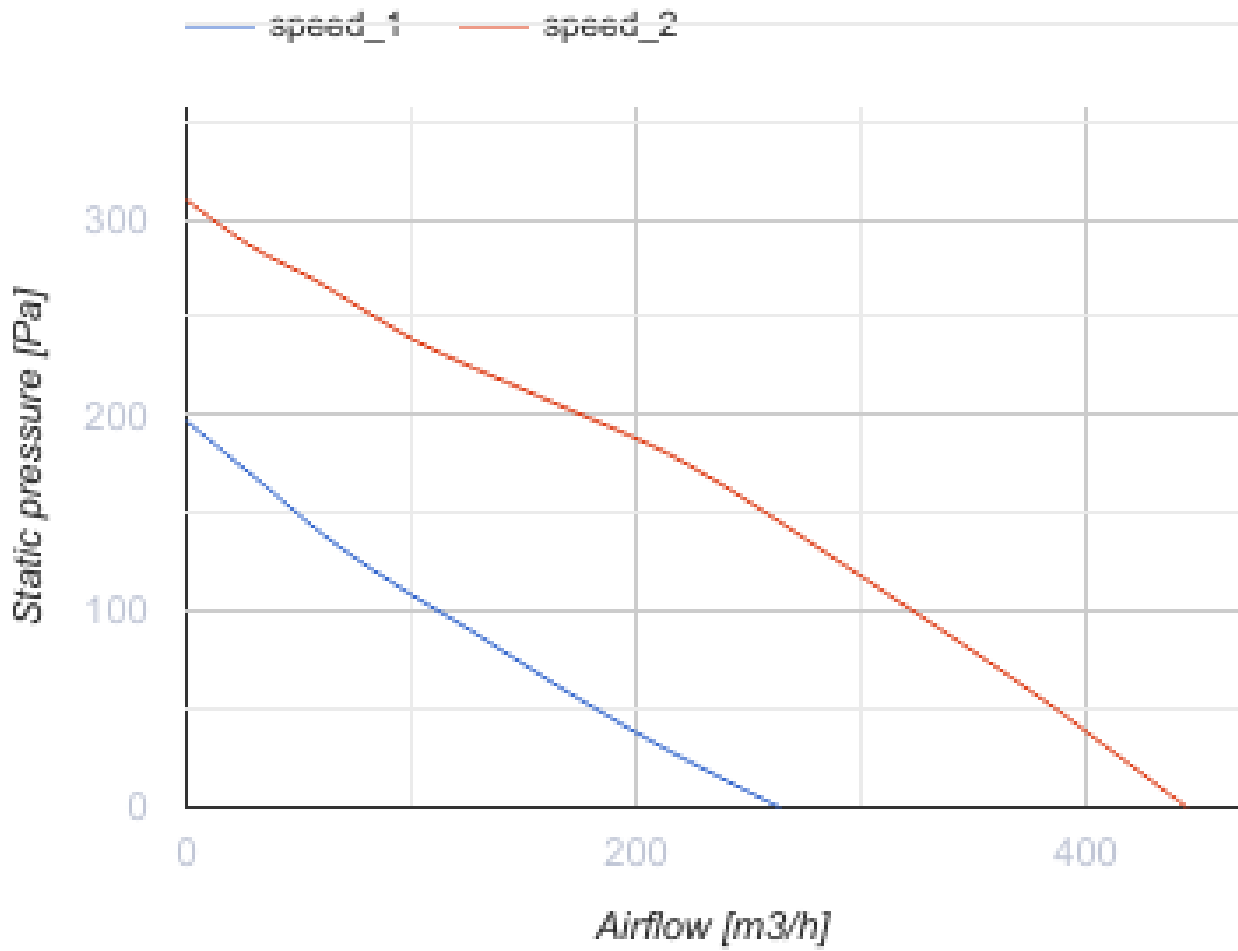
VK 150 Duo R1V

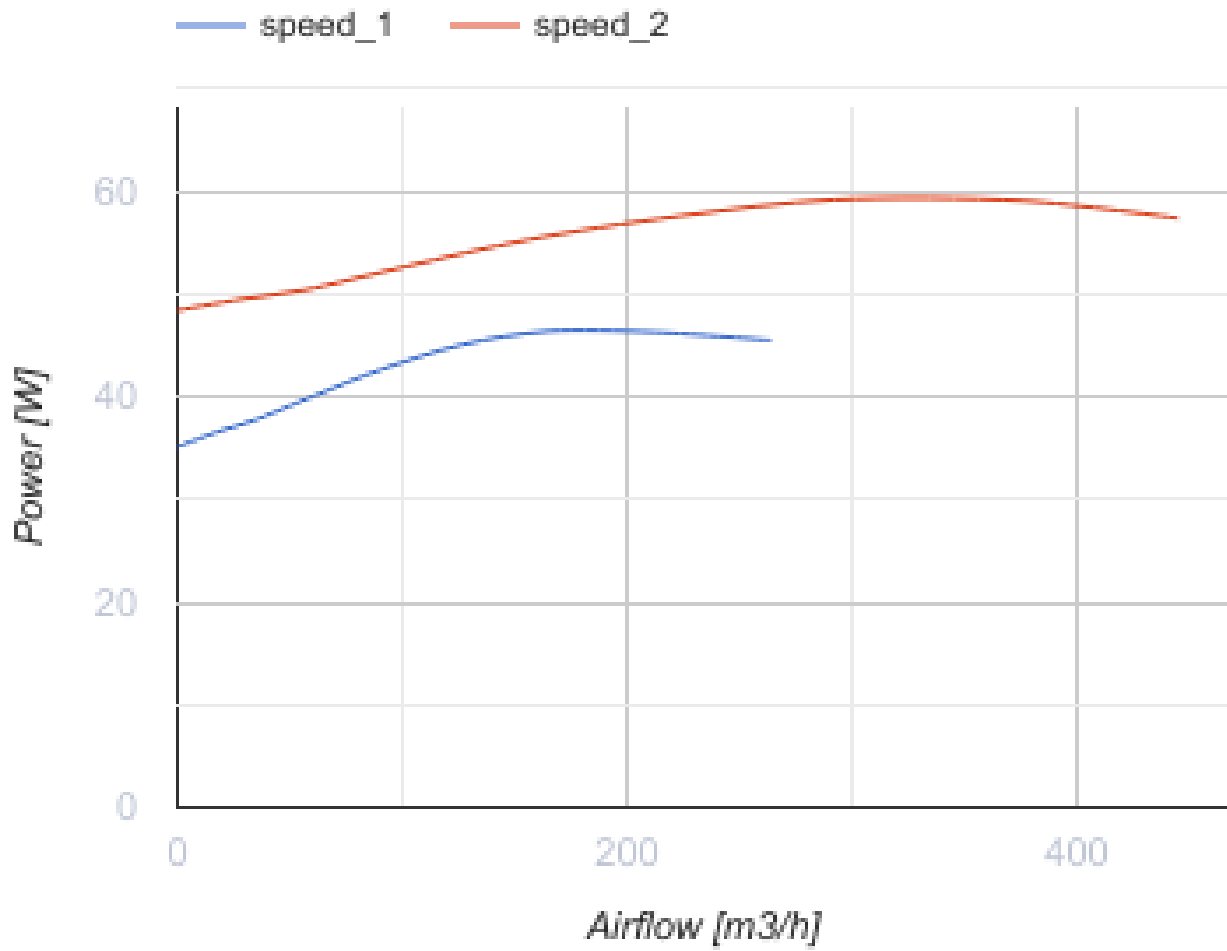


Inline centrifugal fans in plastic casing

- Maximum airflow: 445
- Sound pressure level LpA at 3 m: 40
- Motor type: AC
- Control: Built-in speed controller
- Impeller type: Centrifugal impeller with backward curved blades
- Casing material: Plastic
- Installation in any position
- Cable with mains plug

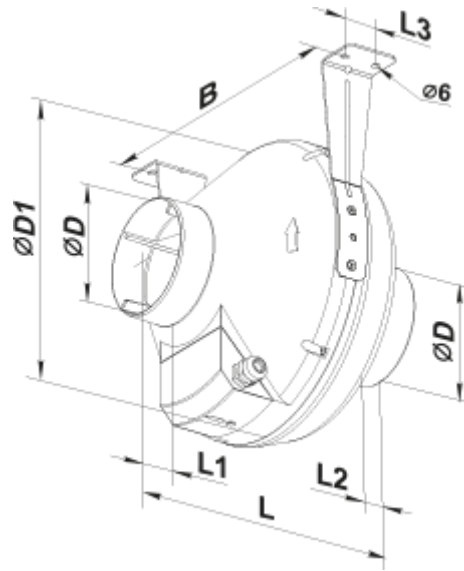
	Unit of measurement	VK 150 Duo R1V	
Connected air duct size	mm	150	
Speed	-	2	
Phases	-	1	
Minimum supply voltage	V	230	
Maximum supply voltage	V	230	
Power supply frequency	Hz	50	
Rated power	W	46	59
Unit current	A	0.22	0.26
Maximum airflow	m ³ /h	264	445
Sound pressure level LpA at 3 m	dB(A)	32	40
Weight	kg	2.45	
Transported air temperature (max)	°C	55	
Transported air temperature (min)	°C	-25	
Ingress protection rating	-	IPX4	



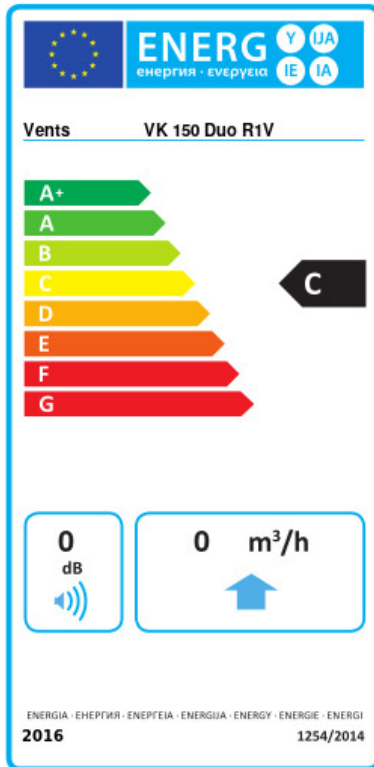


Dimensions

ØD	ØD1	B	L	L1	L2	L3
150	300	310	286	30	30	30



Ecodesign



Trademark	Vents					
Model	VK 150 Duo R1V					
Specific energy consumption (SEC) (kWh/(m ² /a))	Cold		Average		Warm	
	0	A+	0	C	0	F
Type of ventilation unit	Unidirectional					
Type of drive installed	2-speed					
Type of heat recovery system	None					
Maximum flow rate (m ³ /h)	0					
Electric power input (W)	0					
Reference flow rate (m ³ /s)	0					
Reference pressure difference (Pa)	0					
Specific power input (SPI) (W/(m ³ /h))	0					
Control typology	Local demand control					
Maximum external leakage rates (%)	0					
Declared typology	RVU UVU					
Sound power level (dB(A))	0					
The annual electricity consumption (AEC) (kWh/a)	Cold		Average		Warm	
	0		0		0	
The annual heating saved (AHS) (kWh/a)	Cold		Average		Warm	
	0		0		0	