

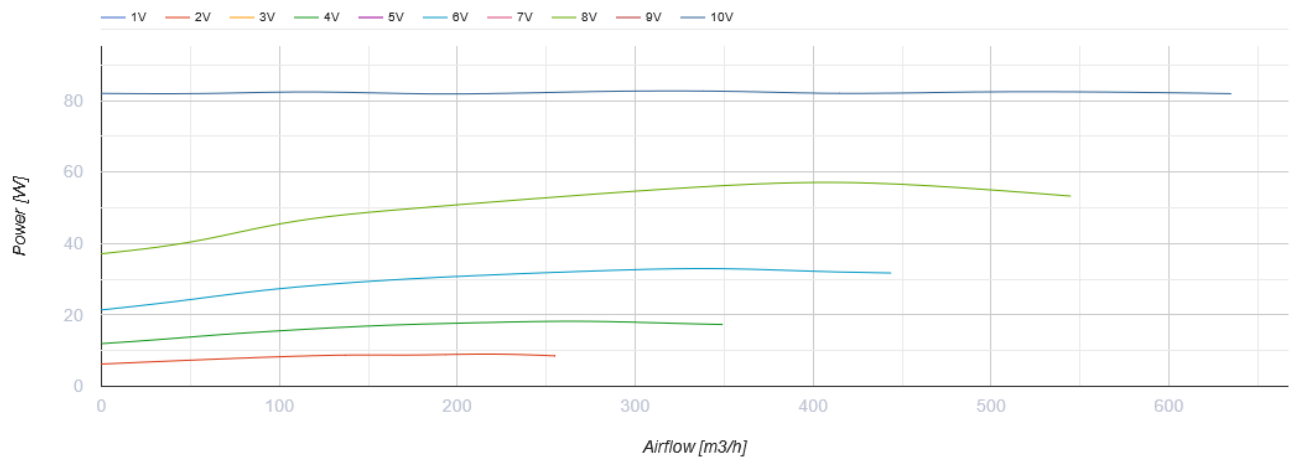
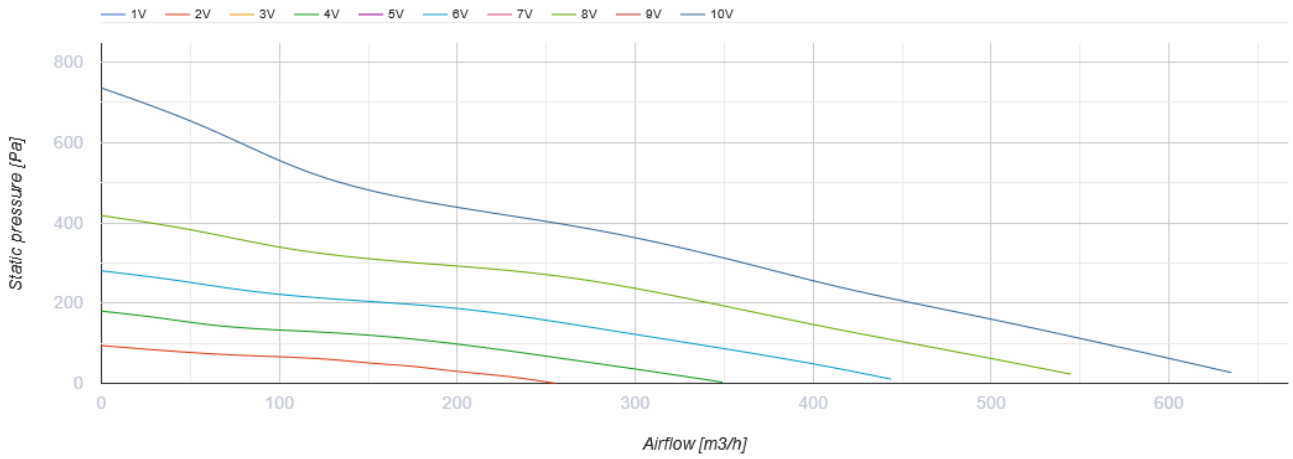
VK 150 EC



Inline centrifugal fans in plastic casing

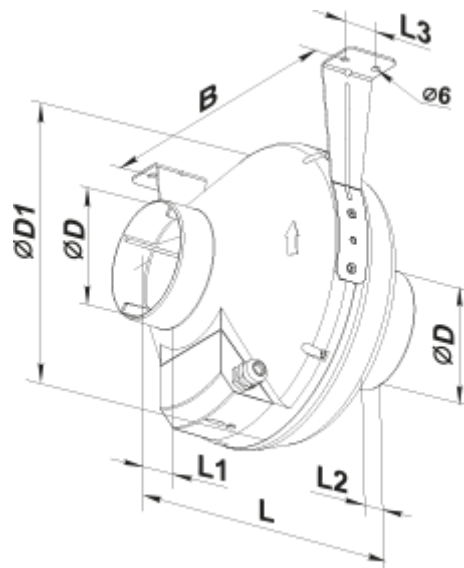
- Maximum airflow: 630
- Sound pressure level LpA at 3 m: 45
- Motor type: EC
- Impeller type: Centrifugal backward curved blades
- Casing material: Polypropylene/Thermoplastic elastomer
- Installation in any position

| | Unit of measurement | VK 150 EC |
|--|---------------------|-----------|
| Connected air duct size | mm | 160/150 |
| Speed | - | 1 |
| Minimum supply voltage | V | 230 |
| Maximum supply voltage | V | 230 |
| Power supply frequency | Hz | 50/60 |
| Rated power | W | 82 |
| Unit current | A | 0.63 |
| Maximum airflow | m ³ /h | 630 |
| Sound pressure level LpA at 3 m | dB(A) | 45 |
| Weight | kg | 2.5 |
| Transported air temperature (max) | °C | 60 |
| Transported air temperature (min) | °C | -25 |
| Ingress protection rating | - | IPX4 |
| Ingress protection rating of the drive | - | IP55 |

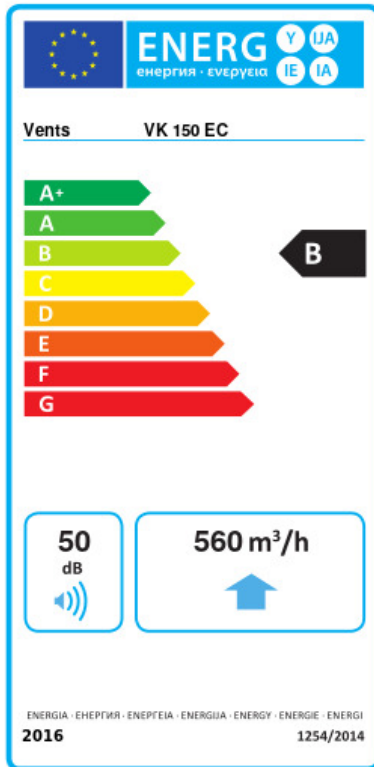


Dimensions

| ØD | ØD1 | B | L | L1 | L2 | L3 |
|-----|-----|-----|-----|----|----|----|
| 150 | 300 | 310 | 286 | 30 | 30 | 30 |



Ecodesign



| | | | | | | |
|---|----------------------|----|---------|---|-------|---|
| Trademark | Vents | | | | | |
| Model | VK 150 EC | | | | | |
| Specific energy consumption (SEC) (kWh/(m ² /a)) | Cold | | Average | | Warm | |
| | -54.3 | A+ | -27.2 | B | -11.7 | E |
| Type of ventilation unit | Unidirectional | | | | | |
| Type of drive installed | Variable speed | | | | | |
| Type of heat recovery system | None | | | | | |
| Maximum flow rate (m ³ /h) | 560 | | | | | |
| Electric power input (W) | 82 | | | | | |
| Reference flow rate (m ³ /s) | 0.108 | | | | | |
| Reference pressure difference (Pa) | 50 | | | | | |
| Specific power input (SPI) (W/(m ³ /h)) | 0.082 | | | | | |
| Control typology | Local demand control | | | | | |
| Maximum external leakage rates (%) | 2.7 | | | | | |
| Declared typology | RVU UVU | | | | | |
| Sound power level (dB(A)) | 50 | | | | | |
| The annual electricity consumption (AEC) (kWh/a) | Cold | | Average | | Warm | |
| | 43 | | 43 | | 43 | |
| The annual heating saved (AHS) (kWh/a) | Cold | | Average | | Warm | |
| | 5536 | | 2830 | | 1280 | |