

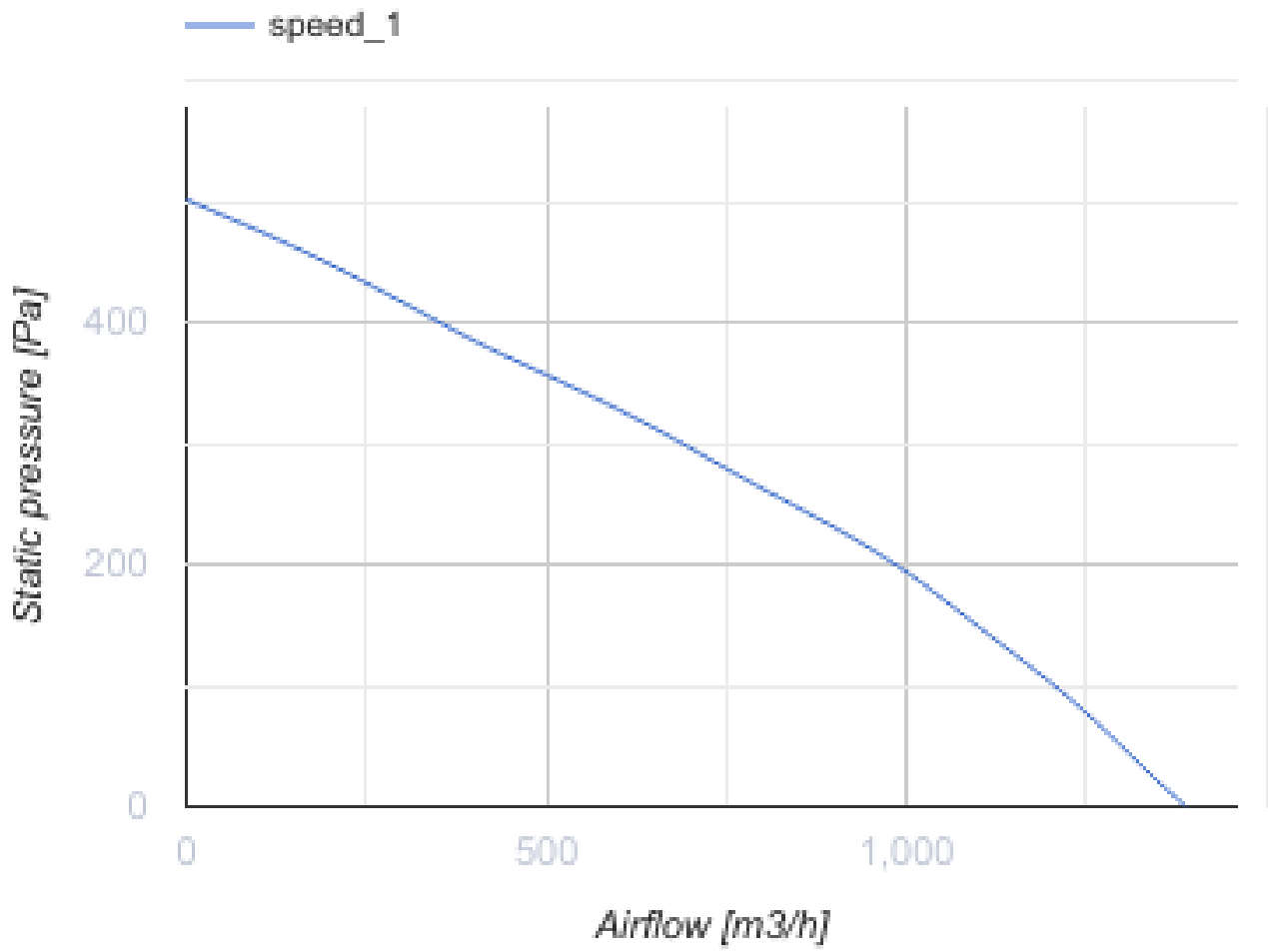
VK 315 R1

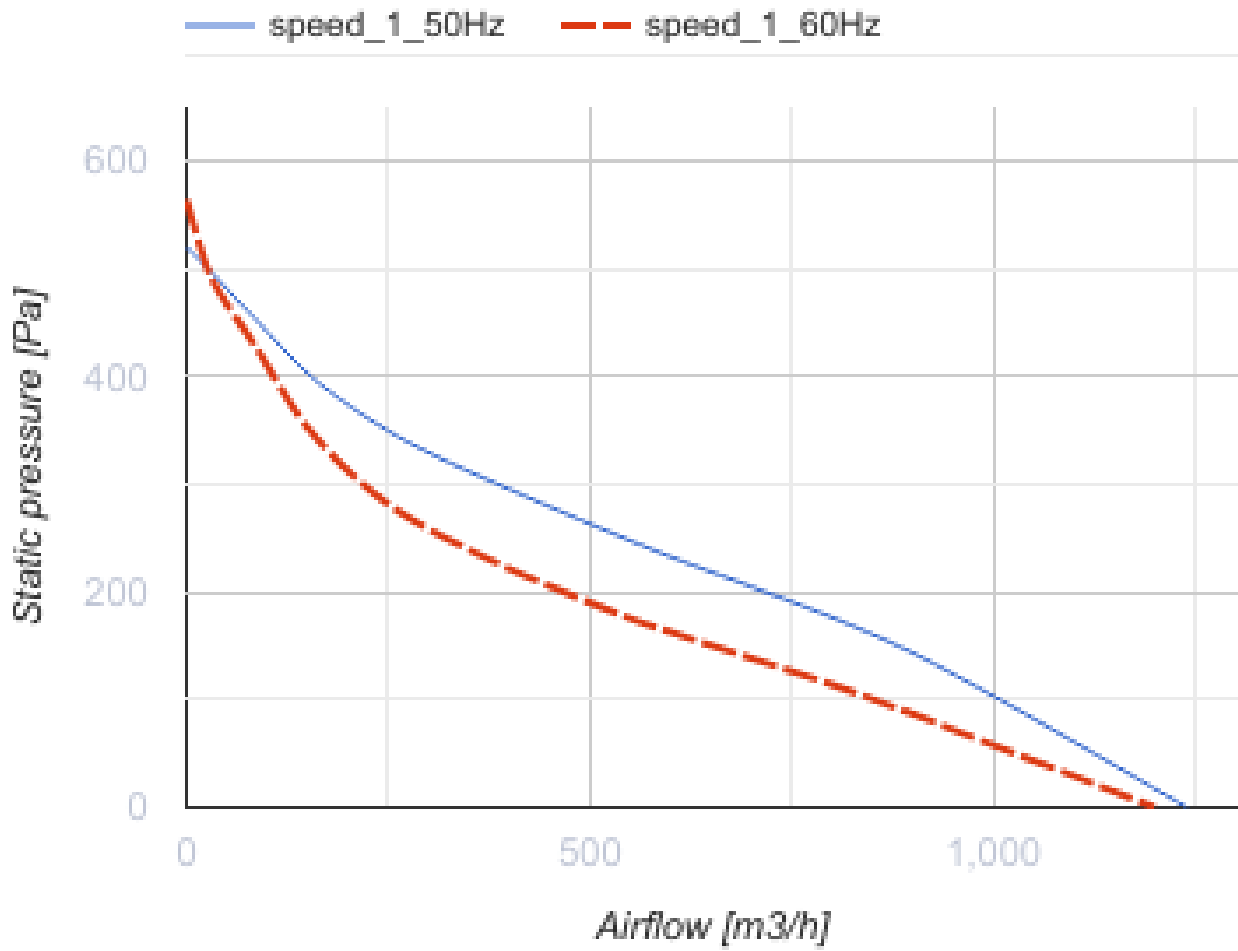


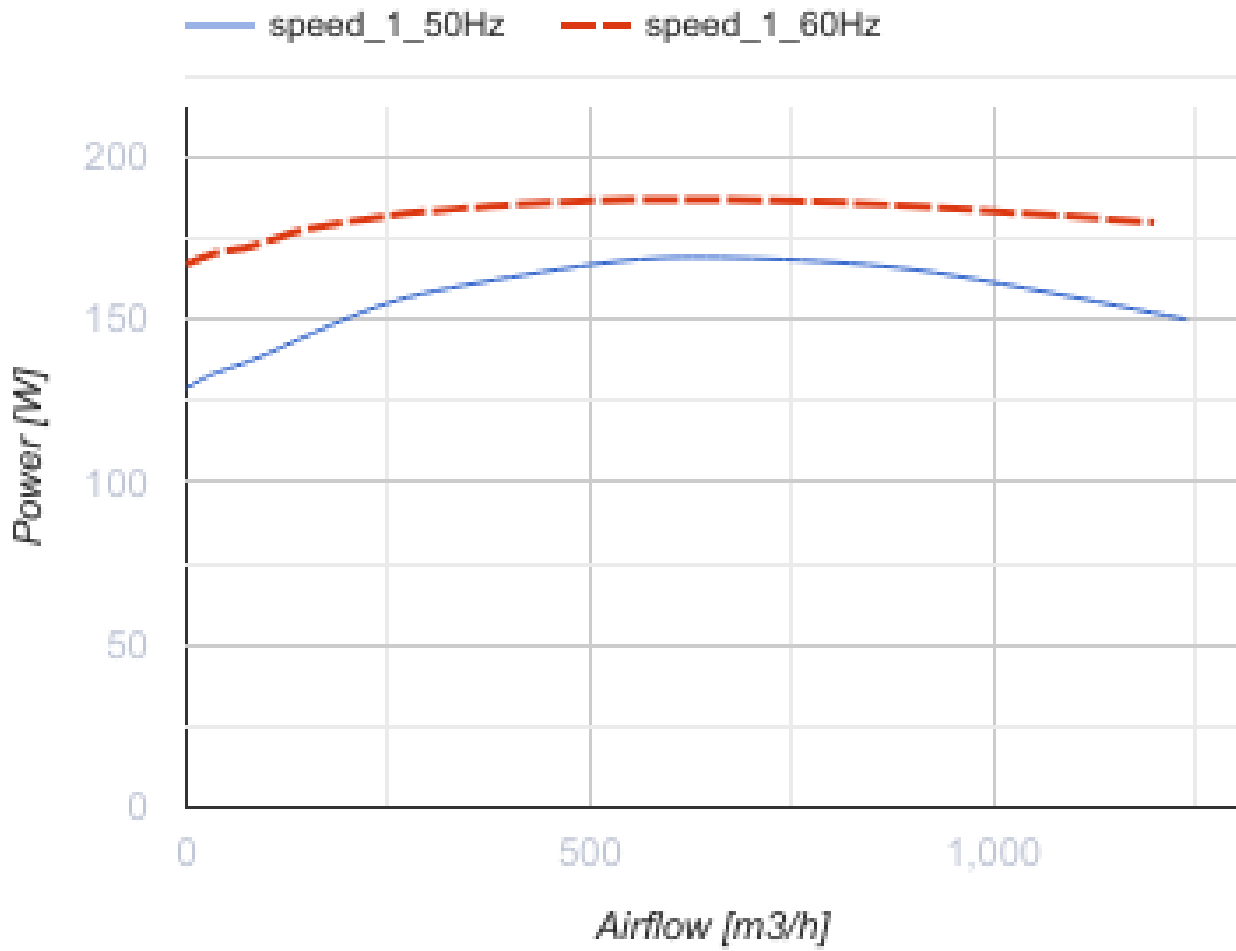
Inline centrifugal fans in plastic casing

- Maximum airflow: 1240
- Sound pressure level LpA at 3 m: 49
- Motor type: AC
- Impeller type: Centrifugal impeller with backward curved blades
- Casing material: Plastic
- Installation in any position
- Cable with mains plug

	Unit of measurement	VK 315 R1	
Connected air duct size	mm	315	
Speed	-	1	
Phases	-	1	
Minimum supply voltage	V	230	
Maximum supply voltage	V	230	
Power supply frequency	Hz	50	60
Rated power	W	169	
Unit current	A	0.74	
Maximum airflow	m ³ /h	1240	
Sound pressure level LpA at 3 m	dB(A)	49	
Weight	kg	4.85	
Transported air temperature (max)	°C	50	
Transported air temperature (min)	°C	-25	
Ingress protection rating	-	IPX4	

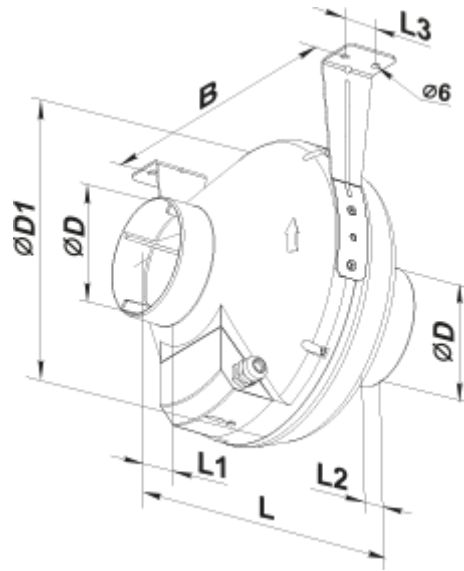






Dimensions

ØD	ØD1	B	L	L1	L2	L3
315	400	414	276	40	55	40



Ecodesign

Trademark	Vents
Model	VK 315 R1
Type of drive installed	External MSD or VSD
Type of heat recovery system	None
Nominal flow rate (m ³ /s)	0.242
Nominal external pressure (Pa)	237
Maximum external leakage rates (%)	2.7
Static efficiency (%)	30.2
Declared typology	NRVU UVU
Effective electric power input (kW)	0.194
Sound power level (dB(A))	70