

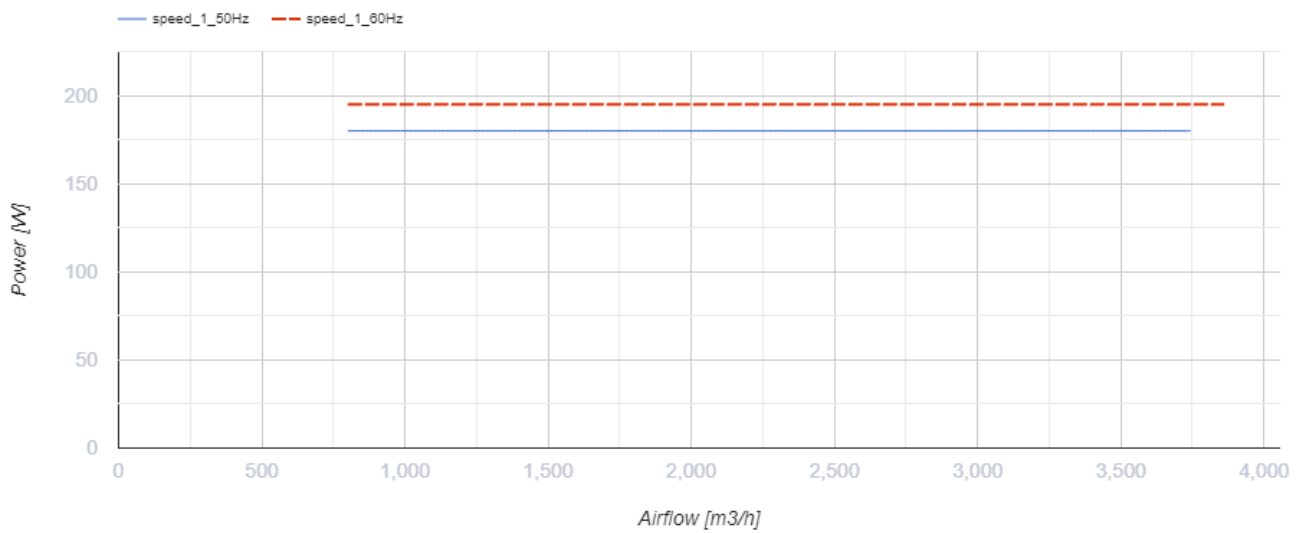
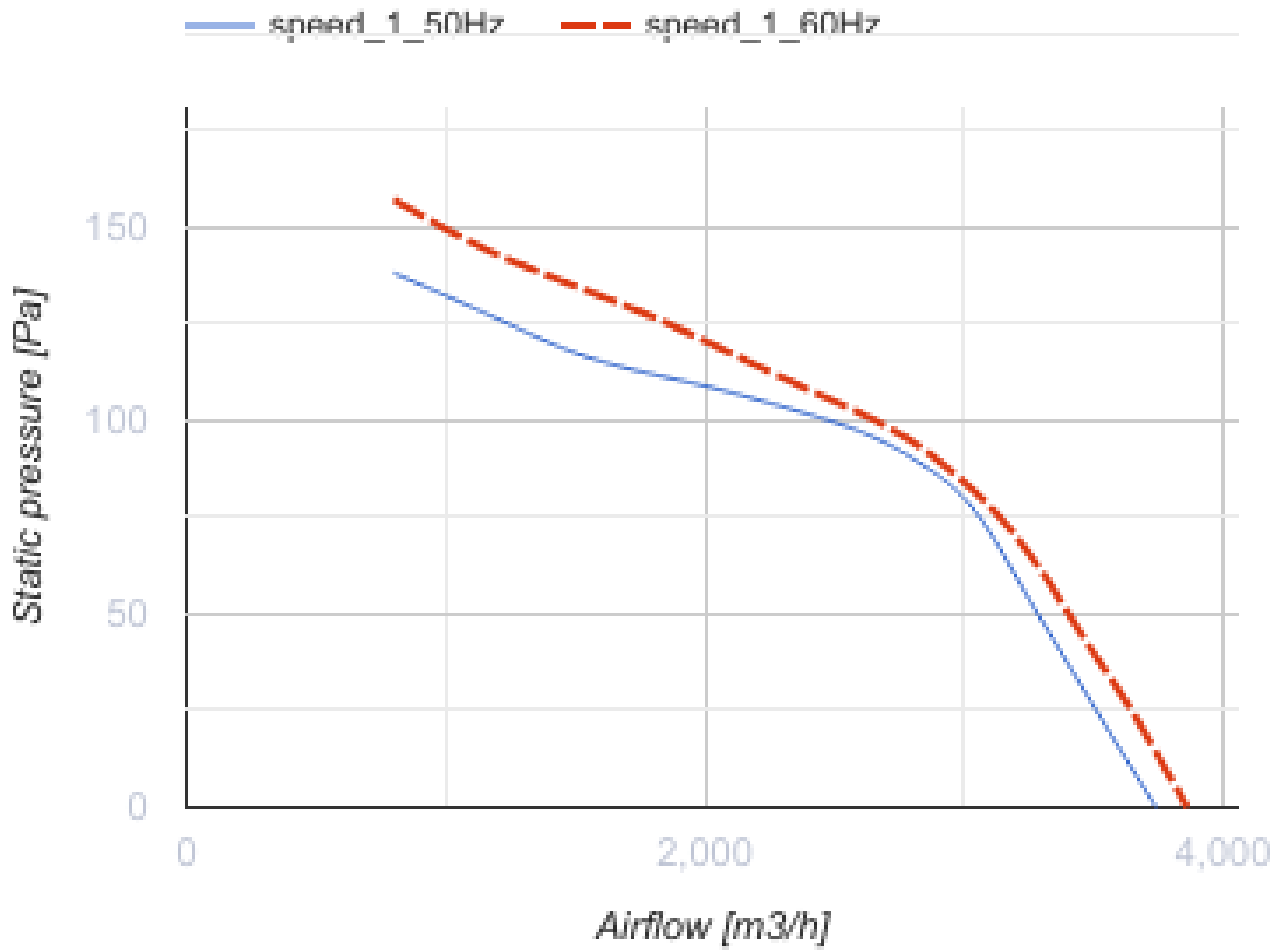
VKF 4D 400



Low pressure axial fans in the steel casing with for wall mounting

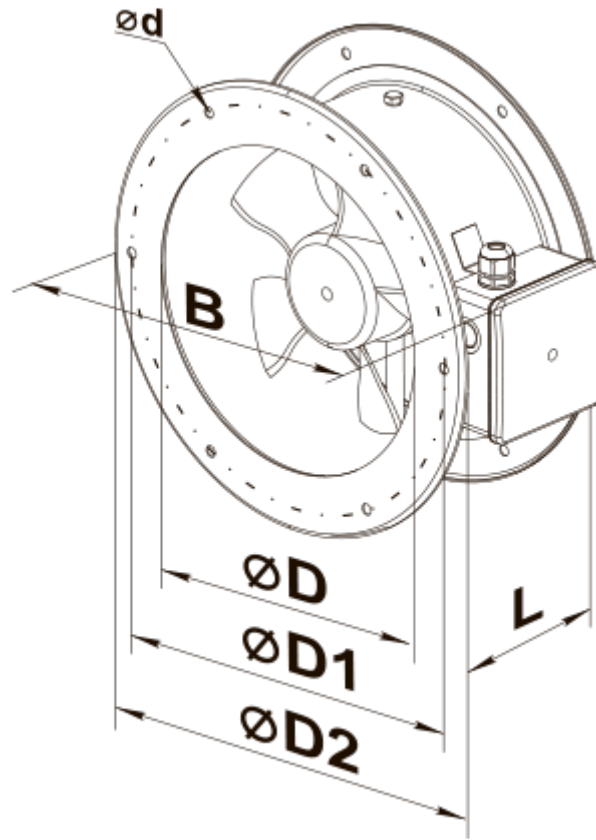
- Maximum airflow: 3740
- Sound pressure level LpA at 3 m: 54
- Motor type: AC
- Impeller type: Axial
- Casing material: Coated steel
- Installation in any position

	Unit of measurement	VKF 4D 400
Connected air duct size	mm	400
Speed	-	1
Minimum supply voltage	V	400
Maximum supply voltage	V	400
Power supply frequency	Hz	50/60
Rated power	W	180
Unit current	A	0.47
Maximum airflow	m ³ /h	3740
Sound pressure level LpA at 3 m	dB(A)	54
Weight	kg	8.1
Transported air temperature (max)	°C	60
Transported air temperature (min)	°C	-30
Ingress protection rating	-	IPX4



Dimensions

$\varnothing D$	$\varnothing D1$	$\varnothing D2$	$\varnothing d$	B	L
412	438	465	9.5	500	170



Ecodesign

Trademark	Vents
Model	VKF 4D 400
Type of drive installed	External MSD or VSD
Type of heat recovery system	None
Nominal flow rate (m ³ /s)	0.78
Nominal external pressure (Pa)	90
Maximum external leakage rates (%)	2.7
Static efficiency (%)	34.3
Declared typology	NRVU UVU
Sound power level (dB(A))	84
Effective electric power input (kW)	0.209