

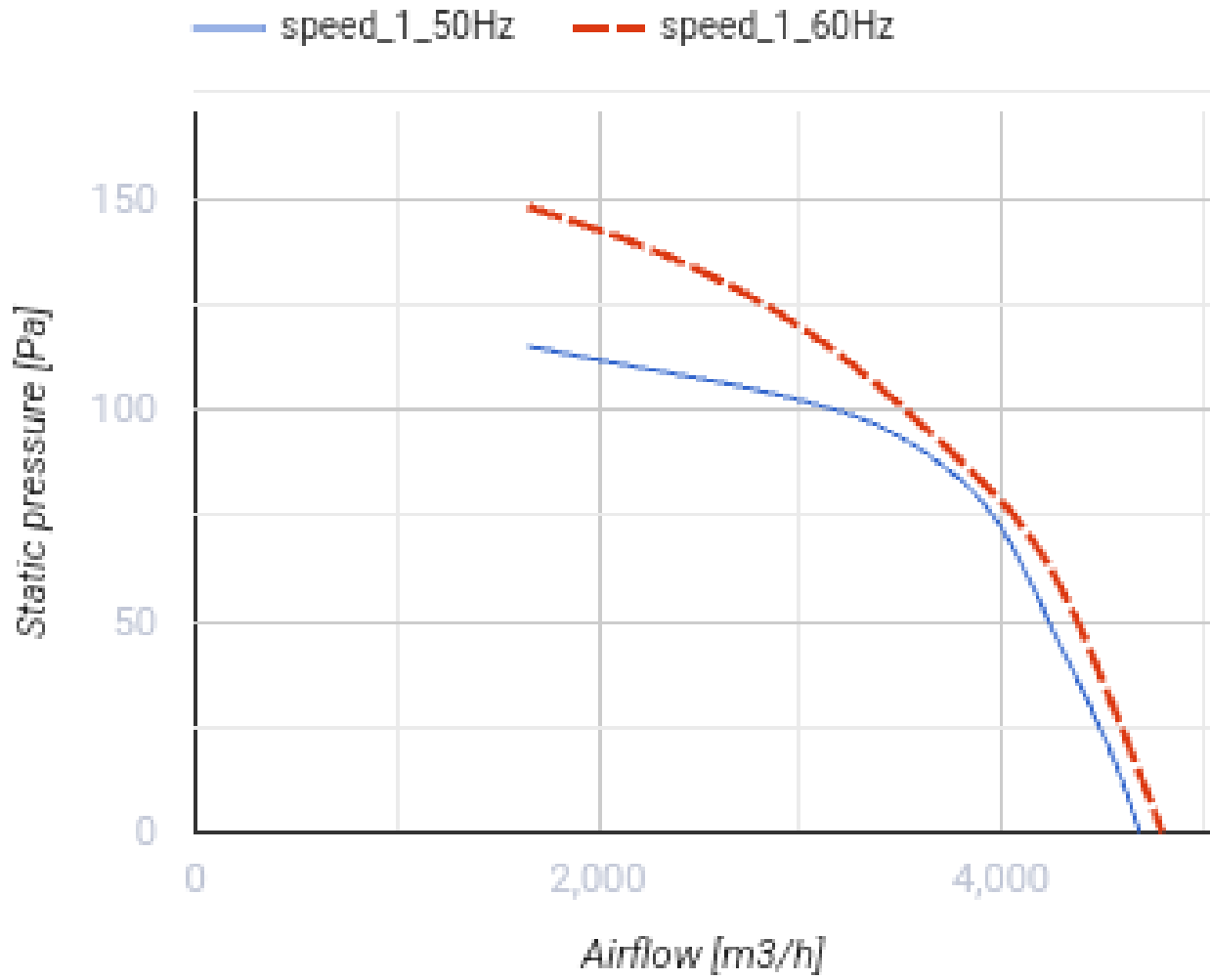
VKF 4E 450

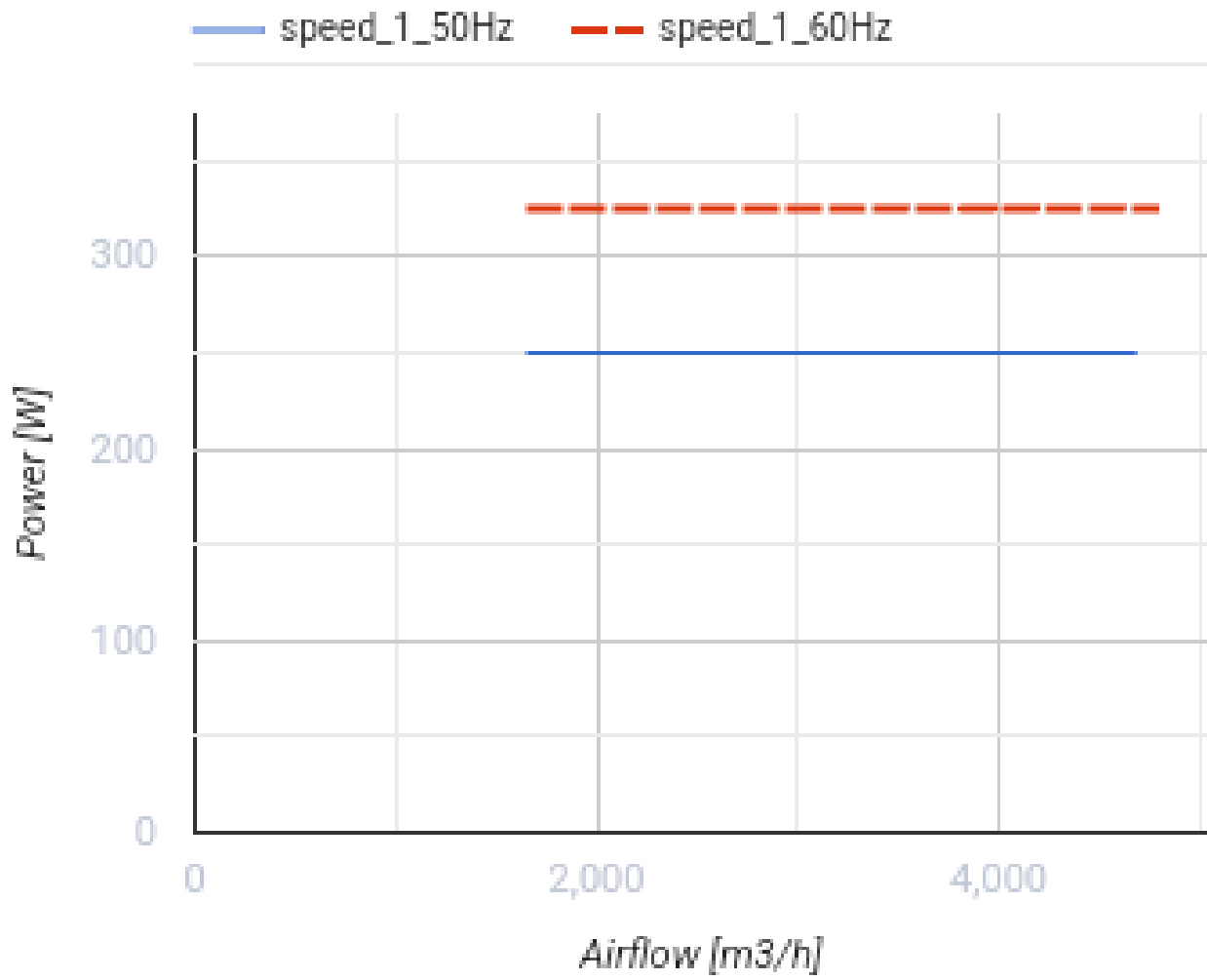


Low pressure axial fans in the steel casing with for wall mounting

- Maximum airflow: 4680
- Sound pressure level LpA at 3 m: 56
- Motor type: AC
- Impeller type: Axial
- Casing material: Coated steel
- Installation in any position

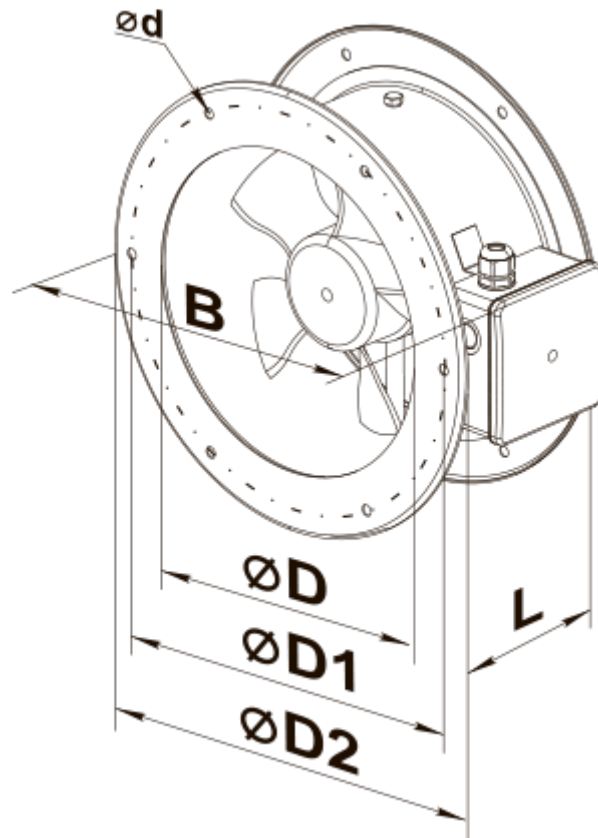
	Unit of measurement	VKF 4E 450
Connected air duct size	mm	450
Speed	-	1
Minimum supply voltage	V	220
Maximum supply voltage	V	240
Power supply frequency	Hz	50/60
Rated power	W	250
Unit current	A	1.2
Maximum airflow	m ³ /h	4680
Sound pressure level LpA at 3 m	dB(A)	56
Weight	kg	9.1
Transported air temperature (max)	°C	60
Transported air temperature (min)	°C	-30
Ingress protection rating	-	IPX4





Dimensions

ØD	ØD1	ØD2	Ød	B	L
462	487	515	9.5	550	200



Ecodesign

Trademark	Vents
Model	VKF 4E 450
Type of drive installed	External MSD or VSD
Type of heat recovery system	None
Nominal flow rate (m ³ /s)	1.003
Nominal external pressure (Pa)	90
Maximum external leakage rates (%)	2.7
Static efficiency (%)	32
Declared typology	NRVU UVU
Sound power level (dB(A))	84
Effective electric power input (kW)	0.288