

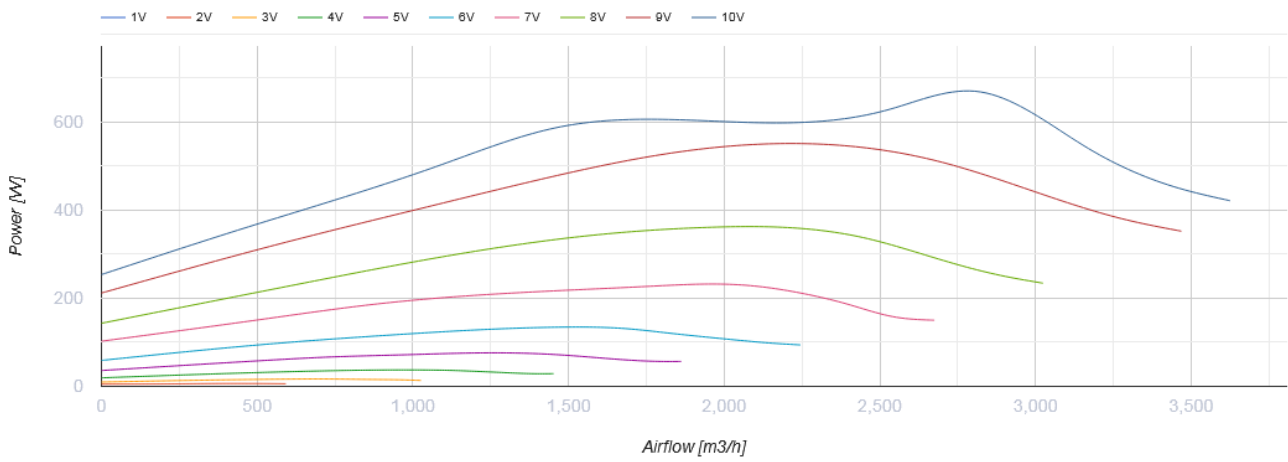
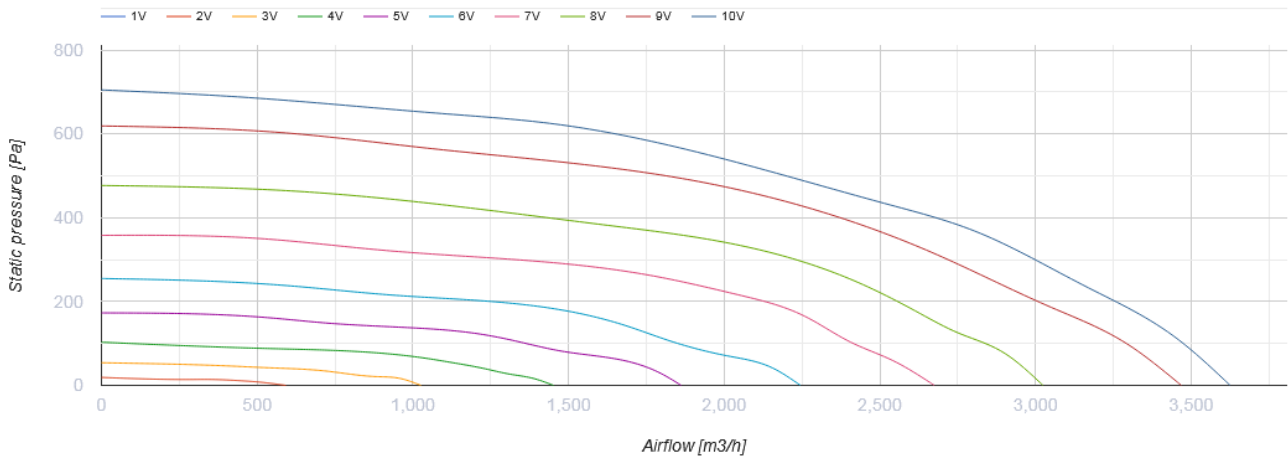
VKH 355 EC



Roof exhaust centrifugal fans with horizontal air exhaust

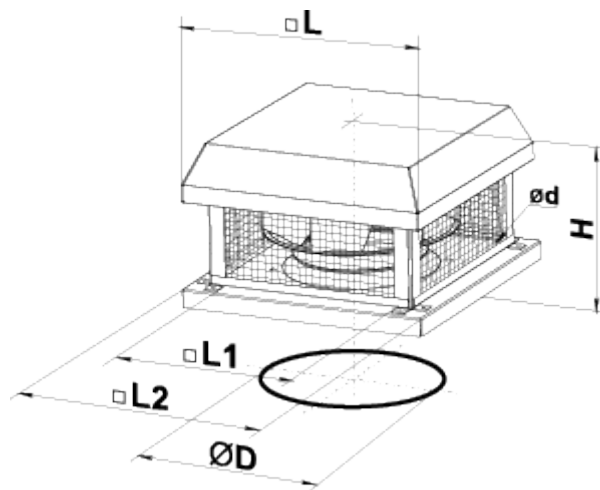
- Maximum airflow: 3830
- Sound pressure level LpA at 3 m: 51
- Motor type: EC
- Impeller type: Centrifugal backward curved blades
- Casing material: Polypropylene/Thermoplastic elastomer

	Unit of measurement	VKH 355 EC
Speed	-	1
Minimum supply voltage	V	230
Maximum supply voltage	V	230
Power supply frequency	Hz	50/60
Rated power	W	669
Unit current	A	4.95
Maximum airflow	m ³ /h	3830
Sound pressure level LpA at 3 m	dB(A)	51
Weight	kg	27
Transported air temperature (max)	°C	50
Transported air temperature (min)	°C	-25
Ingress protection rating	-	IPX4
Ingress protection rating of the drive	-	IP54



Dimensions

$\varnothing D$	$\varnothing d$	H	L	L1	L2
438	11	322	625	450	620



Ecodesign

Trademark	Vents
Model	VKH 355 EC
Type of drive installed	Integrated VSD
Type of heat recovery system	None
Nominal flow rate (m ³ /s)	0.907
Nominal external pressure (Pa)	534
Maximum external leakage rates (%)	2.7
Static efficiency (%)	57.3
Declared typology	NRVU UVU
Effective electric power input (kW)	0.94
Sound power level (dB(A))	71