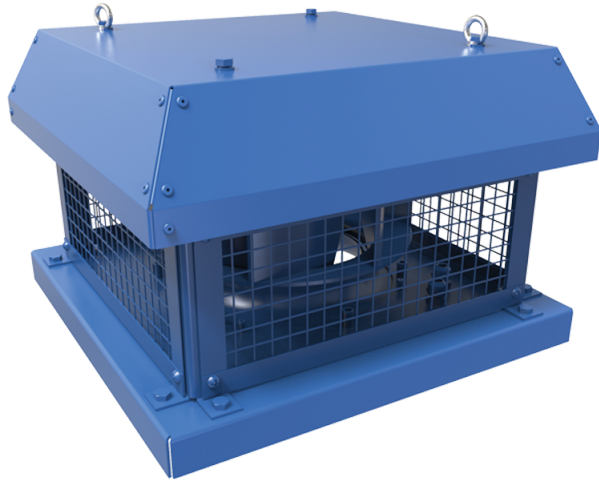


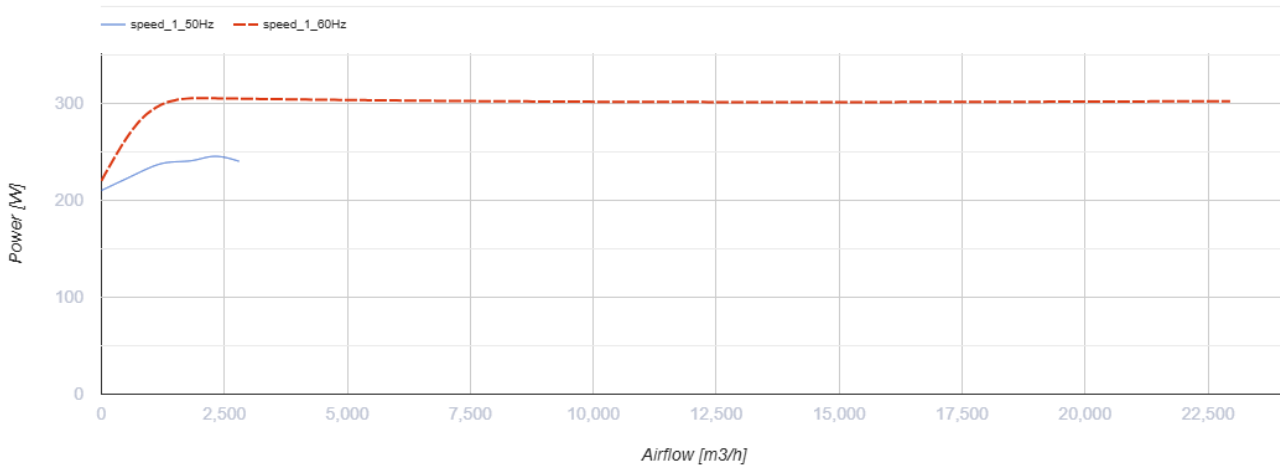
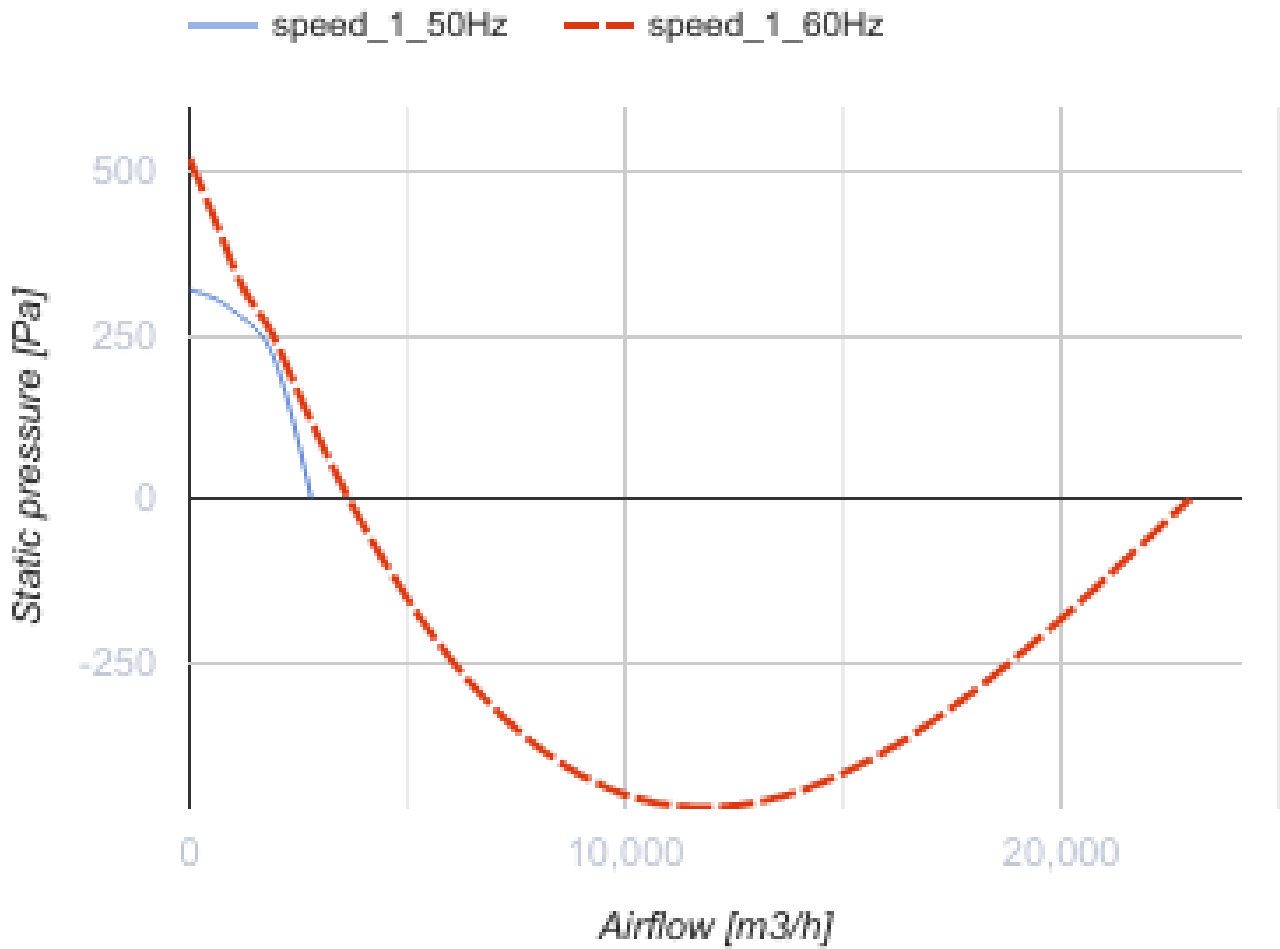
VKH 4E 355



Centrifugal roof fans with horizontal air exhaust

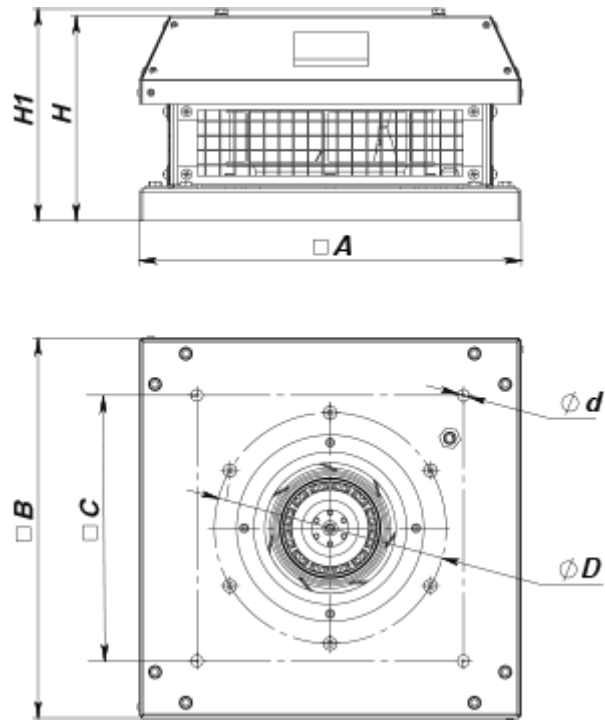
- Maximum airflow: 2480
- Sound pressure level LpA at 3 m: 51
- Motor type: AC
- Impeller type: Centrifugal backward curved blades
- Casing material: Polypropylene/Thermoplastic elastomer

	Unit of measurement	VKH 4E 355
Speed	-	1
Minimum supply voltage	V	230
Maximum supply voltage	V	230
Power supply frequency	Hz	50/60
Rated power	W	219
Unit current	A	0.96
Maximum airflow	m ³ /h	2480
Sound pressure level LpA at 3 m	dB(A)	51
Weight	kg	28.3
Transported air temperature (max)	°C	50
Transported air temperature (min)	°C	-25
Ingress protection rating	-	IPX4
Ingress protection rating of the drive	-	IP54



Dimensions

H	H1	A	B	C	Ød	ØD
322	361	625	620	450	11	438



Ecodesign

Trademark	Vents
Model	VKH 4E 355
Type of drive installed	External MSD or VSD
Type of heat recovery system	None
Nominal flow rate (m ³ /s)	0.382
Nominal external pressure (Pa)	264
Maximum external leakage rates (%)	2.7
Static efficiency (%)	46
Declared typology	NRVU UVU
Effective electric power input (kW)	0.224
Sound power level (dB(A))	66