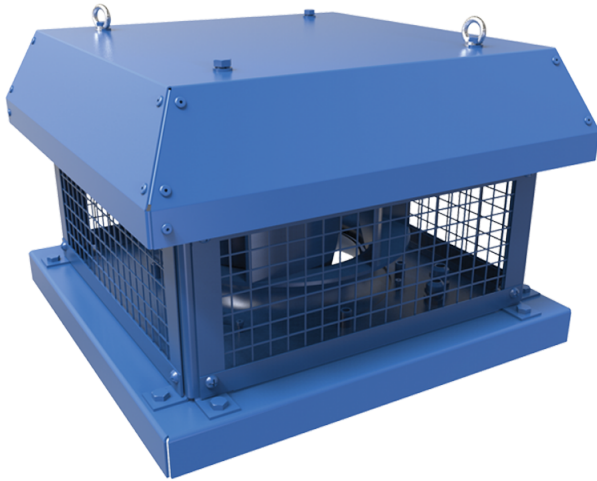


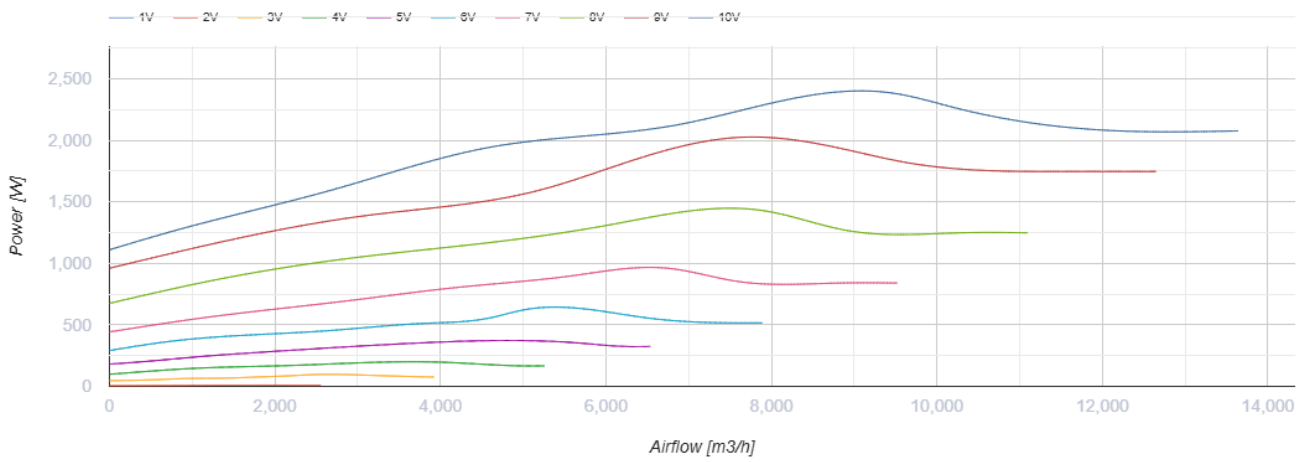
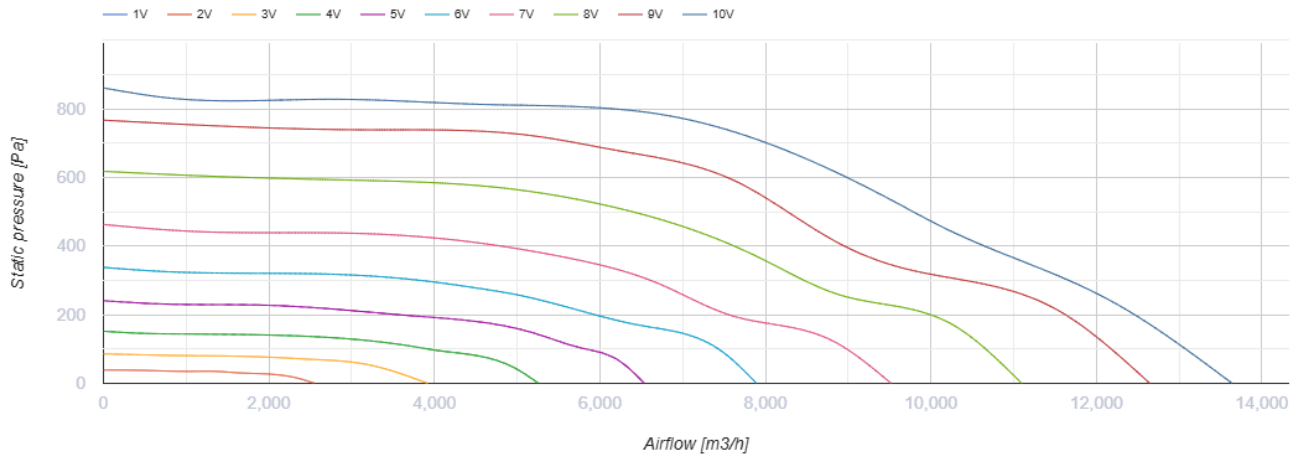
# VKH 560 EC



Roof exhaust centrifugal fans with horizontal air exhaust

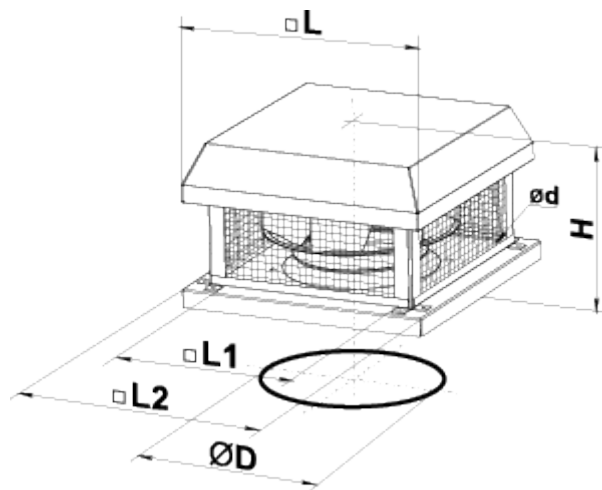
- Maximum airflow: 13640
- Sound pressure level LpA at 3 m: 69
- Motor type: EC
- Impeller type: Centrifugal backward curved blades
- Casing material: Polypropylene/Thermoplastic elastomer

	Unit of measurement	VKH 560 EC
Speed	-	1
Minimum supply voltage	V	400
Maximum supply voltage	V	400
Power supply frequency	Hz	50/60
Rated power	W	2412
Unit current	A	3.83
Maximum airflow	m <sup>3</sup> /h	13640
Sound pressure level LpA at 3 m	dB(A)	69
Weight	kg	71
Transported air temperature (max)	°C	60
Transported air temperature (min)	°C	-25
Ingress protection rating	-	IPX4
Ingress protection rating of the drive	-	IP54



## Dimensions

ØD	Ød	H	L	L1	L2
605	14	489	900	750	895



## Ecodesign

Trademark	Vents
Model	VKH 560 EC
Type of drive installed	Integrated VSD
Type of heat recovery system	None
Nominal flow rate (m <sup>3</sup> /s)	2.494
Nominal external pressure (Pa)	499
Maximum external leakage rates (%)	2.7
Static efficiency (%)	62.9
Declared typology	NRVU UVU
Effective electric power input (kW)	2.15
Sound power level (dB(A))	85