

VKHC 280 EC



Roof exhaust centrifugal fans with horizontal air exhaust

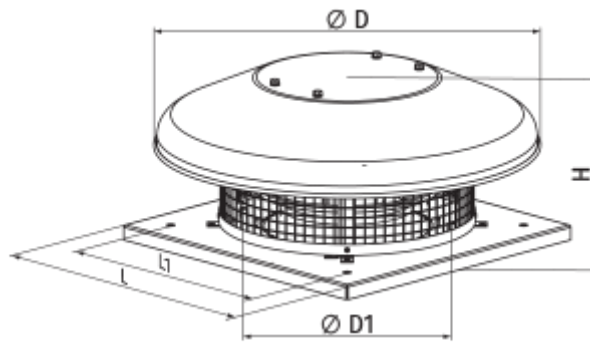
- Maximum airflow: 2400
- Sound pressure level LpA at 3 m: 48
- Motor type: EC
- Impeller type: Centrifugal backward curved blades
- Casing material: Coated steel

	Unit of measurement	VKHC 280 EC
Speed	-	1
Phases	-	1
Minimum supply voltage	V	230
Maximum supply voltage	V	230
Power supply frequency	Hz	50/60
Rated power	W	195
Unit current	A	1.53
Maximum airflow	m ³ /h	2400
rotation speed at 50hz	-	2610
Sound pressure level LpA at 3 m	dB(A)	48
Weight	kg	10
Transported air temperature (max)	°C	60
Transported air temperature (min)	°C	-25
Ingress protection rating	-	IPX4
Ingress protection rating of the drive	-	IP55
ErP compliance	-	2016, 2018
Unit category	-	NRVU
Type of drive installed	-	Integrated VSD
Type of heat recovery system	-	None
Nominal flow rate	m ³ /s	0.248
Nominal external pressure	Pa	336

Maximum external leakage rates	%	2.7
Static efficiency	%	60.1
Effective electric power input	kW	0.162
Sound power level	dB(A)	67
Declared typology	-	NRVU UVU

Dimensions

H	ØD	ØD1	L	L1
254	623	285	420	330



Accessories

Speed controllers

Name	Photo	Description
R-1/010		Speed controller for EC motors