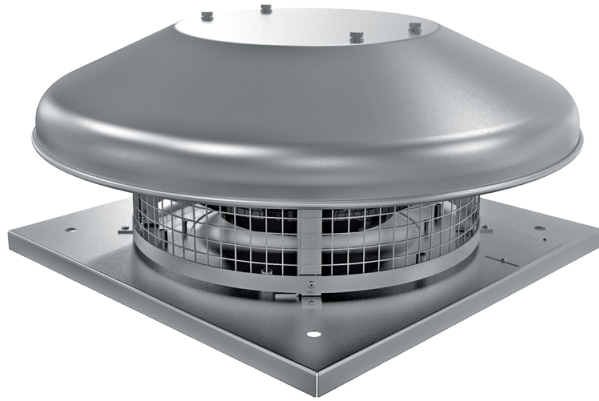


VKHCA 225 EC

Roof exhaust centrifugal fans with horizontal air exhaust

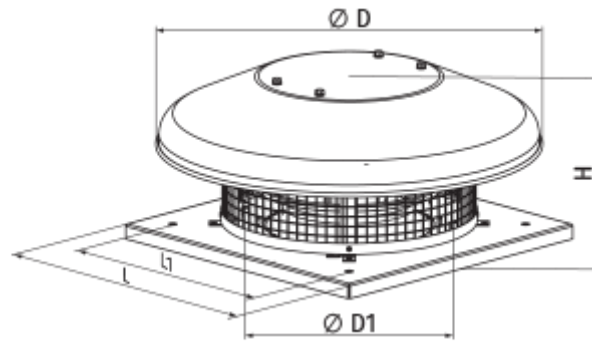
- Maximum airflow: 1350
- Sound pressure level LpA at 3 m: 47
- Motor type: EC
- Impeller type: Centrifugal backward curved blades
- Casing material: Aluminium



	Unit of measurement	VKHCA 225 EC
Speed	-	1
Phases	-	1
Minimum supply voltage	V	230
Maximum supply voltage	V	230
Power supply frequency	Hz	50/60
Rated power	W	95
Unit current	A	0.8
Maximum airflow	m ³ /h	1350
Sound pressure level LpA at 3 m	dB(A)	47
Weight	kg	7
Transported air temperature (max)	°C	60
Transported air temperature (min)	°C	-25
Ingress protection rating	-	IPX4
Ingress protection rating of the drive	-	IP55


Dimensions

H	ØD	ØD1	L	L1
193	503	210	330	245



Accessories

Speed controllers

Name	Photo	Description
R-1/010		Speed controller for EC motors