

# VKHCA 280 EC



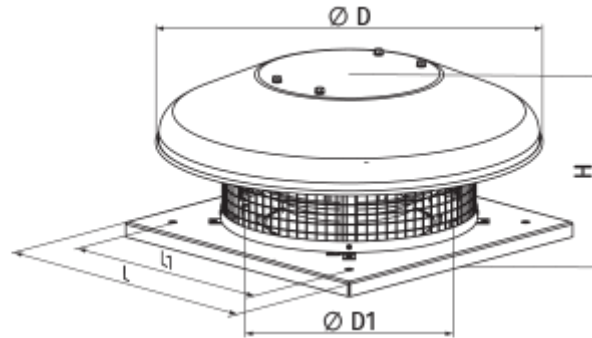
Roof exhaust centrifugal fans with horizontal air exhaust

- Maximum airflow: 2400
- Sound pressure level LpA at 3 m: 48
- Motor type: EC
- Impeller type: Centrifugal backward curved blades
- Casing material: Aluminium

	Unit of measurement	VKHCA 280 EC
Speed	-	1
Phases	-	1
Minimum supply voltage	V	230
Maximum supply voltage	V	230
Power supply frequency	Hz	50/60
Rated power	W	195
Unit current	A	1.53
Maximum airflow	m <sup>3</sup> /h	2400
rotation speed at 50hz	-	2610
Sound pressure level LpA at 3 m	dB(A)	48
Weight	kg	10
Transported air temperature (max)	°C	60
Transported air temperature (min)	°C	-25
Ingress protection rating	-	IPX4
Ingress protection rating of the drive	-	IP55

## Dimensions

H	ØD	ØD1	L	L1
254	623	285	420	330



## Accessories

### Speed controllers

Name	Photo	Description
<a href="#">R-1/010</a>		Speed controller for EC motors

## Ecodesign

Trademark	Vents
Model	VKHCA 280 EC
Type of drive installed	Integrated VSD
Type of heat recovery system	None
Nominal flow rate (m <sup>3</sup> /s)	0.248
Nominal external pressure (Pa)	336
Maximum external leakage rates (%)	2.7
Static efficiency (%)	60.1
Effective electric power input (kW)	0.162
Sound power level (dB(A))	67
Declared typology	NRVU UVU