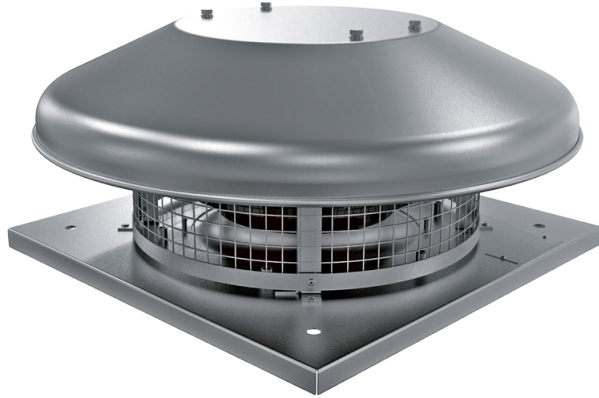


VKHCA 4D 310

Centrifugal roof fans with horizontal air exhaust

- Maximum airflow: 2300
- Sound pressure level LpA at 3 m: 47
- Motor type: AC
- Impeller type: Centrifugal backward curved blades
- Casing material: Aluminium

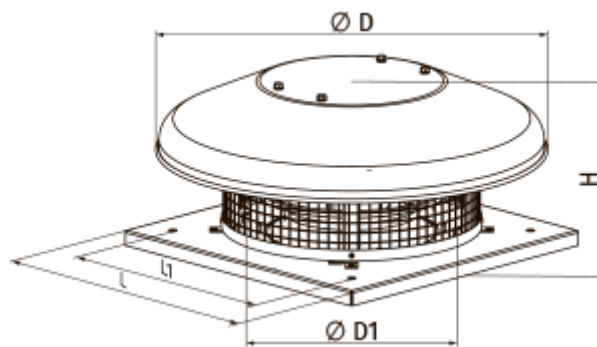


	Unit of measurement	VKHCA 4D 310	
Speed	-	1	
Phases	-	3	
Minimum supply voltage	V	400	
Maximum supply voltage	V	400	
Power supply frequency	Hz	50	60
Rated power	W	155	
Unit current	A	0.29	
Maximum airflow	m ³ /h	2300	
rotation speed at 50hz	-	1410	
Sound pressure level LpA at 3 m	dB(A)	47	
Weight	kg	11	
Transported air temperature (max)	°C	50	
Transported air temperature (min)	°C	-25	
Ingress protection rating	-	IPX4	
Ingress protection rating of the drive	-	IP44	
ErP compliance	-	2016, 2018	
Unit category	-	NRVU	
Type of drive installed	-	Integrated VSD	
Type of heat recovery system	-	None	
Nominal flow rate	m ³ /s	0.131	
Nominal external pressure	Pa	99	

Maximum external leakage rates	%	2.7
Static efficiency	%	33.2
Effective electric power input	kW	0.047
Sound power level	dB(A)	58
Declared typology	-	NRVU UVU







Dimensions






H	ØD	ØD1	L	L1
277	623	285	420	330



Accessories

Speed controllers

Name	Photo	Description
RSA5D-1,5-T		Three phase speed controller
RSA5D-3,5-T		Three phase speed controller
RSA5D-1,5-M		Three phase speed controller
RSA5D-2,5-M		Three phase speed controller
RSA5D-6,0-M		Three phase speed controller
RSA5D-8,0-M		Three phase speed controller

RSA5D-11,0-M		Three phase speed controller
RSA5D-12,0-M		Three phase speed controller
RS-3,0-T		Applied in ventilation systems for speed switching ON/OFF and speed control of single-phase power-controlled motors
RS-5,0-T		Applied in ventilation systems for speed switching ON/OFF and speed control of single-phase power-controlled motors
RS-10,0-T		Applied in ventilation systems for speed switching ON/OFF and speed control of single-phase power-controlled motors