

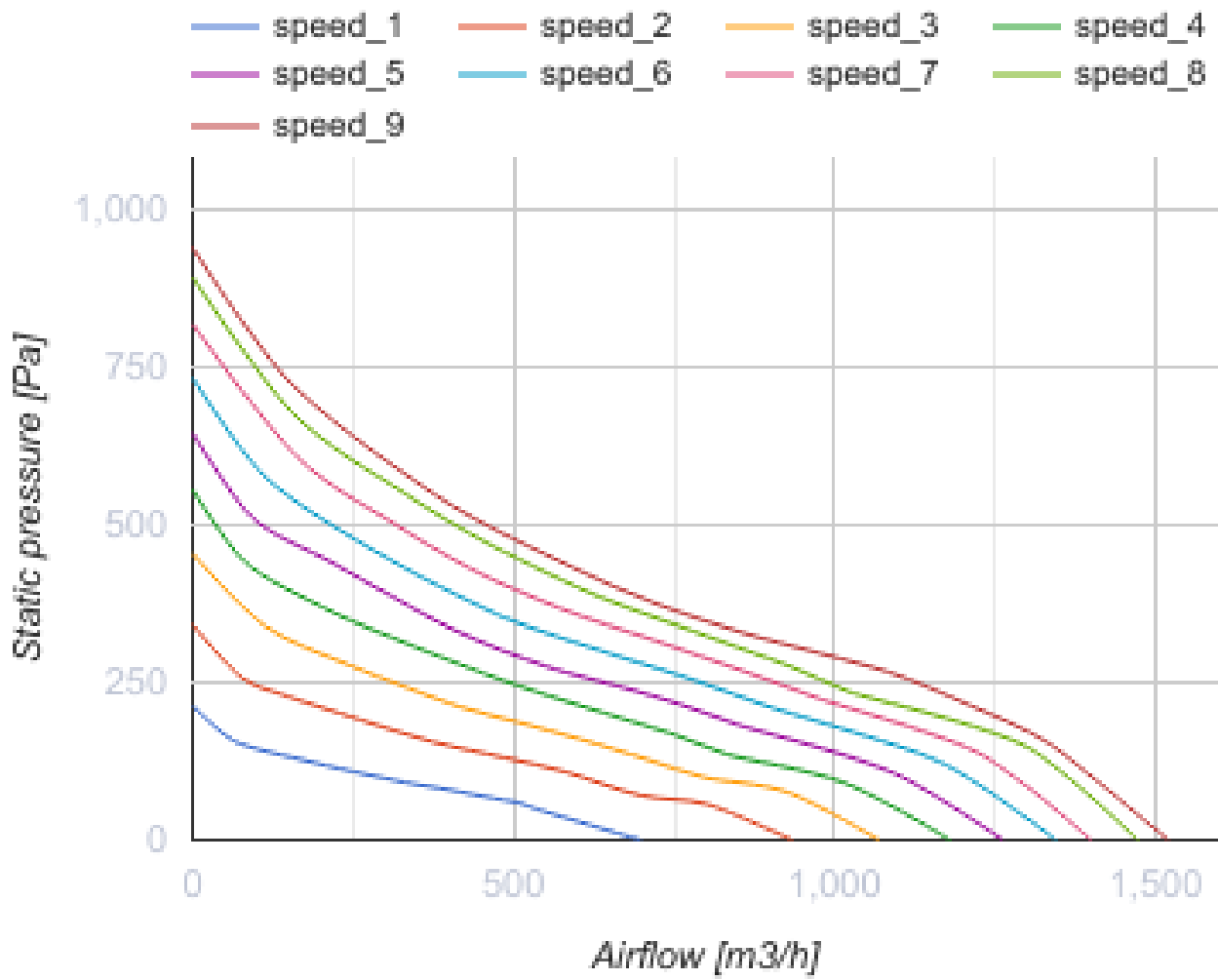
VKHz 250 EC

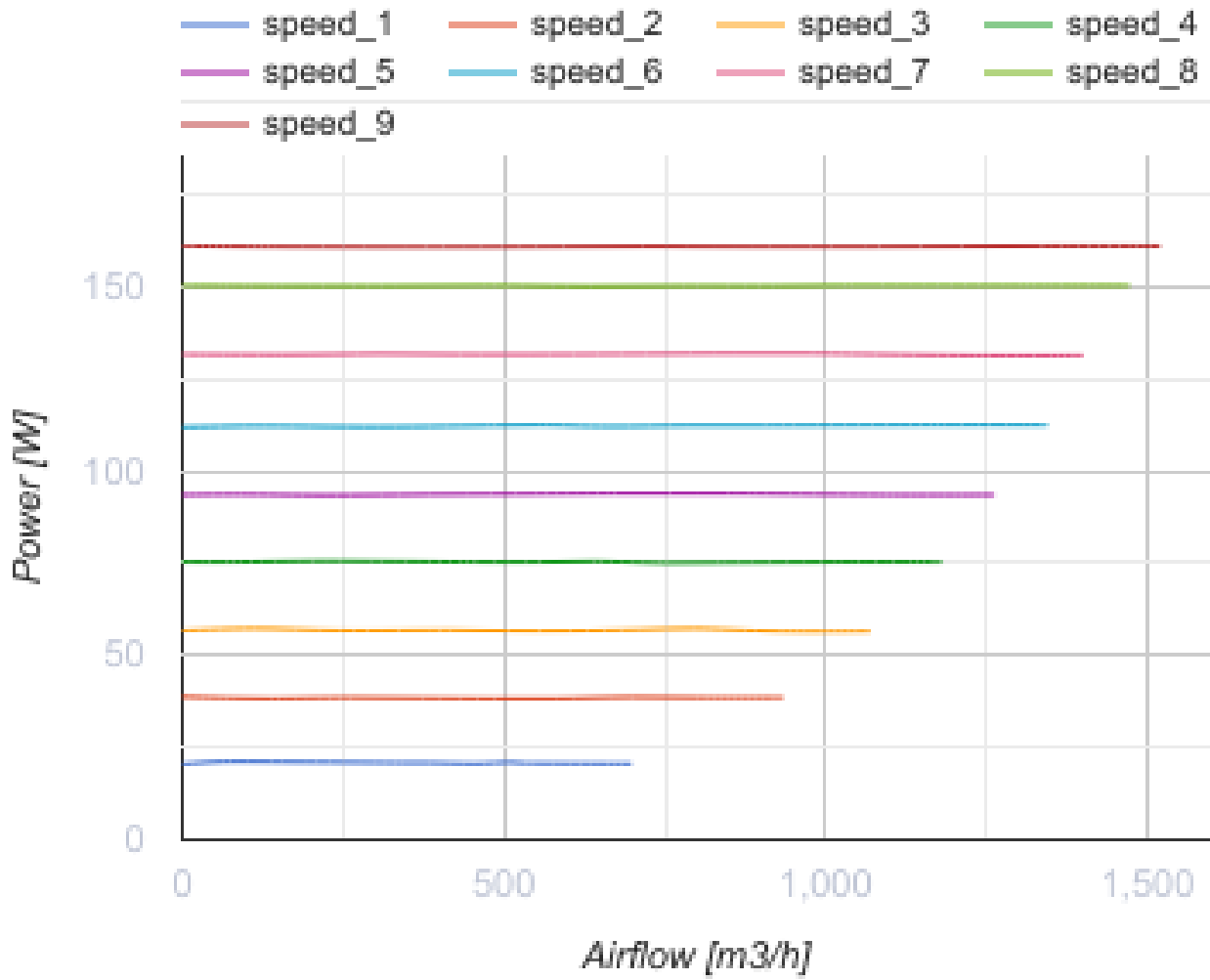


Roof exhaust centrifugal fans with horizontal air exhaust

- Maximum airflow: 1470
- Sound pressure level LpA at 3 m: 54
- Motor type: EC
- Impeller type: Centrifugal backward curved blades
- Casing material: Galvanized steel

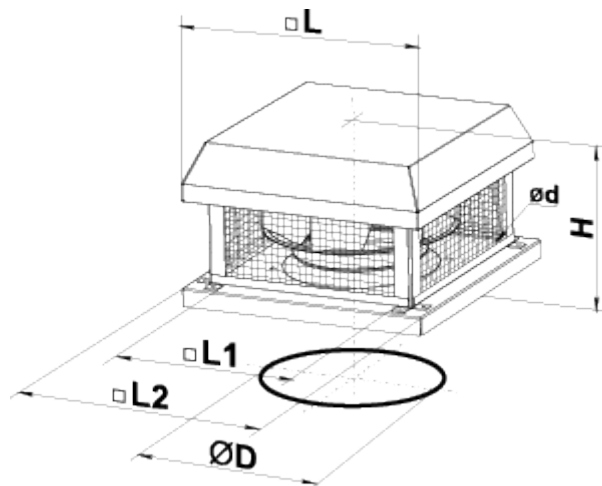
| | Unit of measurement | VKHz 250 EC |
|--|---------------------|-------------|
| Speed | - | 1 |
| Minimum supply voltage | V | 230 |
| Maximum supply voltage | V | 230 |
| Power supply frequency | Hz | 50/60 |
| Rated power | W | 161 |
| Unit current | A | 1.29 |
| Maximum airflow | m ³ /h | 1470 |
| Sound pressure level LpA at 3 m | dB(A) | 54 |
| Weight | kg | 13 |
| Transported air temperature (max) | °C | 60 |
| Transported air temperature (min) | °C | -25 |
| Ingress protection rating | - | IPX4 |
| Ingress protection rating of the drive | - | IP55 |





Dimensions

| ∅D | ∅d | H | L | L1 | L2 |
|-----|----|-----|-----|-----|-----|
| 285 | 11 | 237 | 451 | 330 | 450 |



Ecodesign

| Trademark | Vents |
|---------------------------------------|----------------|
| Model | VKHz 250 EC |
| Type of drive installed | Integrated VSD |
| Type of heat recovery system | None |
| Nominal flow rate (m ³ /s) | 0.301 |
| Nominal external pressure (Pa) | 267 |
| Maximum external leakage rates (%) | 2.7 |
| Static efficiency (%) | 58.3 |
| Declared typology | NRVU UVU |
| Effective electric power input (kW) | 0.161 |
| Sound power level (dB(A)) | 74 |