

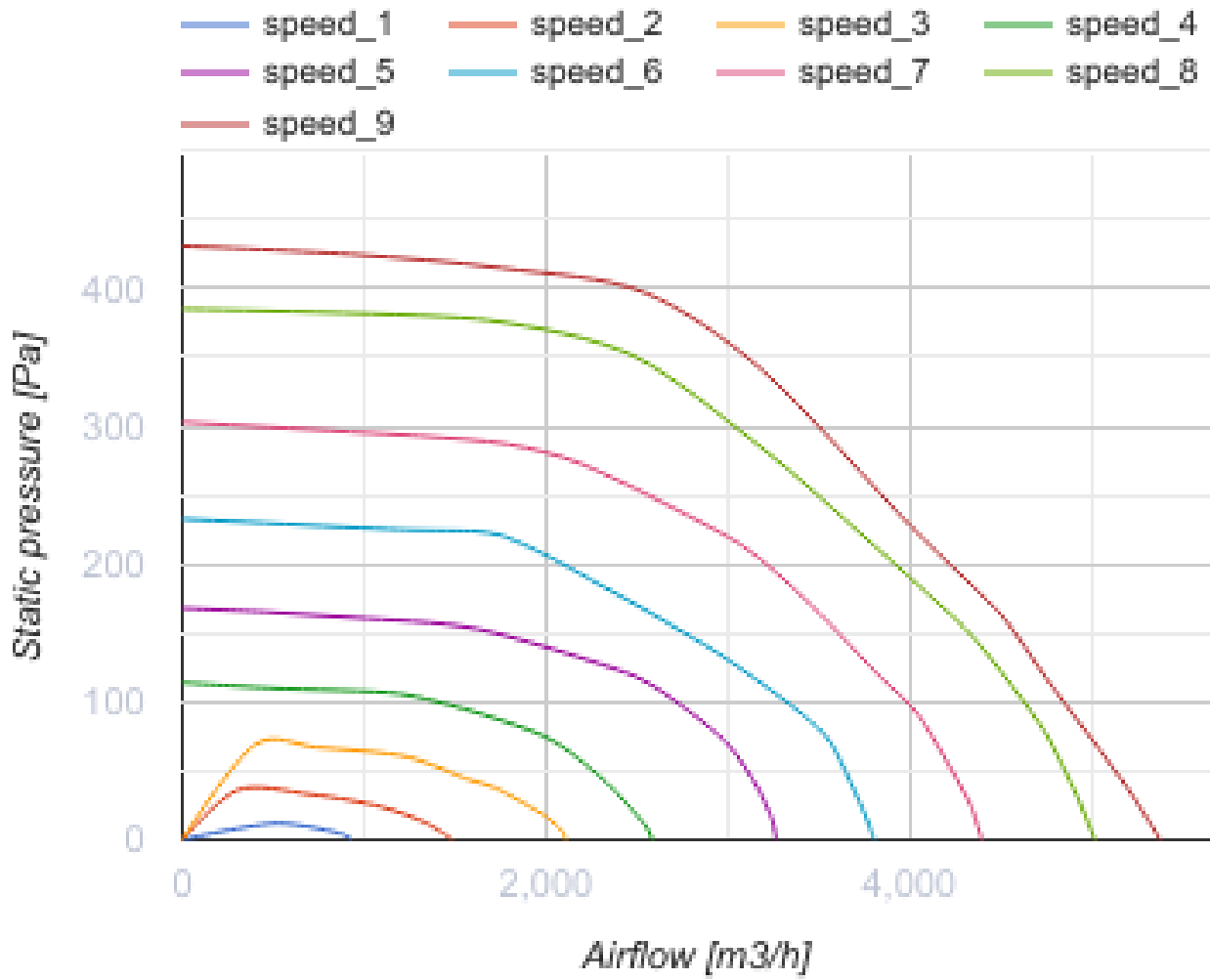
VKHz 400 EC

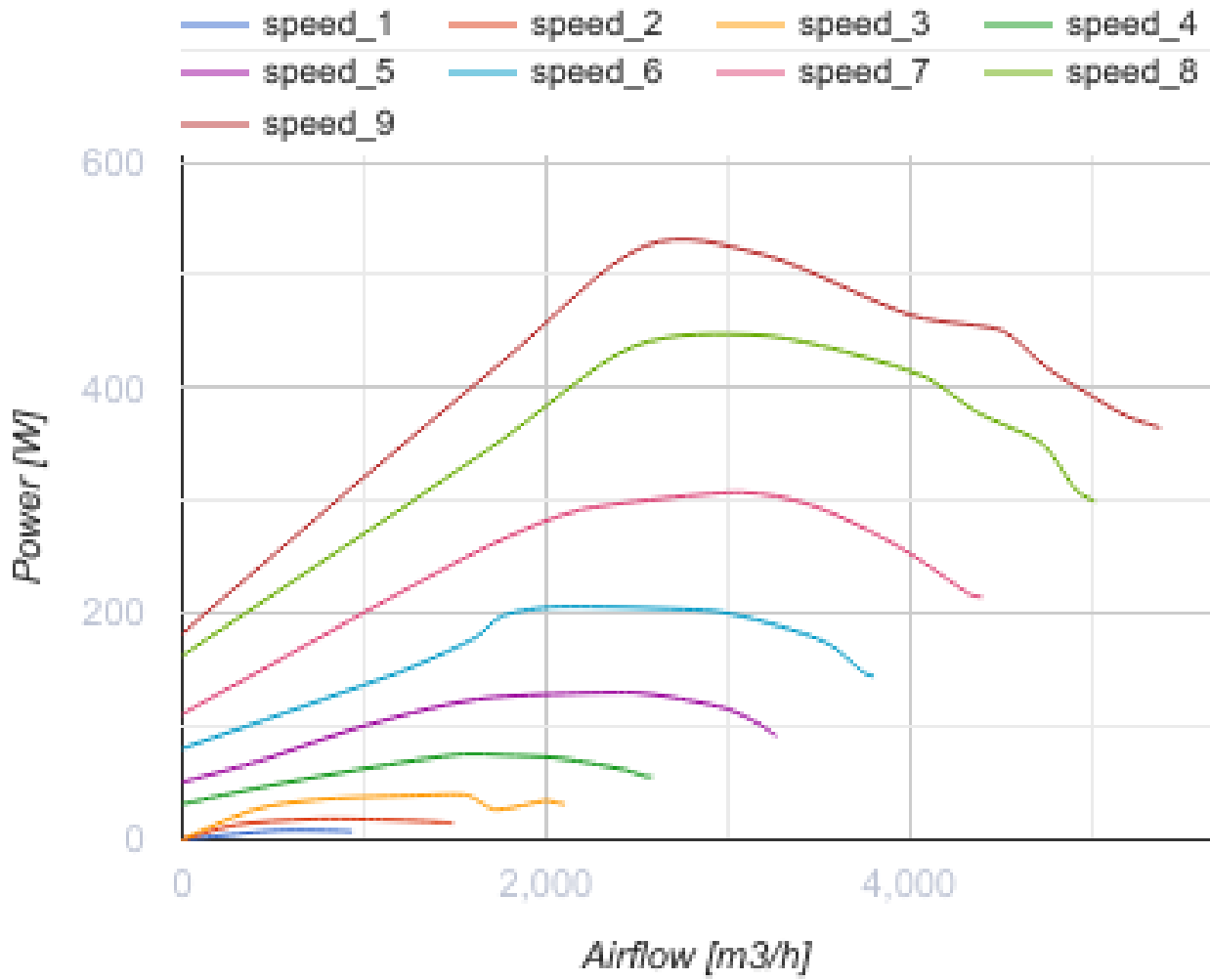


Roof exhaust centrifugal fans with horizontal air exhaust

- Maximum airflow: 5380
- Sound pressure level LpA at 3 m: 58
- Motor type: EC
- Impeller type: Centrifugal backward curved blades
- Casing material: Galvanized steel

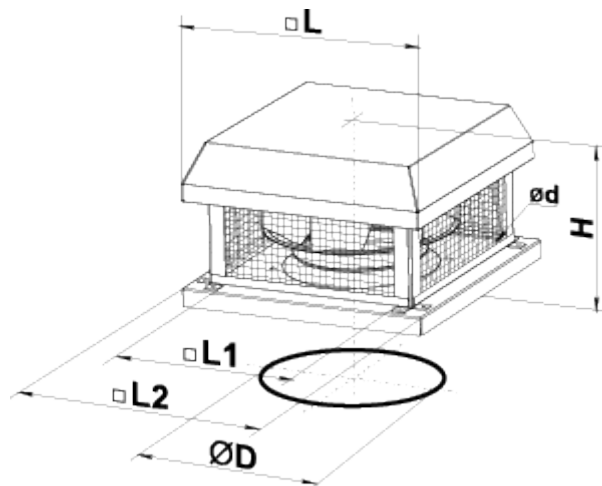
	Unit of measurement	VKHz 400 EC
Speed	-	1
Minimum supply voltage	V	230
Maximum supply voltage	V	230
Power supply frequency	Hz	50/60
Rated power	W	526
Unit current	A	3.9
Maximum airflow	m ³ /h	5380
Sound pressure level LpA at 3 m	dB(A)	58
Weight	kg	27
Transported air temperature (max)	°C	50
Transported air temperature (min)	°C	-25
Ingress protection rating	-	IPX4
Ingress protection rating of the drive	-	IP54





Dimensions

∅D	∅d	H	L	L1	L2
438	11	384	625	450	620



Ecodesign

Trademark	Vents
Model	VKHz 400 EC
Type of drive installed	Integrated VSD
Type of heat recovery system	None
Nominal flow rate (m ³ /s)	0.886
Nominal external pressure (Pa)	341
Maximum external leakage rates (%)	2.7
Static efficiency (%)	65.8
Declared typology	NRVU UVU
Sound power level (dB(A))	78
Effective electric power input (kW)	0.519