

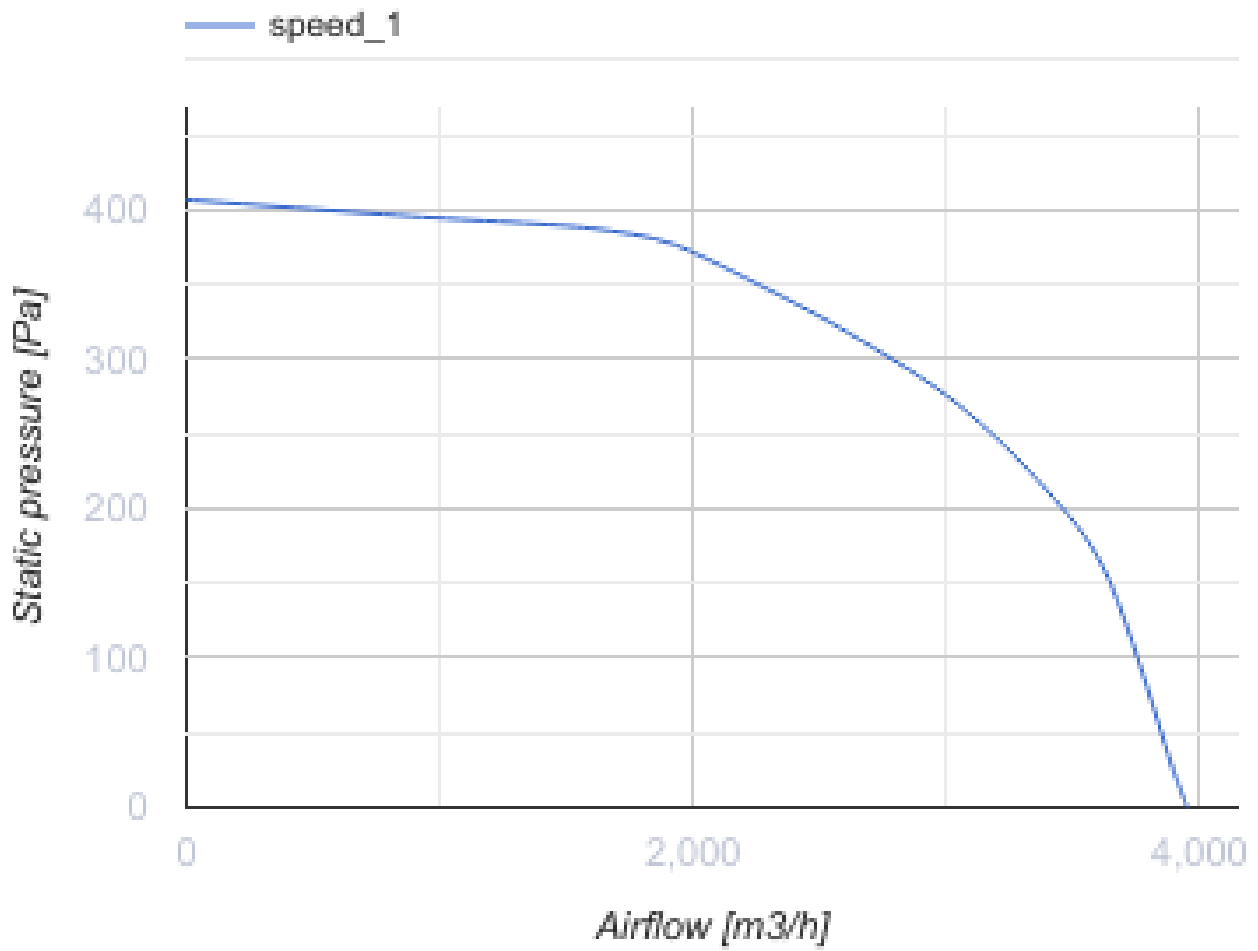
VKHz 4D 400

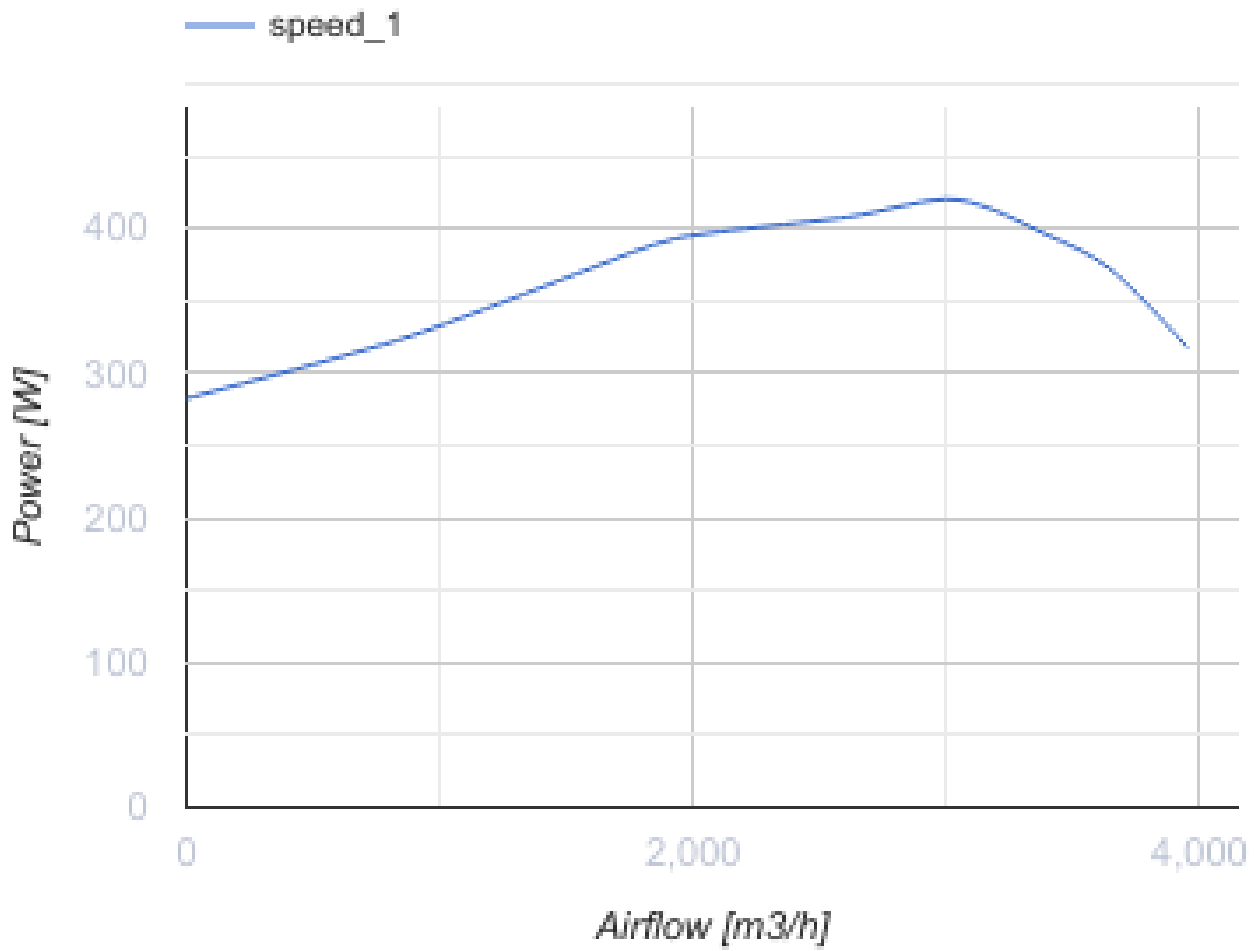


Centrifugal roof fans with horizontal air exhaust

- Maximum airflow: 3950
- Sound pressure level LpA at 3 m: 55
- Motor type: AC
- Impeller type: Centrifugal backward curved blades
- Casing material: Galvanized steel

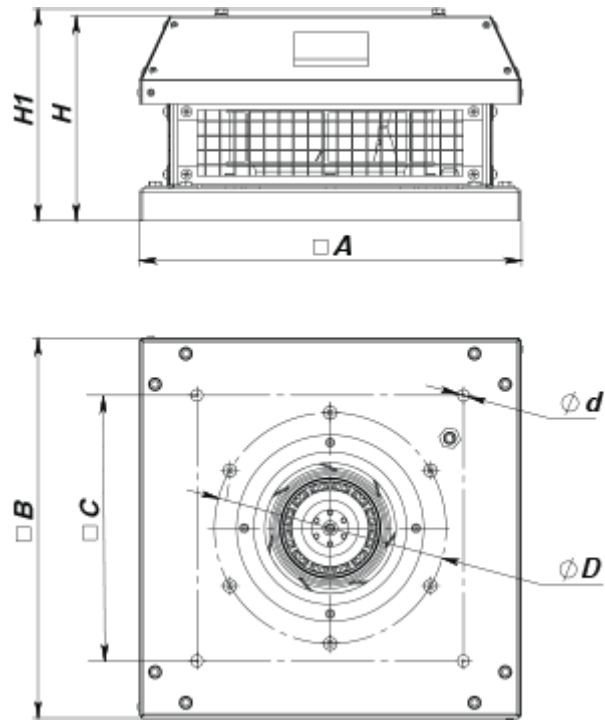
	Unit of measurement	VKHz 4D 400
Speed	-	1
Minimum supply voltage	V	400
Maximum supply voltage	V	400
Power supply frequency	Hz	50
Rated power	W	420
Unit current	A	0.99
Maximum airflow	m ³ /h	3950
Sound pressure level LpA at 3 m	dB(A)	55
Weight	kg	35
Transported air temperature (max)	°C	60
Transported air temperature (min)	°C	-30
Ingress protection rating	-	IPX4
Ingress protection rating of the drive	-	IP54





Dimensions

H	H1	A	B	C	Ød	ØD
376	415	625	620	450	11	438



Ecodesign

Trademark	Vents
Model	VKHz 4D 400
Type of drive installed	External MSD or VSD
Type of heat recovery system	None
Nominal flow rate (m ³ /s)	0.726
Nominal external pressure (Pa)	318
Maximum external leakage rates (%)	2.7
Static efficiency (%)	57.7
Declared typology	NRVU UVU
Sound power level (dB(A))	75
Effective electric power input (kW)	0.408