

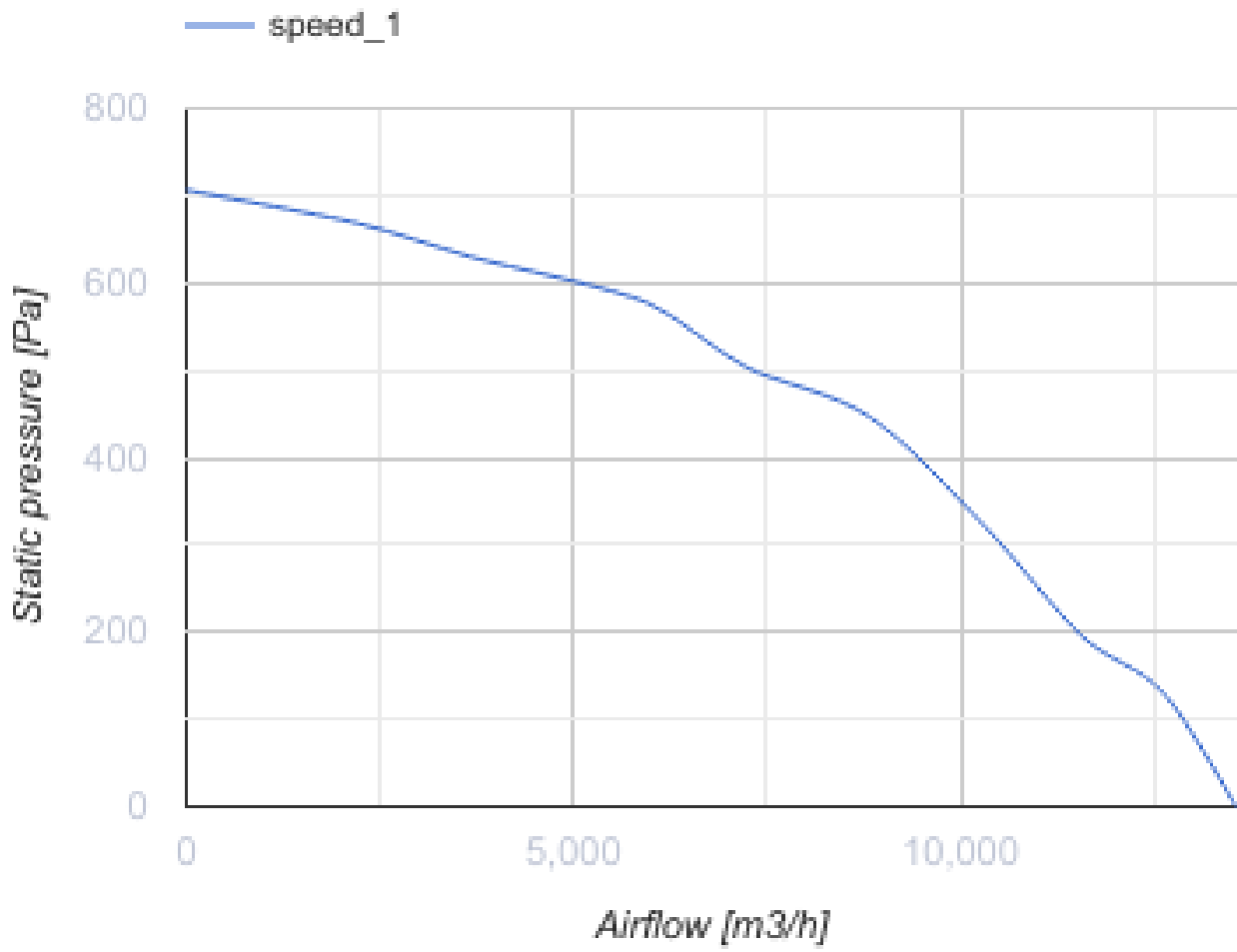
# VKHz 4D 560

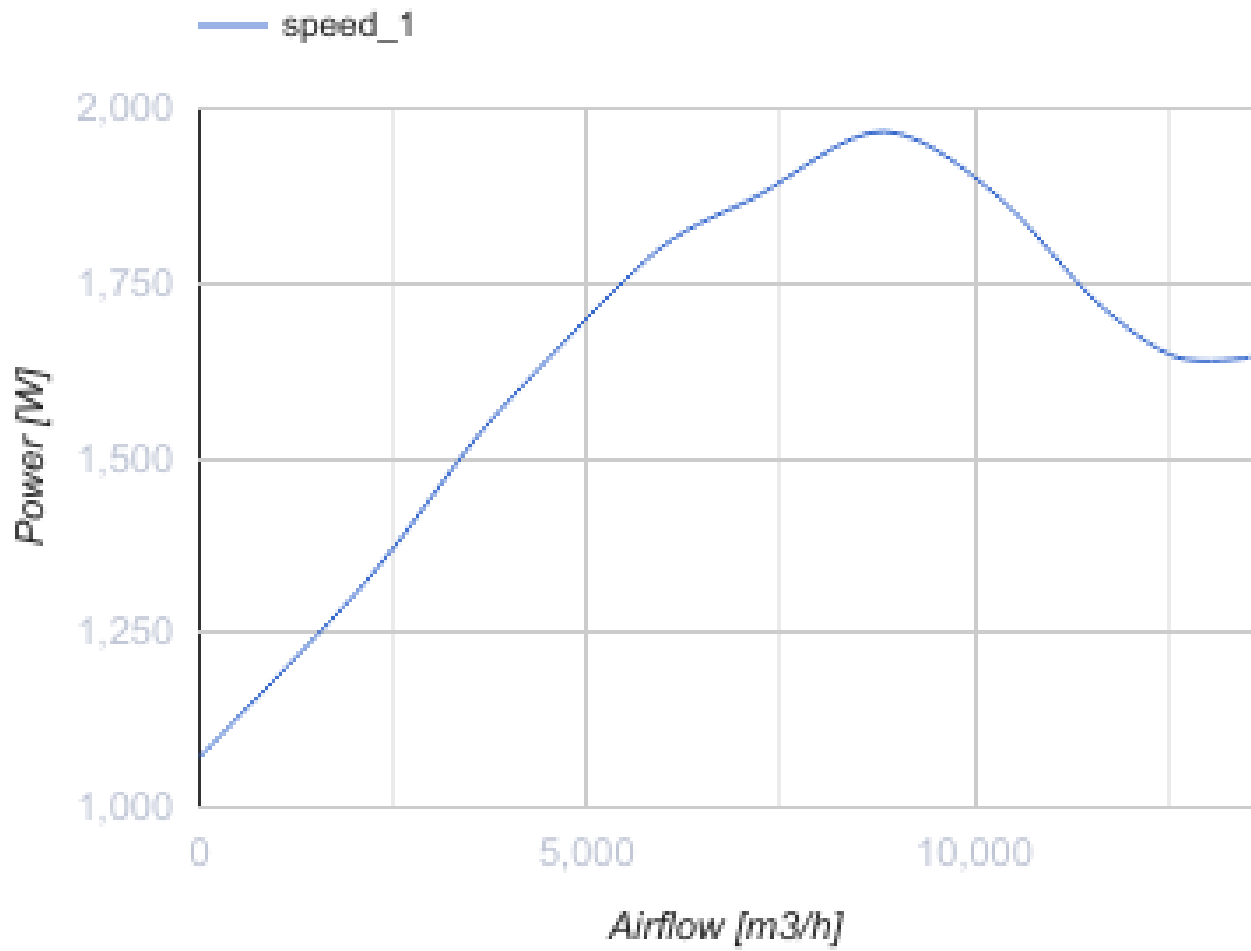


Centrifugal roof fans with horizontal air exhaust

- Maximum airflow: 13560
- Sound pressure level LpA at 3 m: 66
- Motor type: AC
- Impeller type: Centrifugal backward curved blades
- Casing material: Galvanized steel

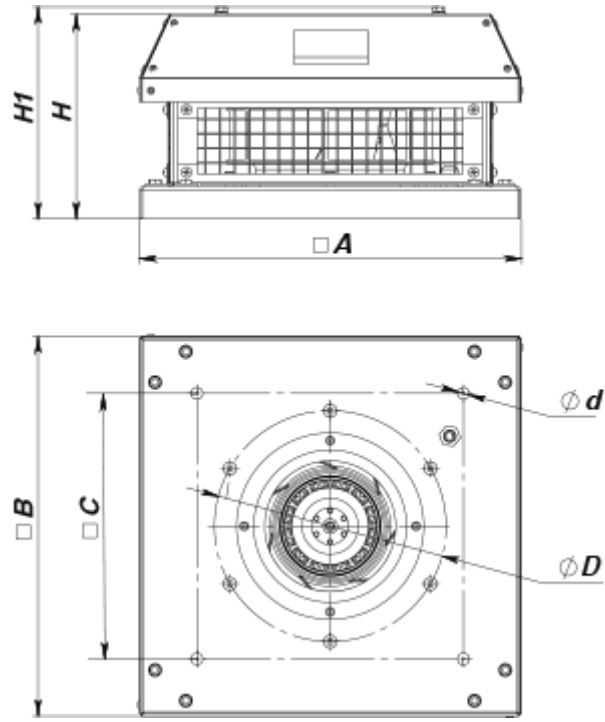
	Unit of measurement	VKHz 4D 560
Speed	-	1
Minimum supply voltage	V	400
Maximum supply voltage	V	400
Power supply frequency	Hz	50
Rated power	W	1970
Unit current	A	3.36
Maximum airflow	m <sup>3</sup> /h	13560
Sound pressure level LpA at 3 m	dB(A)	66
Weight	kg	81.4
Transported air temperature (max)	°C	50
Transported air temperature (min)	°C	-25
Ingress protection rating	-	IPX4
Ingress protection rating of the drive	-	IP54





### Dimensions

H	H1	A	B	C	Ød	ØD
489	528	900	895	750	11	605



## Ecodesign

Trademark	Vents
Model	VKHz 4D 560
Type of drive installed	External MSD or VSD
Type of heat recovery system	None
Nominal flow rate (m <sup>3</sup> /s)	2.454
Nominal external pressure (Pa)	446
Maximum external leakage rates (%)	2.7
Static efficiency (%)	56.8
Declared typology	NRVU UVU
Sound power level (dB(A))	86
Effective electric power input (kW)	1.967