

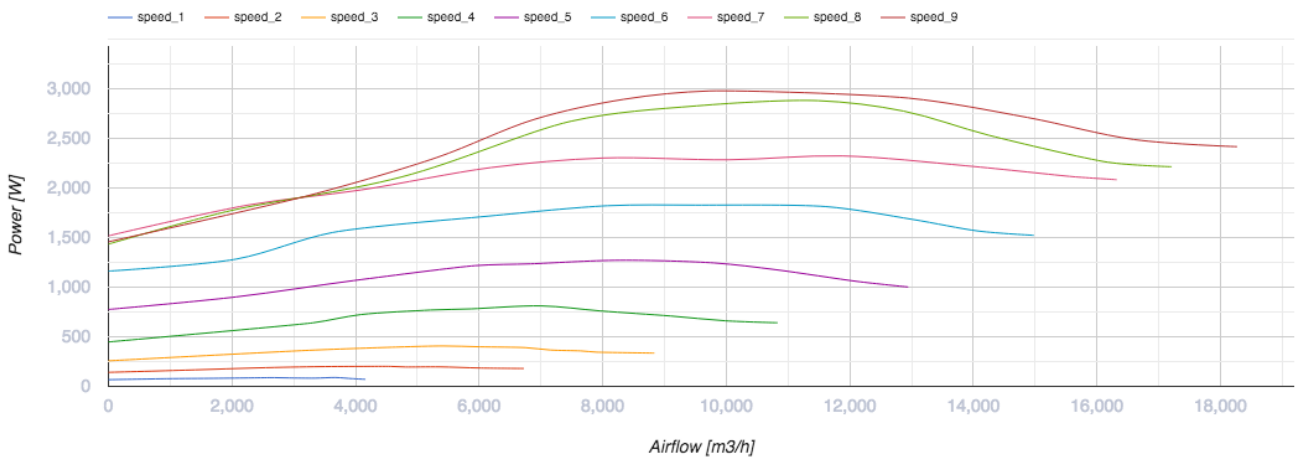
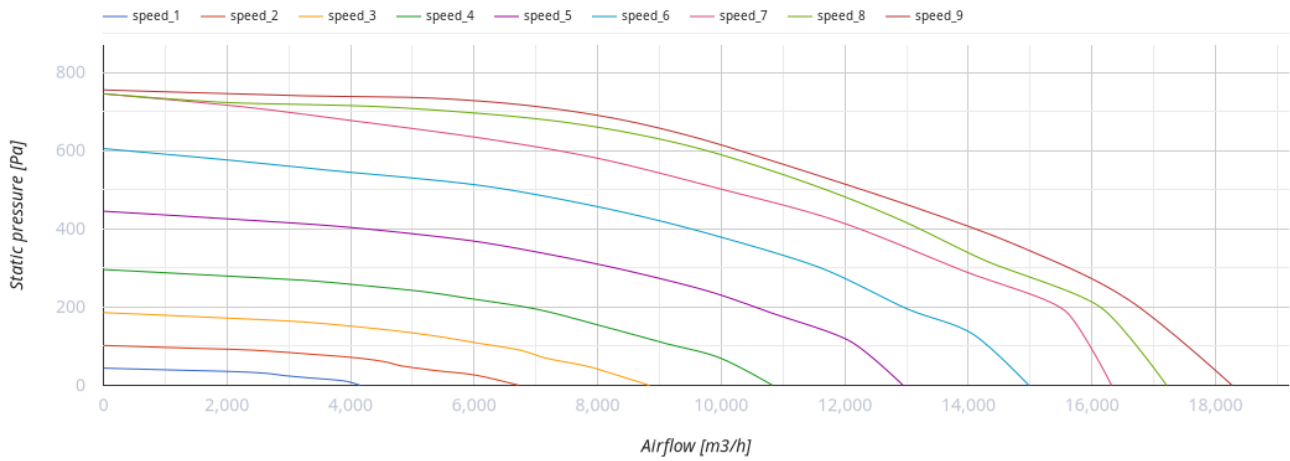
VKHz 630 EC



Roof exhaust centrifugal fans with horizontal air exhaust

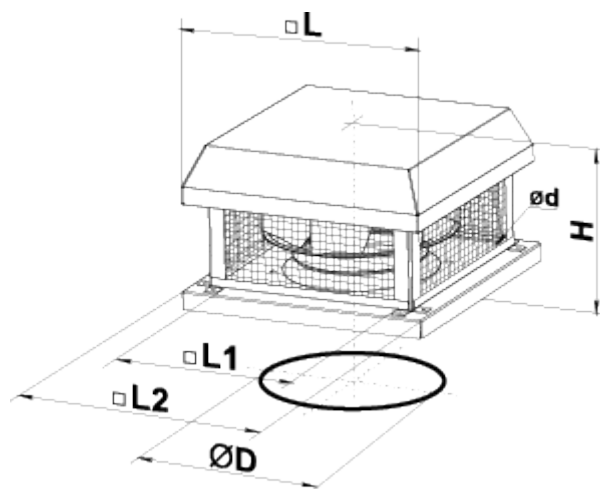
- Maximum airflow: 18270
- Sound pressure level LpA at 3 m: 71
- Motor type: EC
- Impeller type: Centrifugal backward curved blades
- Casing material: Galvanized steel

	Unit of measurement	VKHz 630 EC
Speed	-	1
Minimum supply voltage	V	400
Maximum supply voltage	V	400
Power supply frequency	Hz	50/60
Rated power	W	2973
Unit current	A	4.66
Maximum airflow	m ³ /h	18270
Sound pressure level LpA at 3 m	dB(A)	71
Weight	kg	101
Transported air temperature (max)	°C	55
Transported air temperature (min)	°C	-25
Ingress protection rating	-	IPX4
Ingress protection rating of the drive	-	IP54



Dimensions

ØD	Ød	H	L	L1	L2
600	20	520	1000	750	990



Ecodesign

Trademark	Vents
Model	VKHz 630 EC
Type of drive installed	Integrated VSD
Type of heat recovery system	None
Nominal flow rate (m ³ /s)	3.596
Nominal external pressure (Pa)	465
Maximum external leakage rates (%)	2.7
Static efficiency (%)	62.1
Declared typology	NRVU UVU
Sound power level (dB(A))	91
Effective electric power input (kW)	2.901