

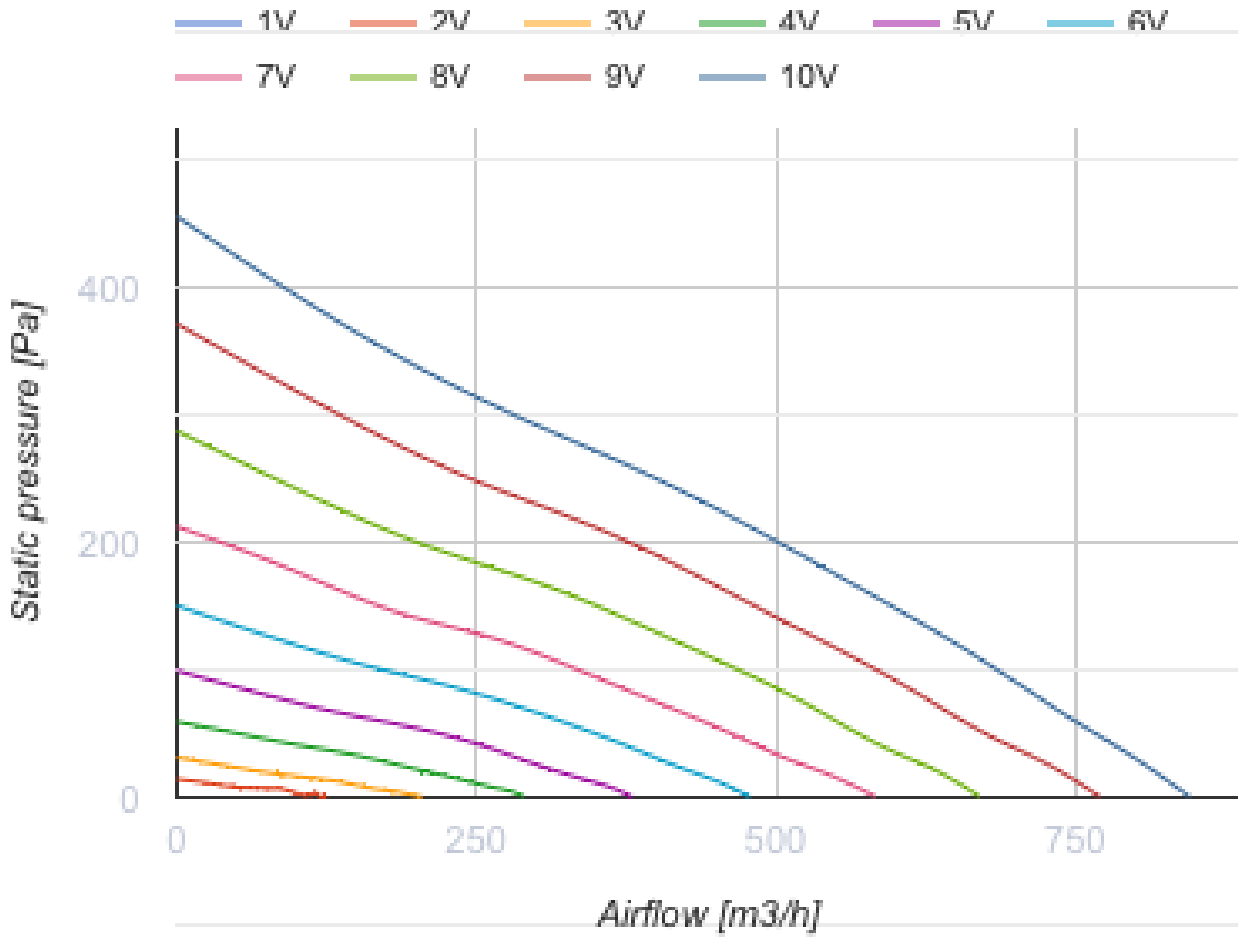
# VKM 200 EC

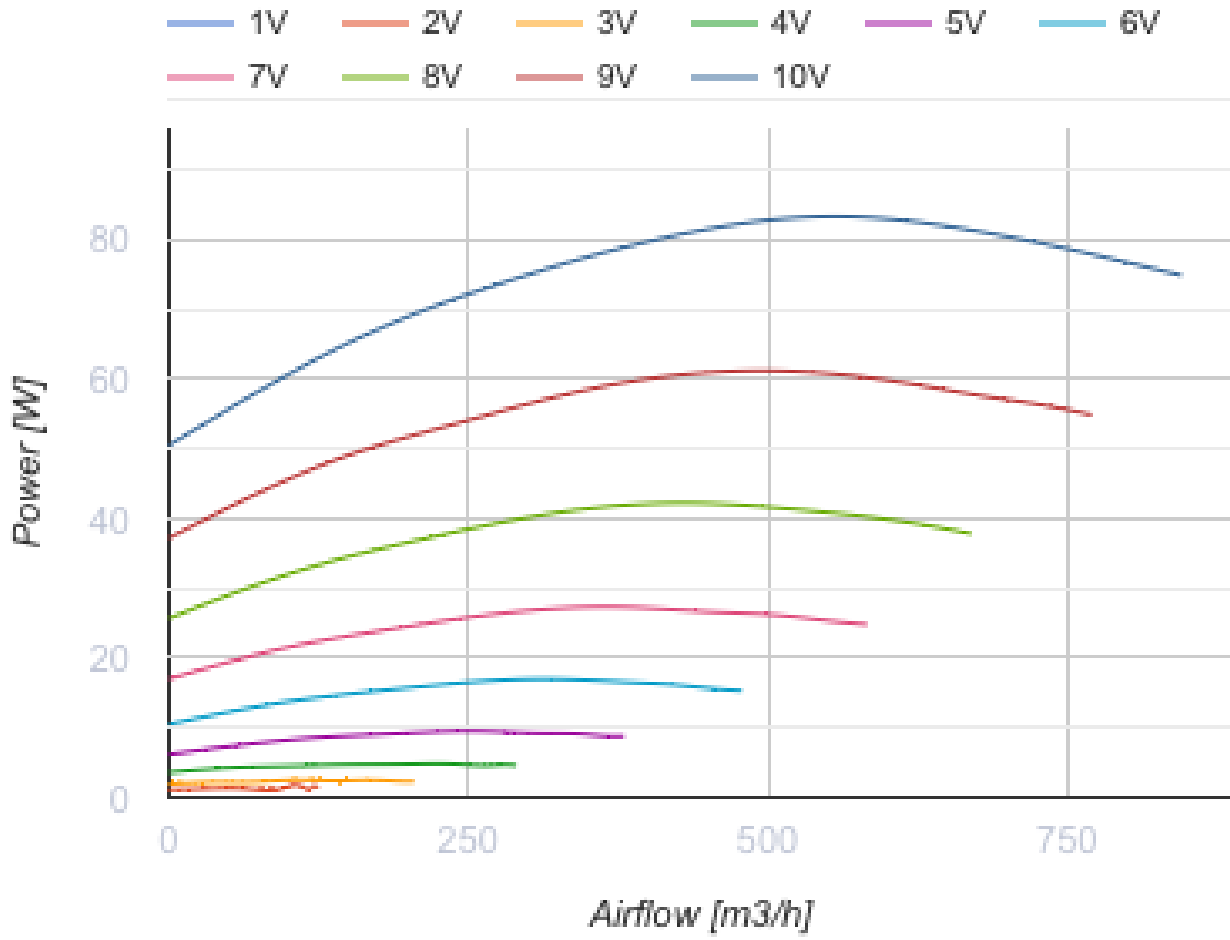


Inline centrifugal fans in steel casing

- Maximum airflow: 845
- Sound pressure level LpA at 3 m: 47
- Motor type: EC
- Impeller type: Centrifugal backward curved blades
- Casing material: Coated steel
- Installation in any position

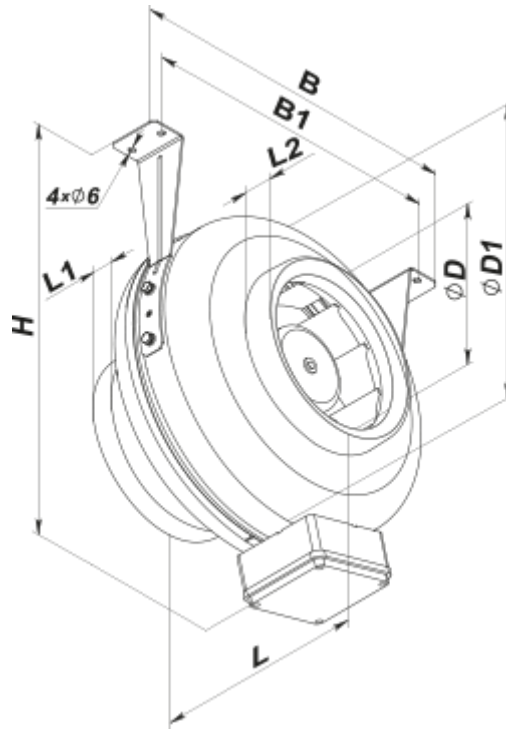
	Unit of measurement	VKM 200 EC
Connected air duct size	mm	200
Speed	-	1
Minimum supply voltage	V	230
Maximum supply voltage	V	230
Power supply frequency	Hz	50/60
Rated power	W	83
Unit current	A	0.63
Maximum airflow	m <sup>3</sup> /h	845
Sound pressure level LpA at 3 m	dB(A)	47
Weight	kg	5.1
Transported air temperature (max)	°C	60
Transported air temperature (min)	°C	-25
Ingress protection rating	-	IPX4
Ingress protection rating of the drive	-	IP44



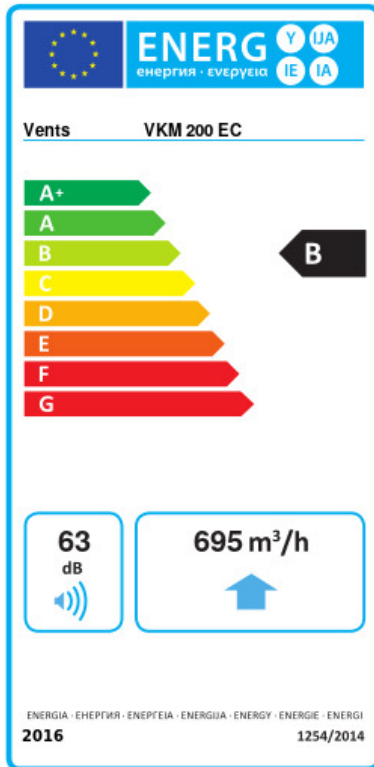


## Dimensions

ØD	ØD1	B	B1	H	L	L1	L2	L3
198	345	395	355	435	245	25	30	40



## Ecodesign



Trademark	Vents					
Model	VKM 200 EC					
Specific energy consumption (SEC) (kWh/(m <sup>2</sup> /a))	Cold		Average		Warm	
	-54.5	A+	-27.5	B	-12	E
Type of ventilation unit	Unidirectional					
Type of drive installed	Variable speed					
Type of heat recovery system	None					
Maximum flow rate (m <sup>3</sup> /h)	695					
Electric power input (W)	84					
Reference flow rate (m <sup>3</sup> /s)	0.135					
Reference pressure difference (Pa)	50					
Specific power input (SPI) (W/(m <sup>3</sup> /h))	0.064					
Control typology	Local demand control					
Maximum external leakage rates (%)	2.7					
Declared typology	RVU UVU					
Sound power level (dB(A))	63					
The annual electricity consumption (AEC) (kWh/a)	Cold		Average		Warm	
	34		34		34	
The annual heating saved (AHS) (kWh/a)	Cold		Average		Warm	
	5536		2830		1280	