

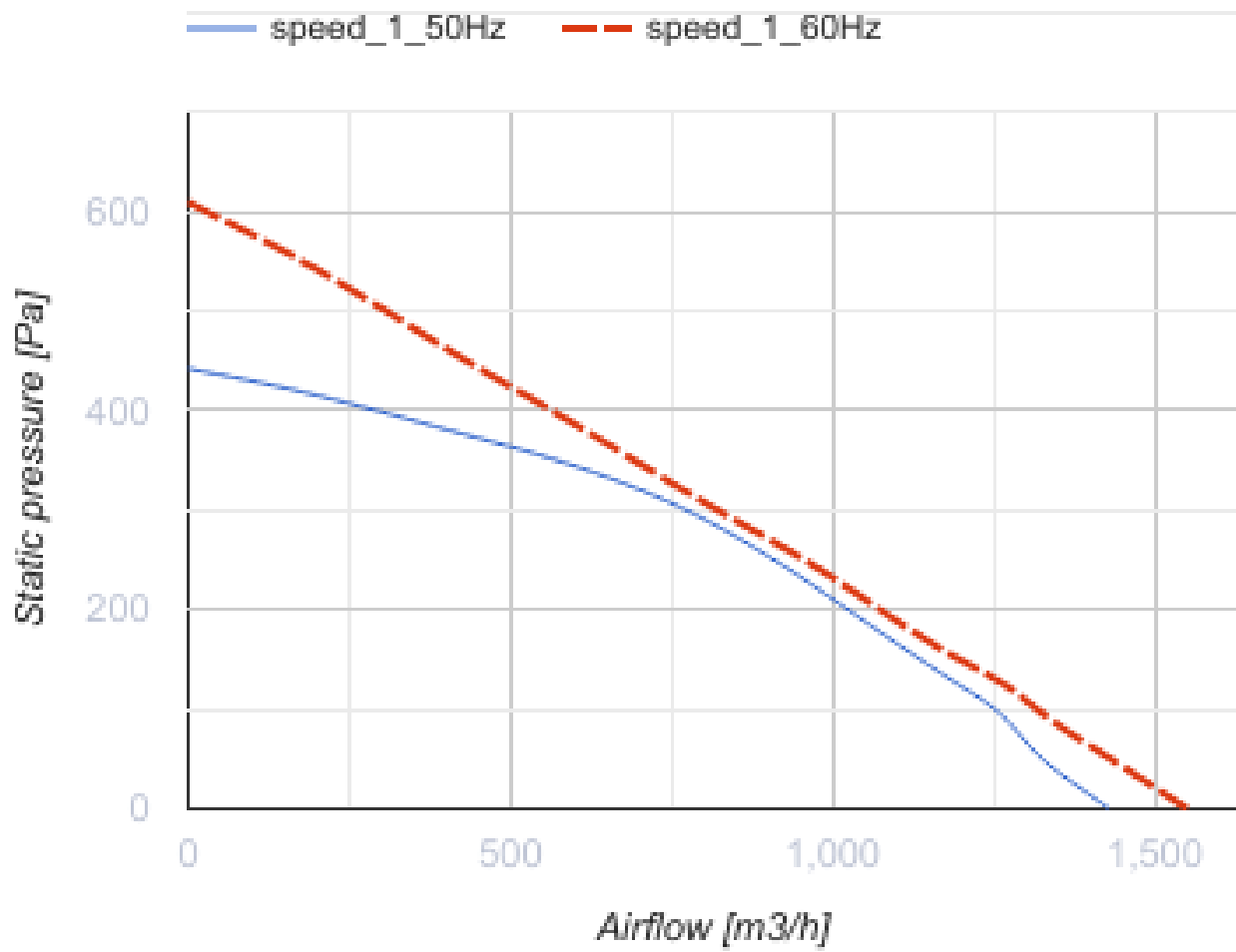
VKM 315

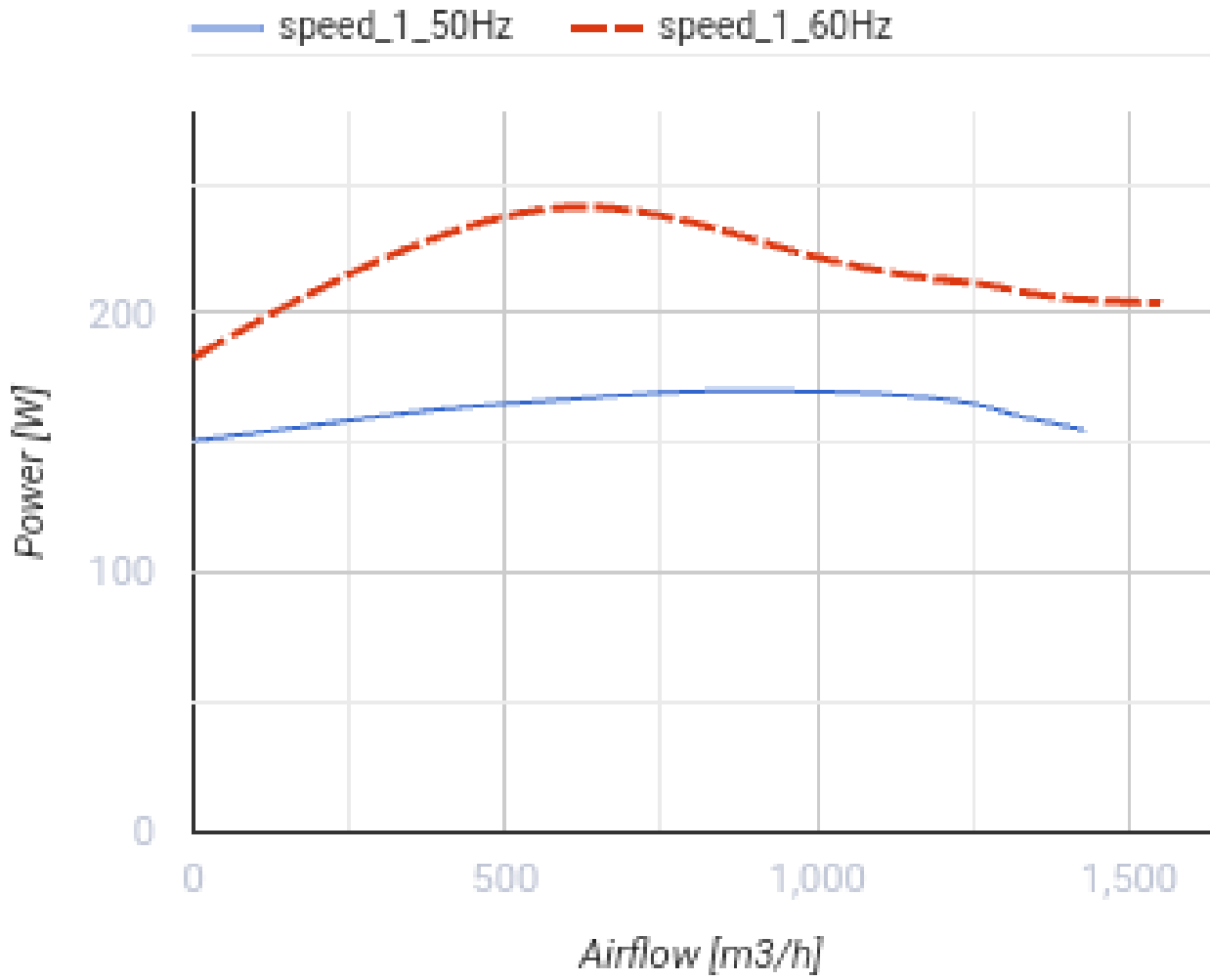


Inline centrifugal fans in steel casing

- Maximum airflow: 1440
- Sound pressure level LpA at 3 m: 52
- Motor type: AC
- Impeller type: Centrifugal backward curved blades
- Casing material: Coated steel
- Installation in any position

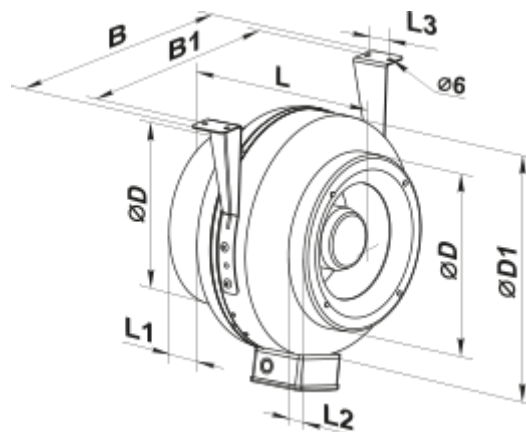
	Unit of measurement	VKM 315
Connected air duct size	mm	315
Speed	-	1
Minimum supply voltage	V	220
Maximum supply voltage	V	240
Power supply frequency	Hz	50/60
Rated power	W	171
Unit current	A	0.77
Maximum airflow	m ³ /h	1440
Sound pressure level LpA at 3 m	dB(A)	52
Weight	kg	8
Transported air temperature (max)	°C	45
Transported air temperature (min)	°C	-25
Ingress protection rating	-	IPX4
Ingress protection rating of the drive	-	IP44





Dimensions

ØD	ØD1	B	B1	L	L1	L2	L3
314	405	455	415	260	30	30	40



Ecodesign

Trademark	Vents
Model	VKM 315
Type of drive installed	External MSD or VSD
Type of heat recovery system	None
Nominal flow rate (m ³ /s)	0.204
Nominal external pressure (Pa)	306
Maximum external leakage rates (%)	2.7
Static efficiency (%)	37.6
Declared typology	NRVU UVU
Sound power level (dB(A))	72
Effective electric power input (kW)	0.17