

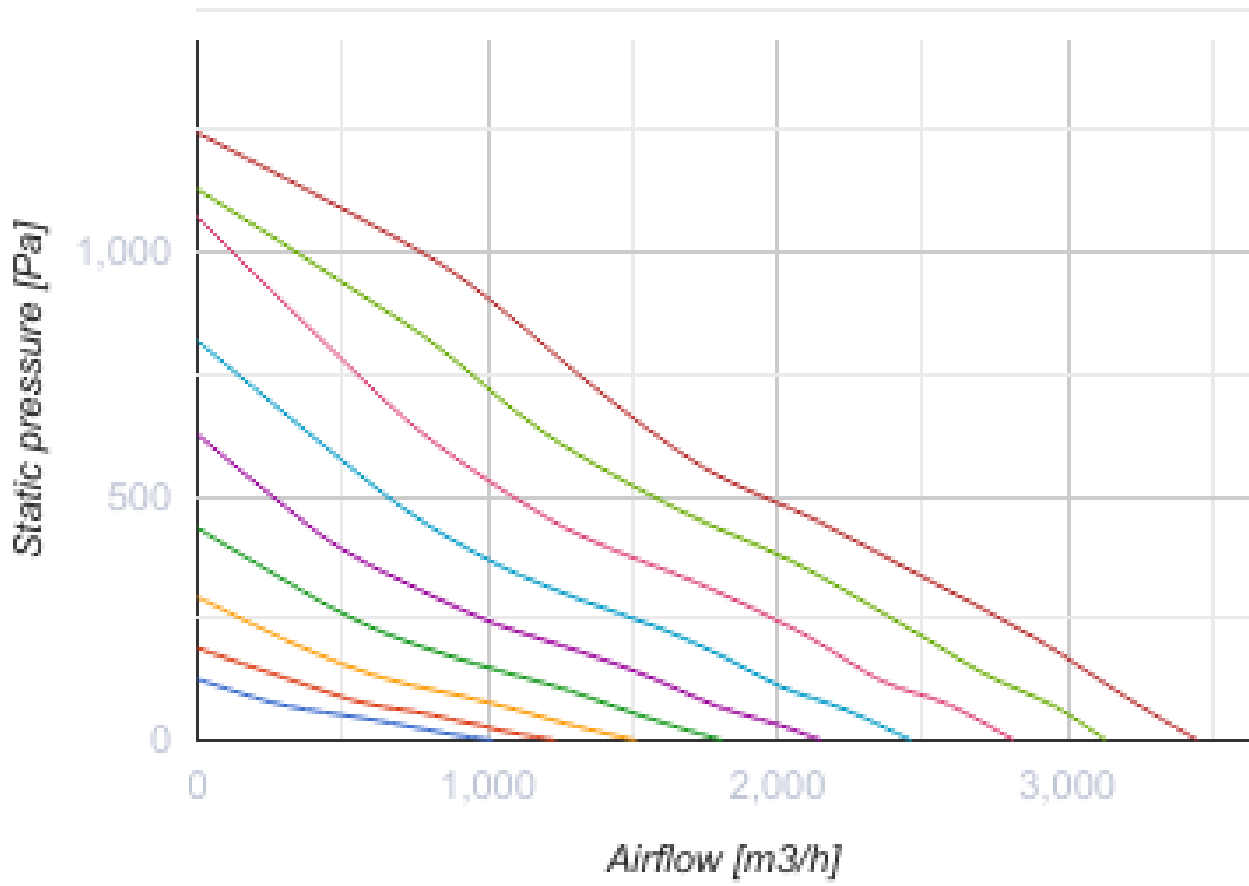
VKM 355 EC

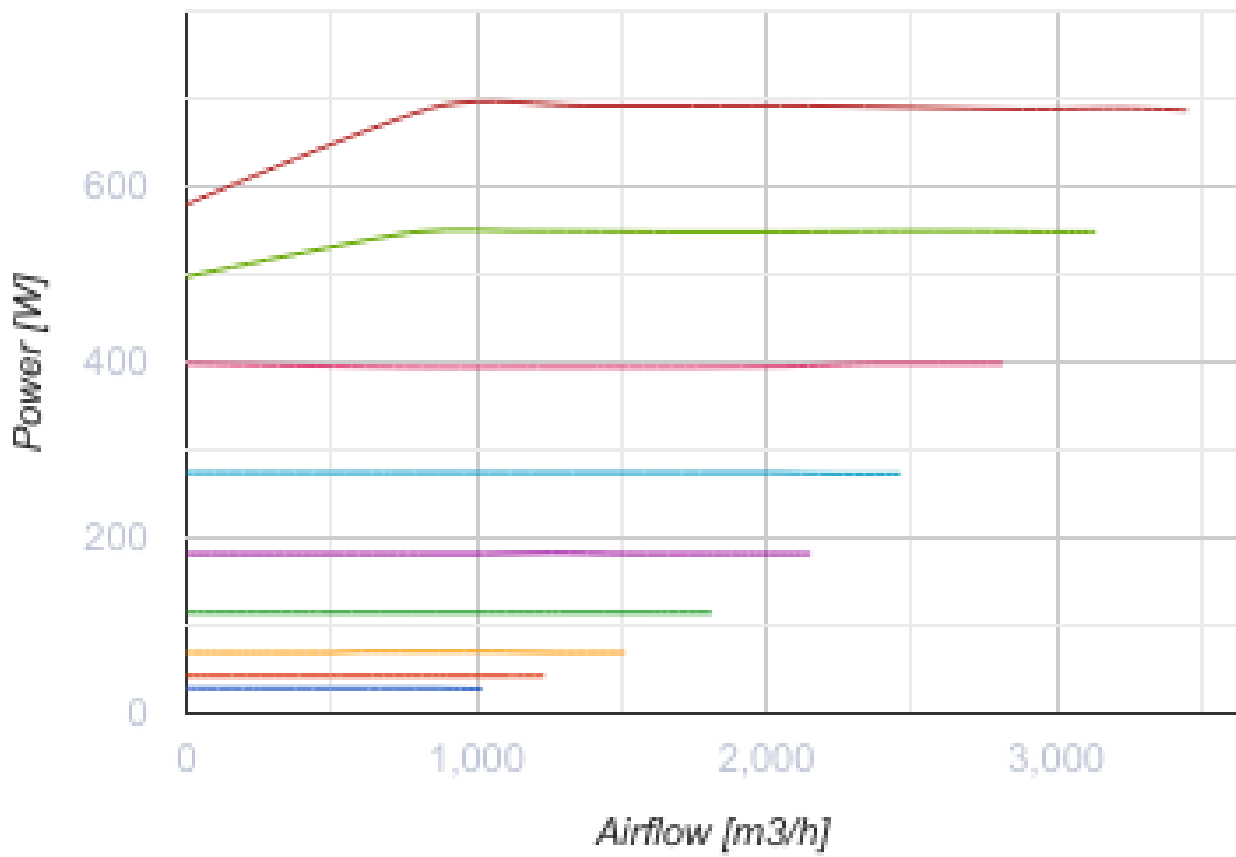


Inline centrifugal fans in steel casing

- Maximum airflow: 3450
- Sound pressure level LpA at 3 m: 62
- Motor type: EC
- Impeller type: Centrifugal backward curved blades
- Casing material: Coated steel
- Installation in any position

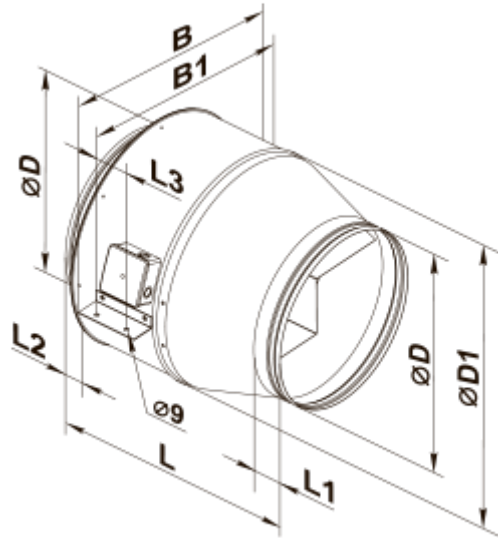
	Unit of measurement	VKM 355 EC
Connected air duct size	mm	355
Speed	-	1
Minimum supply voltage	V	230
Maximum supply voltage	V	230
Power supply frequency	Hz	50/60
Rated power	W	693
Unit current	A	3.07
Maximum airflow	m ³ /h	3450
Sound pressure level LpA at 3 m	dB(A)	62
Weight	kg	15.8
Transported air temperature (max)	°C	60
Transported air temperature (min)	°C	-25
Ingress protection rating	-	IPX4
Ingress protection rating of the drive	-	IP44





Dimensions

ØD	ØD1	B	B1	L	L1	L2	L3
353	459	552	522	562	60	60	70



Ecodesign

Trademark	Vents
Model	VKM 355 EC
Type of drive installed	Integrated VSD
Type of heat recovery system	None
Nominal flow rate (m ³ /s)	0.485
Nominal external pressure (Pa)	559
Maximum external leakage rates (%)	2.7
Static efficiency (%)	43.9
Declared typology	NRVU UVU
Sound power level (dB(A))	67
Effective electric power input (kW)	0.693