

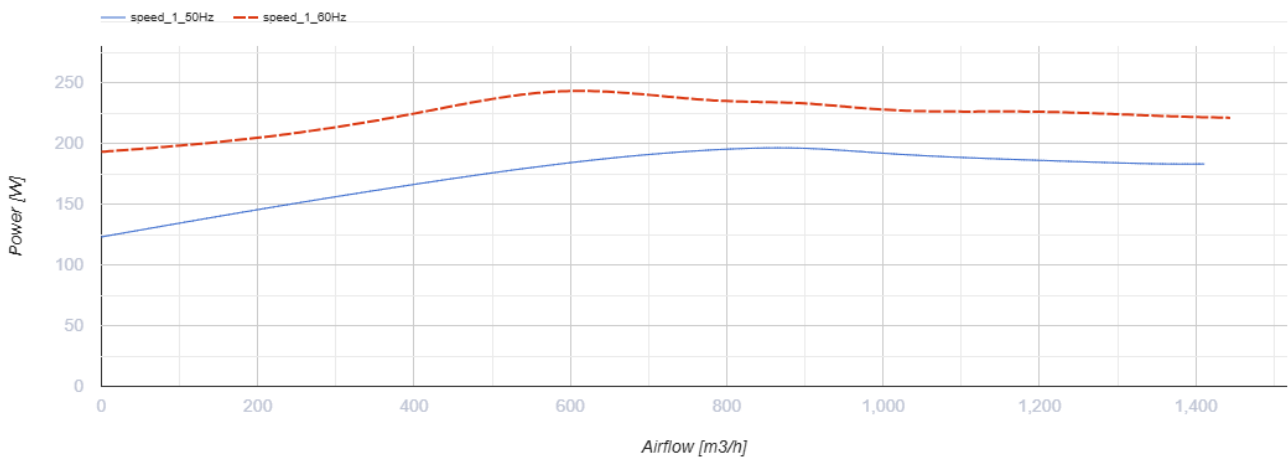
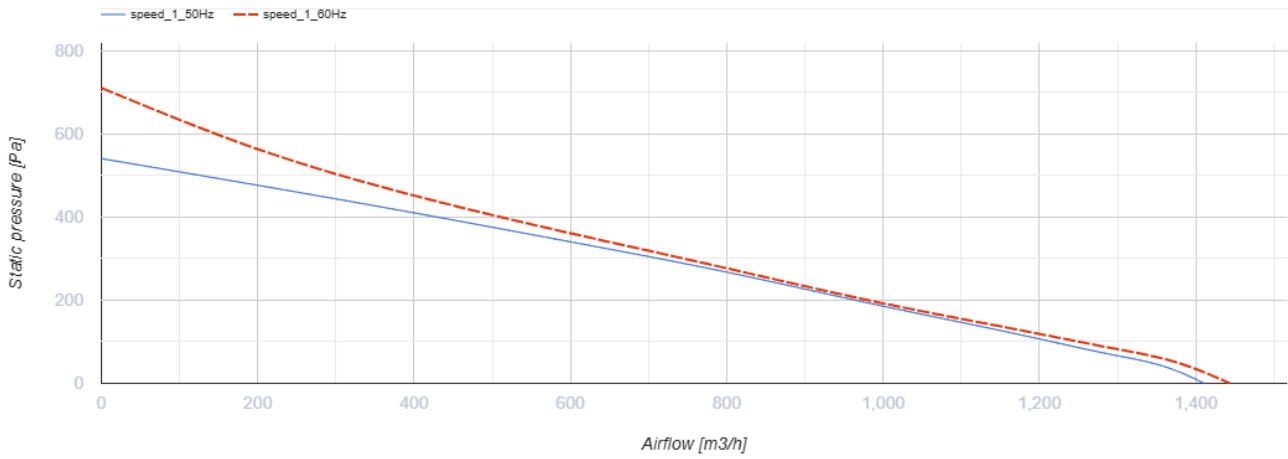
# VKMK 250



Centrifugal roof fans in the steel casing with the horizontal exhaust of air

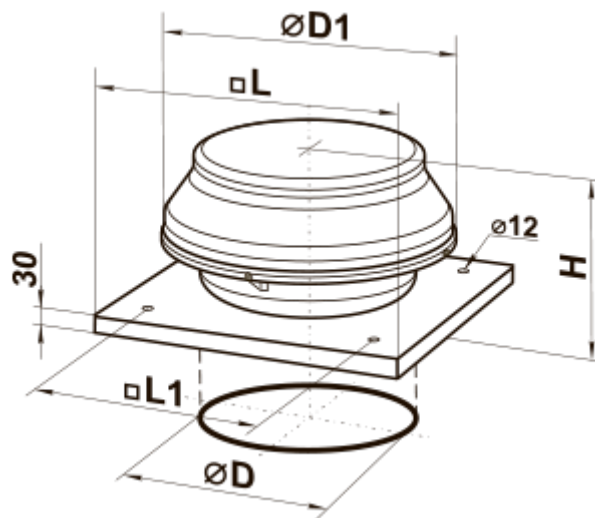
- Maximum airflow: 1310
- Sound pressure level LpA at 3 m: 52
- Motor type: AC
- Impeller type: Centrifugal backward curved blades
- Casing material: Coated steel

	Unit of measurement	VKMK 250
Connected air duct size	mm	250
Speed	-	1
Minimum supply voltage	V	220
Maximum supply voltage	V	240
Power supply frequency	Hz	50/60
Rated power	W	194
Unit current	A	0.85
Maximum airflow	m <sup>3</sup> /h	1310
Sound pressure level LpA at 3 m	dB(A)	52
Weight	kg	10.1
Transported air temperature (max)	°C	50
Transported air temperature (min)	°C	-25
Ingress protection rating	-	IPX4
Ingress protection rating of the drive	-	IP44



## Dimensions

ØD	ØD1	H	L	L1
248	400	249	590	450



## Ecodesign

Trademark	Vents
Model	VKMK 250
Type of drive installed	External MSD or VSD
Type of heat recovery system	None
Nominal flow rate (m <sup>3</sup> /s)	0.174
Nominal external pressure (Pa)	331
Maximum external leakage rates (%)	2.7
Static efficiency (%)	32.2
Declared typology	NRVU UVU
Sound power level (dB(A))	72
Effective electric power input (kW)	0.182