

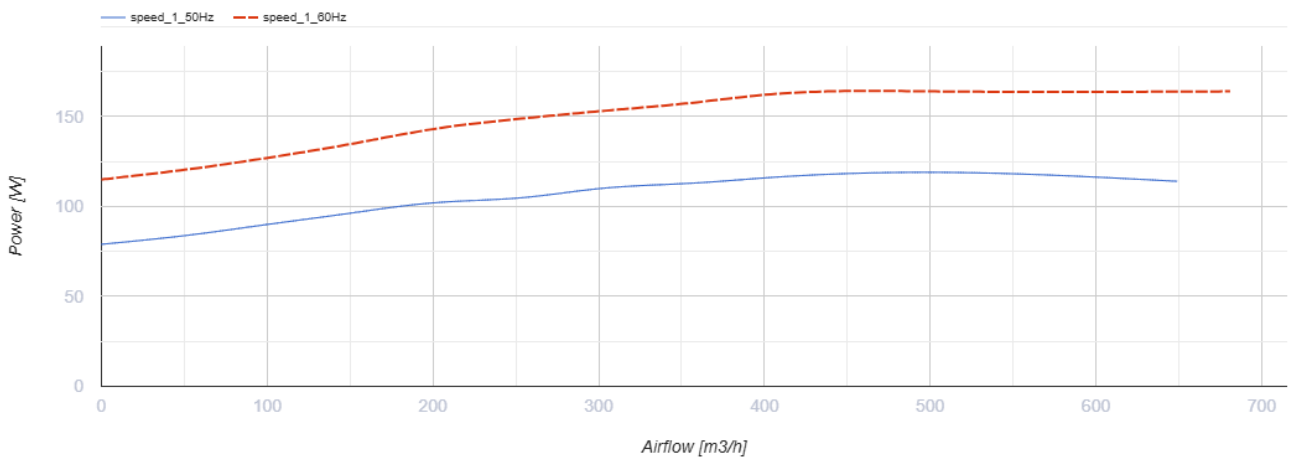
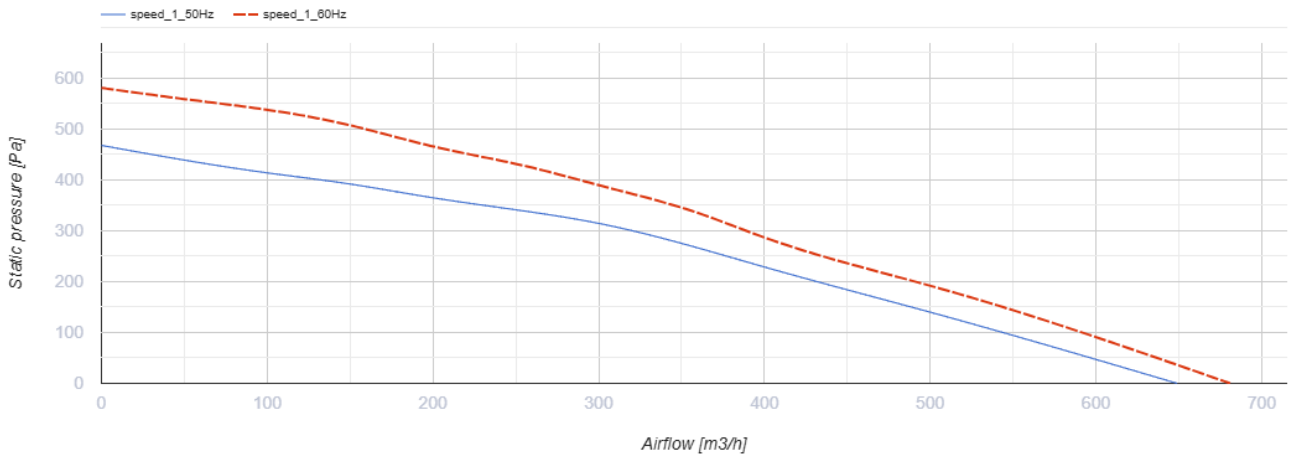
VKMS 150



Inline centrifugal fans in steel casing

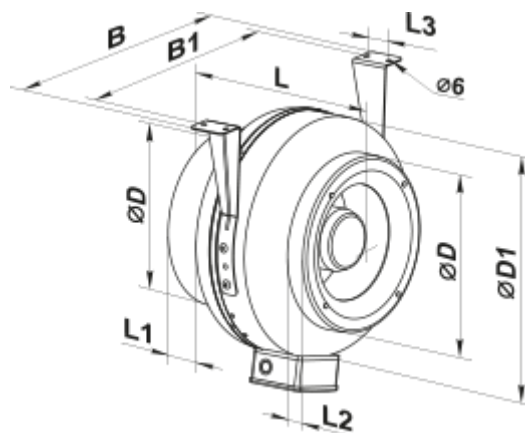
- Maximum airflow: 710
- Sound pressure level LpA at 3 m: 48
- Motor type: AC
- Impeller type: Centrifugal backward curved blades
- Casing material: Coated steel
- Installation in any position

	Unit of measurement	VKMS 150
Connected air duct size	mm	150
Speed	-	1
Minimum supply voltage	V	220
Maximum supply voltage	V	240
Power supply frequency	Hz	50/60
Rated power	W	127
Unit current	A	0.55
Maximum airflow	m ³ /h	710
Sound pressure level LpA at 3 m	dB(A)	48
Weight	kg	5.4
Transported air temperature (max)	°C	45
Transported air temperature (min)	°C	-25
Ingress protection rating	-	IPX4
Ingress protection rating of the drive	-	IP44

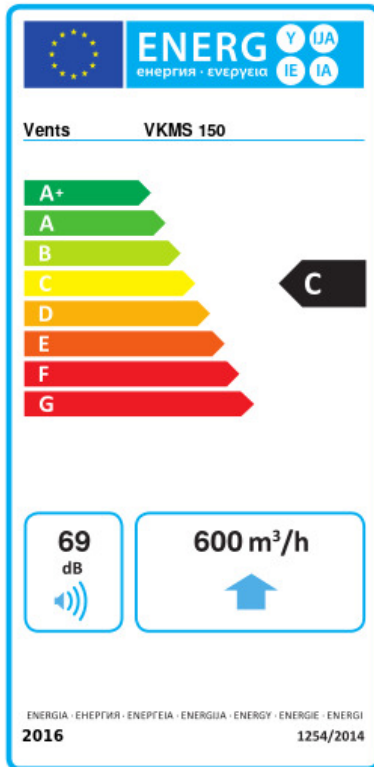


Dimensions

ØD	ØD1	B	B1	L	L1	L2	L3
149	345	395	355	230	20	20	40



Ecodesign



Trademark	Vents					
Model	VKMS 150					
Specific energy consumption (SEC) (kWh/(m ² /a))	Cold	Average	Warm			
	-52.6	A+	-25.5	C	-10	E
Type of ventilation unit	Unidirectional					
Type of drive installed	Variable speed					
Type of heat recovery system	None					
Maximum flow rate (m ³ /h)	600					
Electric power input (W)	126					
Reference flow rate (m ³ /s)	0.117					
Reference pressure difference (Pa)	50					
Specific power input (SPI) (W/(m ³ /h))	0.21					
Control typology	Local demand control					
Maximum external leakage rates (%)	2.7					
Declared typology	RVU UVU					
Sound power level (dB(A))	69					
The annual electricity consumption (AEC) (kWh/a)	Cold	Average	Warm			
	111	111	111			
The annual heating saved (AHS) (kWh/a)	Cold	Average	Warm			
	5536	2830	1280			