

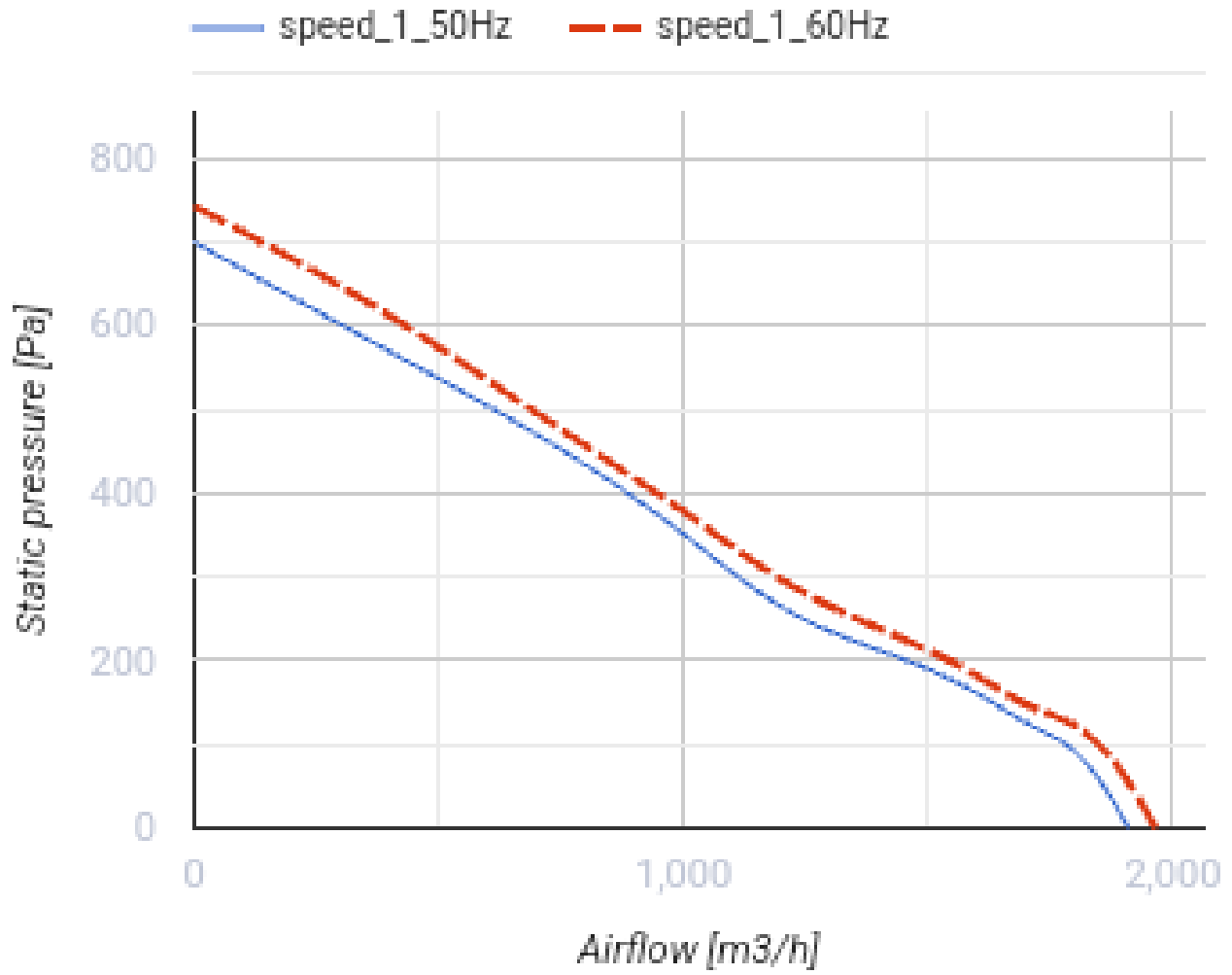
VKMS 315

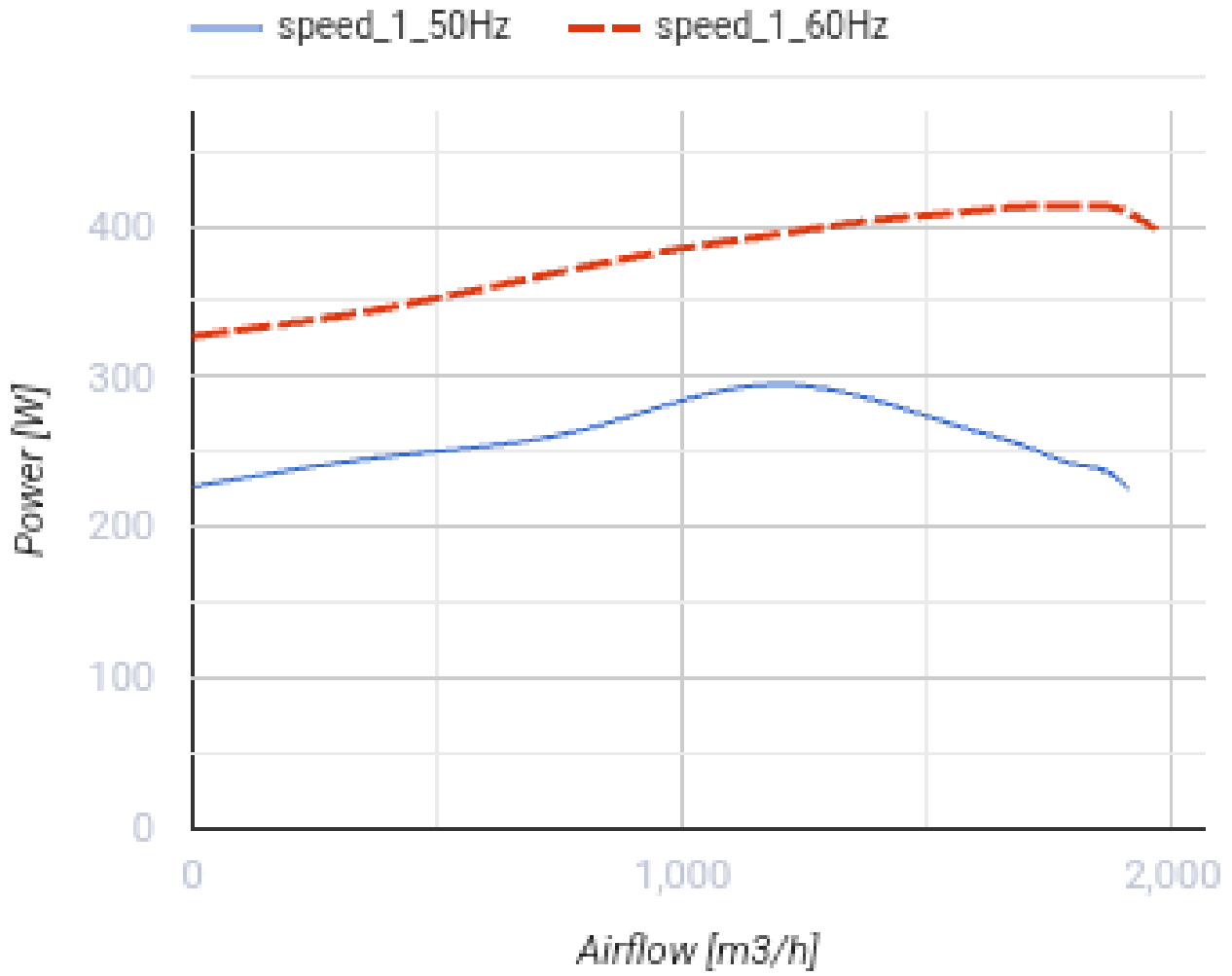


Inline centrifugal fans in steel casing

- Maximum airflow: 1920
- Sound pressure level LpA at 3 m: 54
- Motor type: AC
- Impeller type: Centrifugal backward curved blades
- Casing material: Coated steel
- Installation in any position

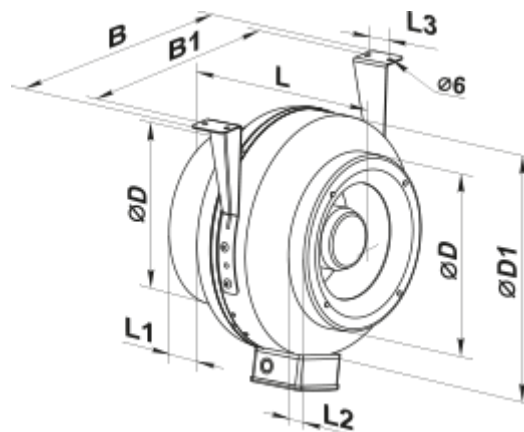
	Unit of measurement	VKMS 315
Connected air duct size	mm	315
Speed	-	1
Phases	-	1
Minimum supply voltage	V	220
Maximum supply voltage	V	240
Power supply frequency	Hz	50
Rated power	W	295
Unit current	A	1.34
Maximum airflow	m ³ /h	1920
rotation speed at 50hz	-	2720
Sound pressure level LpA at 3 m	dB(A)	54
Weight	kg	8.8
Transported air temperature (max)	°C	45
Transported air temperature (min)	°C	-25
Ingress protection rating	-	IPX4
Ingress protection rating of the drive	-	IP44





Dimensions

ØD	ØD1	B	B1	L	L1	L2	L3
314	405	455	415	290	30	30	40



Ecodesign

Trademark	Vents
Model	VKMS 315
Type of drive installed	External MSD or VSD
Type of heat recovery system	None
Nominal flow rate (m ³ /s)	0.195
Nominal external pressure (Pa)	470
Maximum external leakage rates (%)	2.7
Static efficiency (%)	41.4
Declared typology	NRVU UVU
Effective electric power input (kW)	0.226
Sound power level (dB(A))	74