

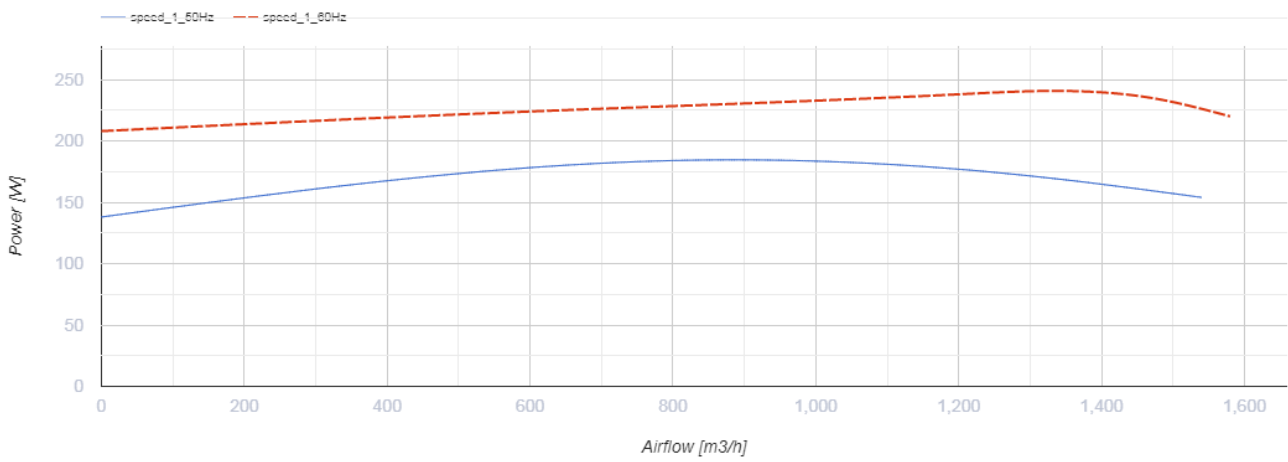
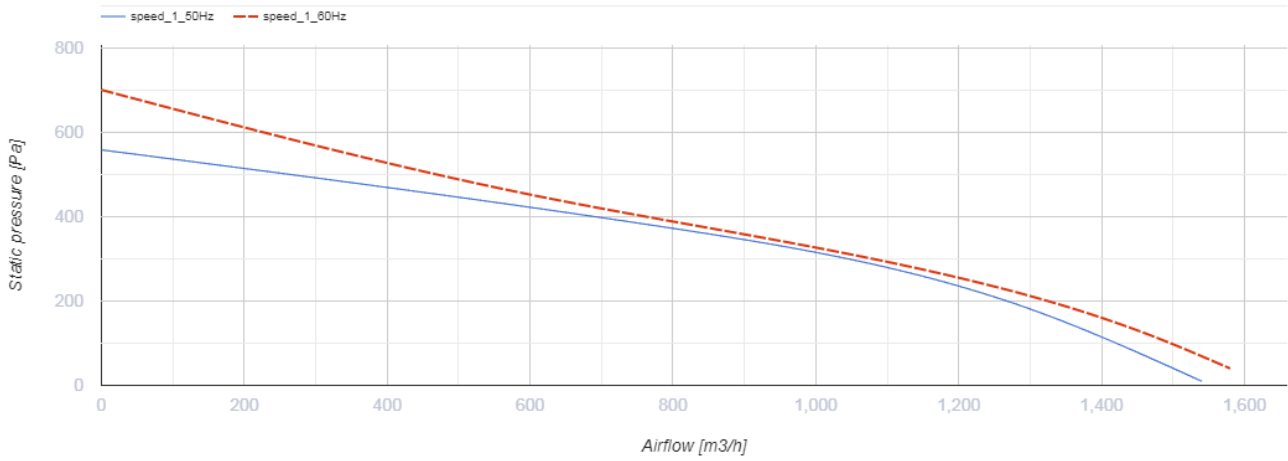
VKMz 315



Centrifugal inline fans in galvanized casings

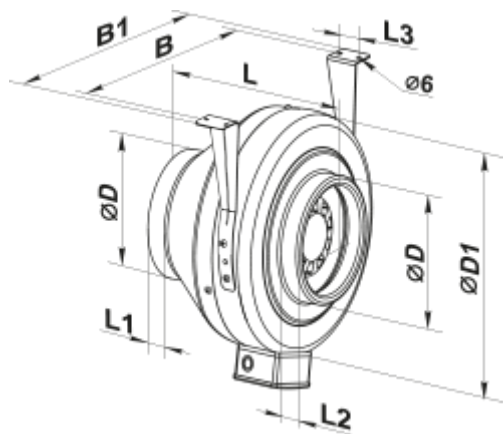
- Maximum airflow: 1540
- Sound pressure level LpA at 3 m: 53
- Motor type: AC
- Impeller type: Centrifugal backward curved blades
- Casing material: Polypropylene/Thermoplastic elastomer
- Installation in any position

	Unit of measurement	VKMz 315
Connected air duct size	mm	315
Speed	-	1
Minimum supply voltage	V	220
Maximum supply voltage	V	240
Power supply frequency	Hz	50/60
Rated power	W	185
Unit current	A	0.81
Maximum airflow	m ³ /h	1540
Sound pressure level LpA at 3 m	dB(A)	53
Weight	kg	6.5
Transported air temperature (max)	°C	45
Transported air temperature (min)	°C	-25
Ingress protection rating	-	IPX4
Ingress protection rating of the drive	-	IP44



Dimensions

ØD	ØD1	B	B1	L	L1	L2	L3
313	402	410	450	308	33	55	40



Ecodesign

Trademark	Vents
Model	VKMz 315
Type of drive installed	External MSD or VSD
Type of heat recovery system	None
Nominal flow rate (m ³ /s)	0.267
Nominal external pressure (Pa)	318
Maximum external leakage rates (%)	2.7
Static efficiency (%)	47.9
Declared typology	NRVU UVU
Effective electric power input (kW)	0.181
Sound power level (dB(A))	73