

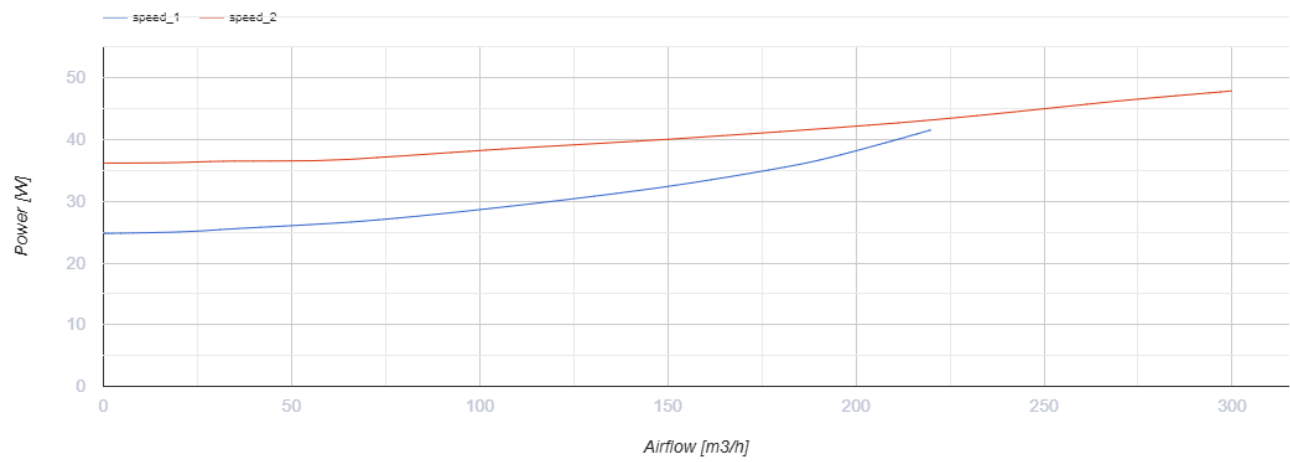
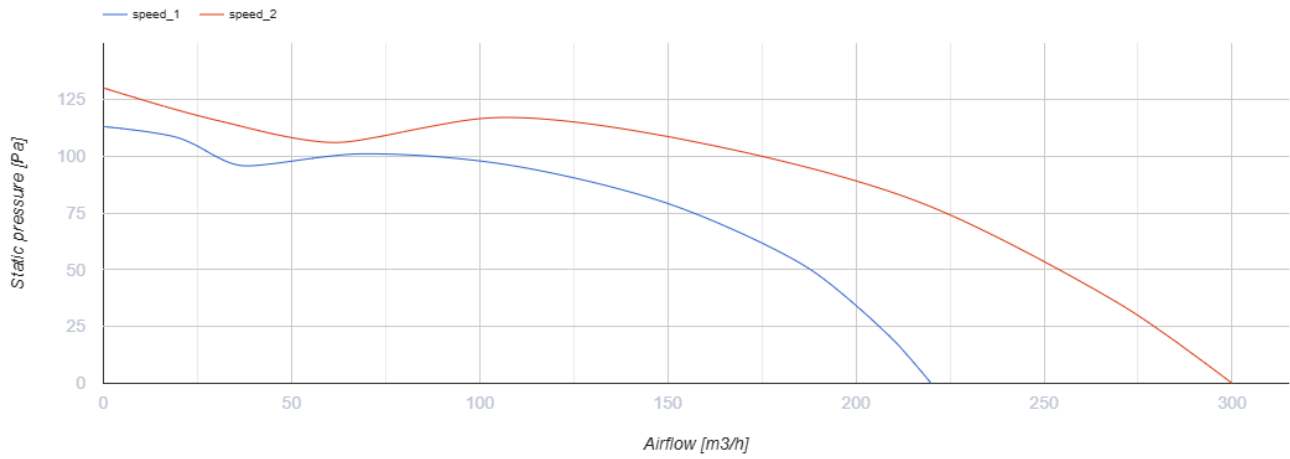
# VKP 125 mini Duo



Compact centrifugal fans in steel casing with permanent air flow maintaining at alternating pressure in the system

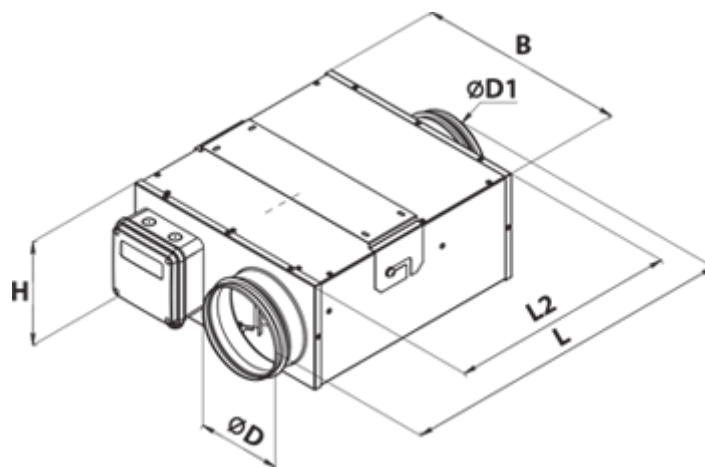
- Maximum airflow: 300
- Sound pressure level LpA at 3 m: 45
- Motor type: AC
- Impeller type: Centrifugal backward curved blades
- Casing material: Polypropylene/Thermoplastic elastomer
- Installation in any position

	Unit of measurement	VKP 125 mini Duo	
Connected air duct size	mm	125	
Speed	-	2	
Minimum supply voltage	V	230	
Maximum supply voltage	V	230	
Power supply frequency	Hz	50	
Rated power	W	42	48
Unit current	A	0.18	0.22
Maximum airflow	m <sup>3</sup> /h	220	300
Sound pressure level LpA at 3 m	dB(A)	39	45
Weight	kg	6	
Transported air temperature (max)	°C	50	
Ingress protection rating	-	IPX4	
Ingress protection rating of the drive	-	IP44	

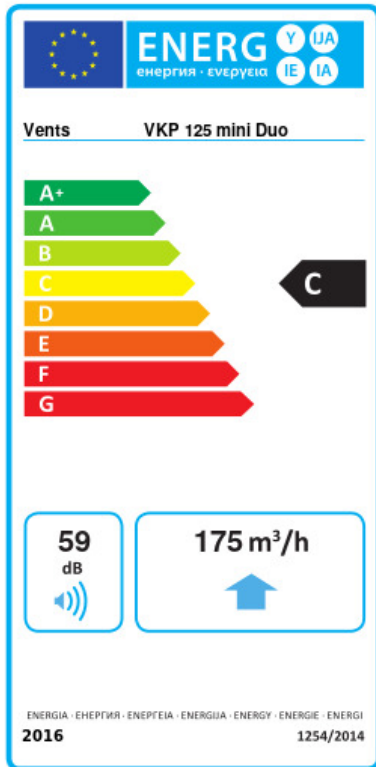


## Dimensions

ØD	ØD1	B	H	L	L2
124	124	303	152	430	330



## Ecodesign



Trademark	Vents					
Model	VKP 125 mini Duo					
Specific energy consumption (SEC) (kWh/(m <sup>2</sup> /a))	Cold		Average		Warm	
	-52	A+	-25	C	-9.4	F
Type of ventilation unit	Unidirectional					
Type of drive installed	Variable speed					
Type of heat recovery system	None					
Maximum flow rate (m <sup>3</sup> /h)	175					
Electric power input (W)	43					
Reference flow rate (m <sup>3</sup> /s)	0.034					
Reference pressure difference (Pa)	50					
Specific power input (SPI) (W/(m <sup>3</sup> /h))	0.253					
Control typology	Local demand control					
Maximum external leakage rates (%)	2.7					
Declared typology	RVU UVU					
Sound power level (dB(A))	59					
The annual electricity consumption (AEC) (kWh/a)	Cold		Average		Warm	
	134		134		134	
The annual heating saved (AHS) (kWh/a)	Cold		Average		Warm	
	5536		2830		1280	