

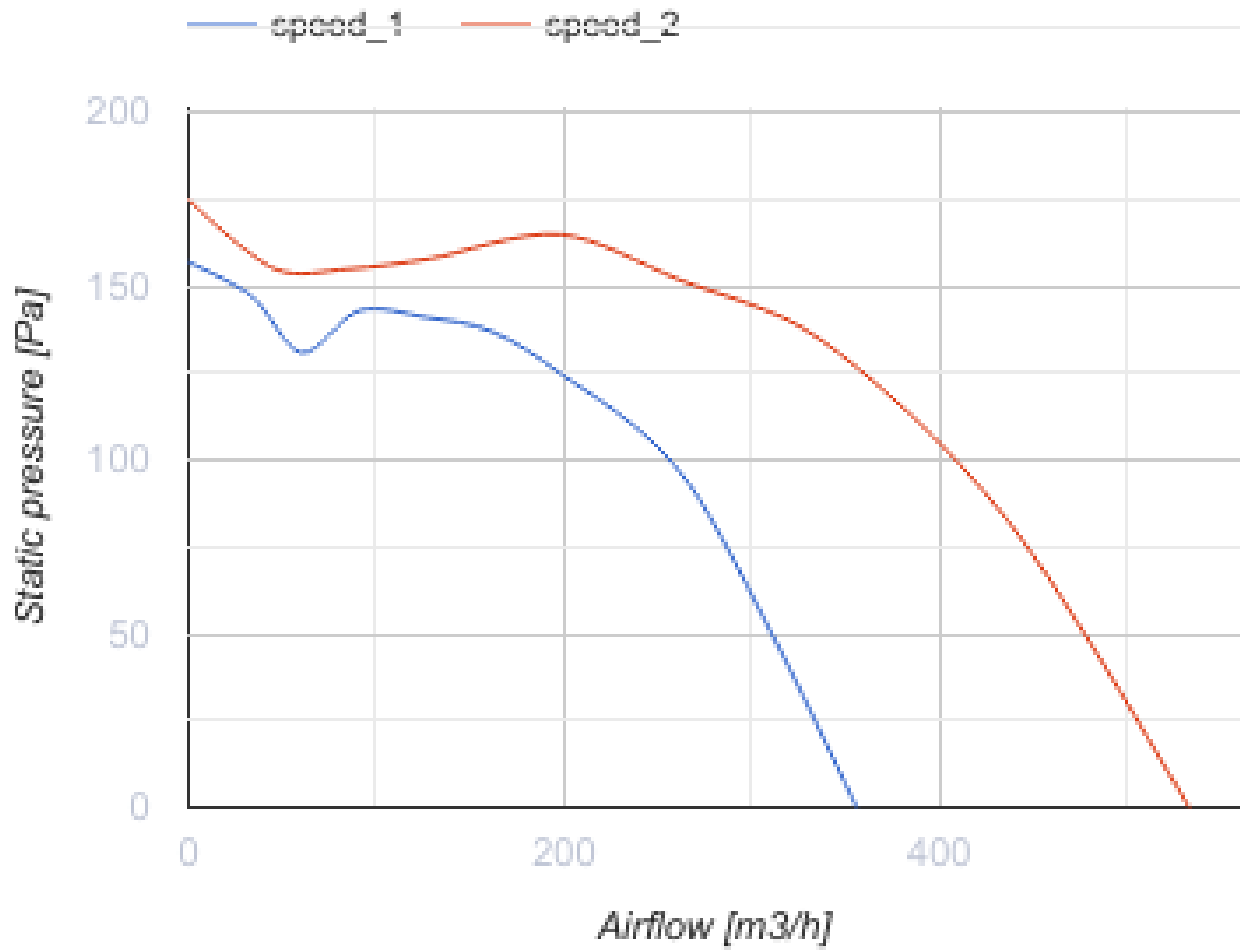
VKP 150 mini Duo

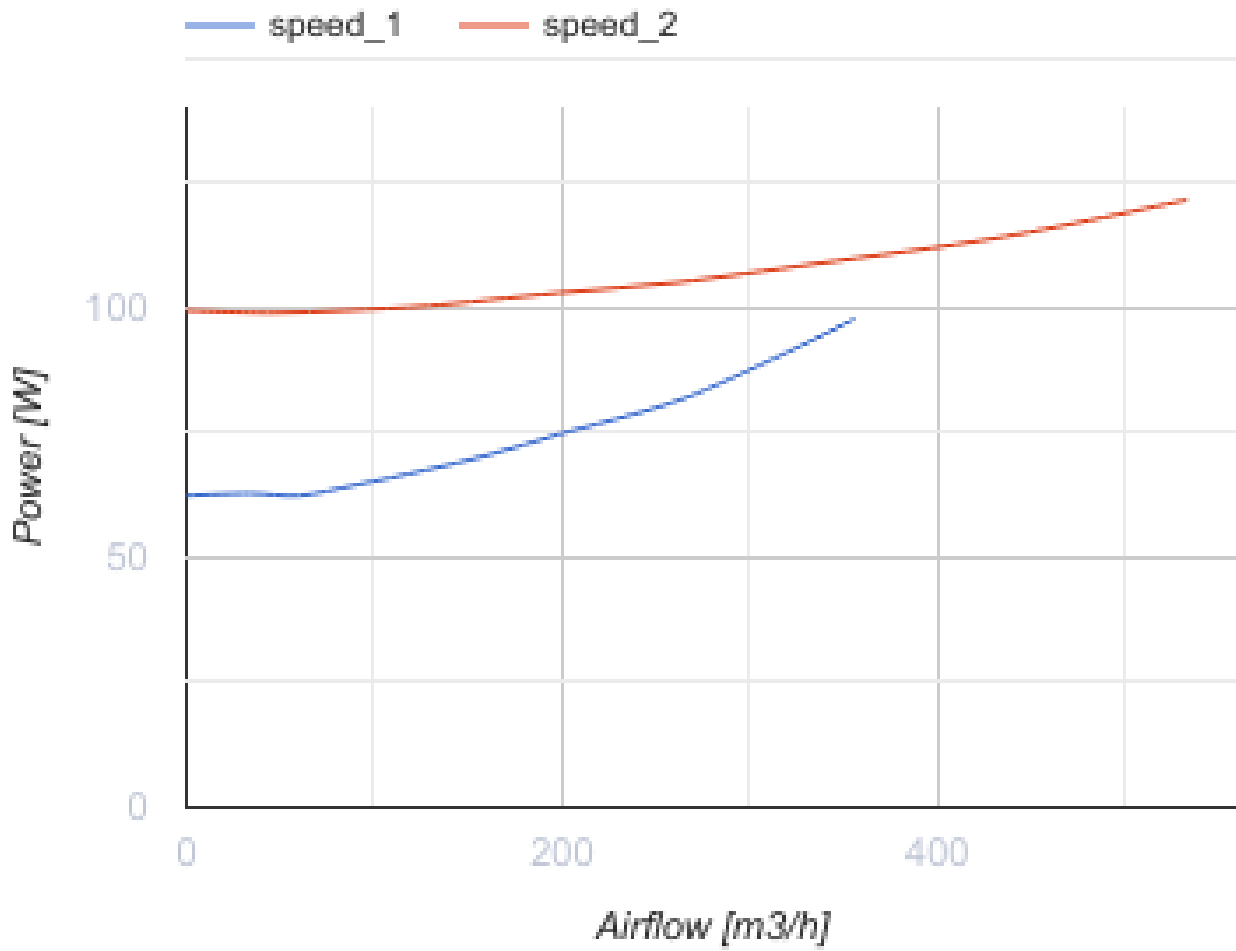


Compact centrifugal fans in steel casing with permanent air flow maintaining at alternating pressure in the system

- Maximum airflow: 533
- Sound pressure level LpA at 3 m: 46
- Motor type: AC
- Impeller type: Centrifugal backward curved blades
- Casing material: Polypropylene/Thermoplastic elastomer
- Installation in any position

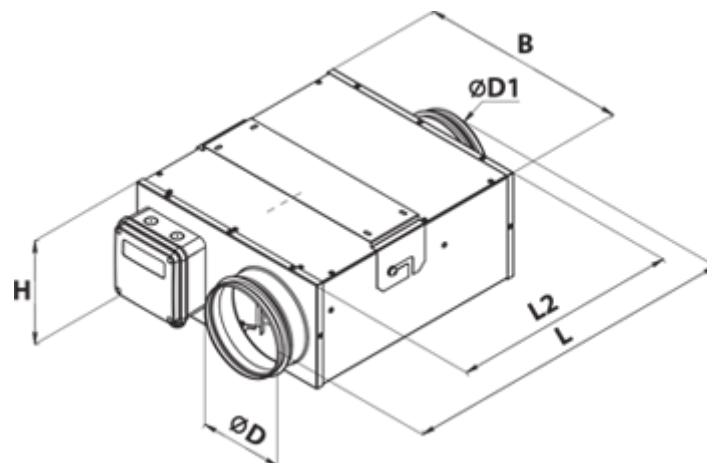
	Unit of measurement	VKP 150 mini Duo	
Connected air duct size	mm	150	
Speed	-	2	
Minimum supply voltage	V	230	
Maximum supply voltage	V	230	
Power supply frequency	Hz	50	
Rated power	W	98	122
Unit current	A	0.43	0.56
Maximum airflow	m ³ /h	356	533
Sound pressure level LpA at 3 m	dB(A)	45	46
Weight	kg	7.7	
Transported air temperature (max)	°C	50	
Ingress protection rating	-	IPX4	
Ingress protection rating of the drive	-	IP44	



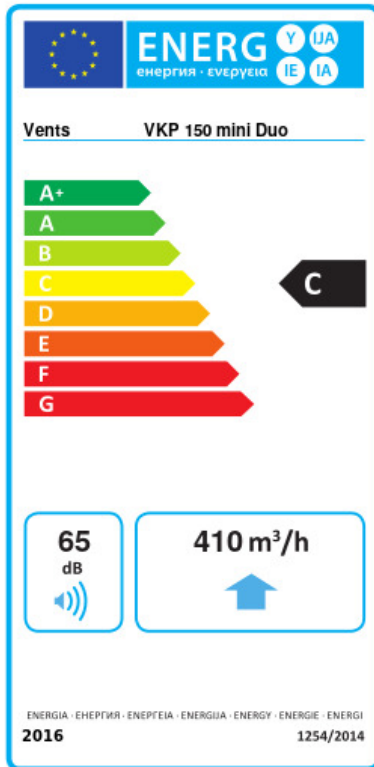


Dimensions

$\varnothing D$	$\varnothing D1$	B	H	L	L2
149	149	340	207	447	350



Ecodesign



Trademark	Vents					
Model	VKP 150 mini Duo					
Specific energy consumption (SEC) (kWh/(m ² /a))	Cold	Average	Warm			
	-51.5	A+	-24.5	C	-9	F
Type of ventilation unit	Unidirectional					
Type of drive installed	Variable speed					
Type of heat recovery system	None					
Maximum flow rate (m ³ /h)	410					
Electric power input (W)	111					
Reference flow rate (m ³ /s)	0.08					
Reference pressure difference (Pa)	50					
Specific power input (SPI) (W/(m ³ /h))	0.289					
Control typology	Local demand control					
Maximum external leakage rates (%)	2.7					
Declared typology	RVU UVU					
Sound power level (dB(A))	65					
The annual electricity consumption (AEC) (kWh/a)	Cold	Average	Warm			
	153	153	153			
The annual heating saved (AHS) (kWh/a)	Cold	Average	Warm			
	5536	2830	1280			