

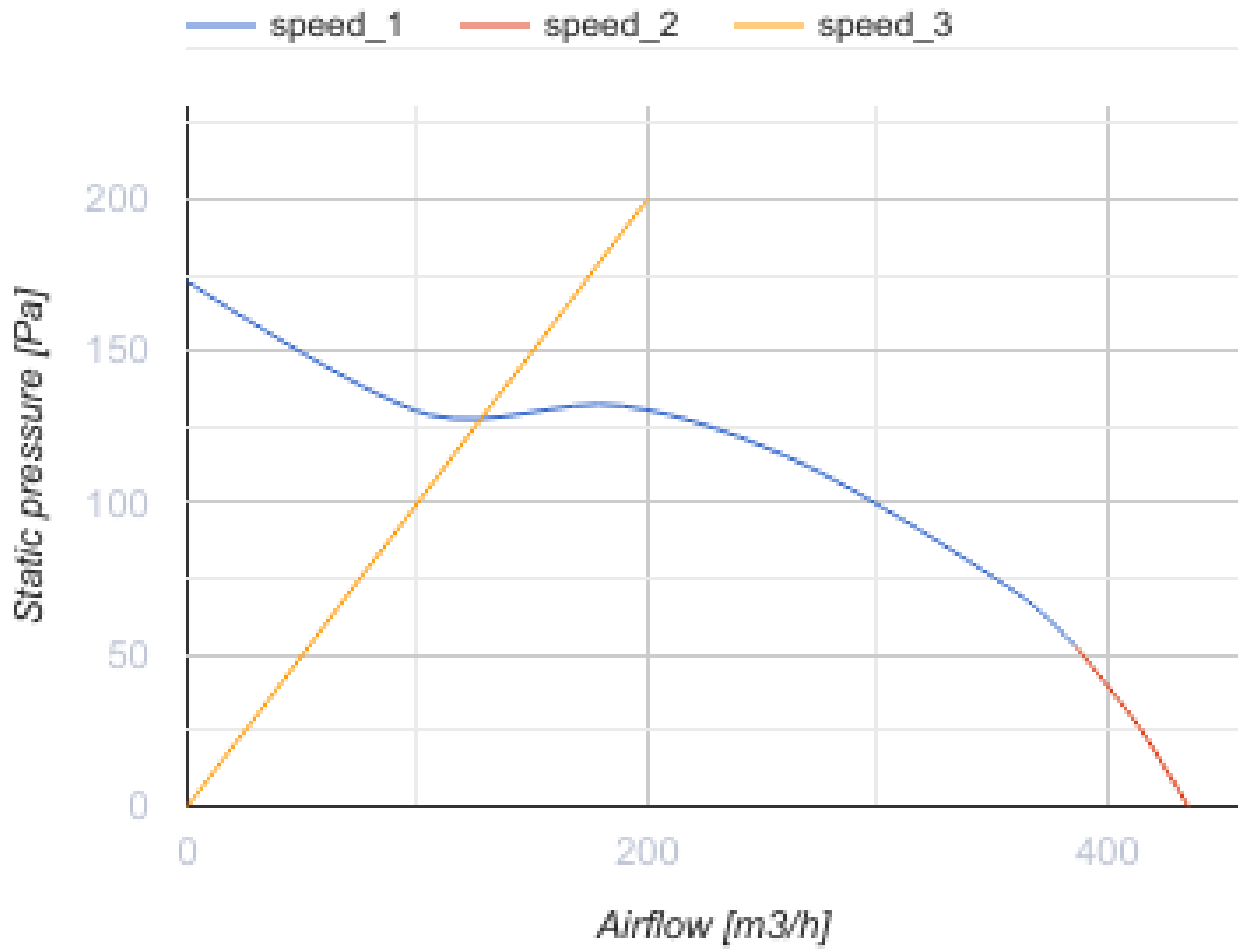
VKP 200 mini Duo



Compact centrifugal fans in steel casing with permanent air flow maintaining at alternating pressure in the system

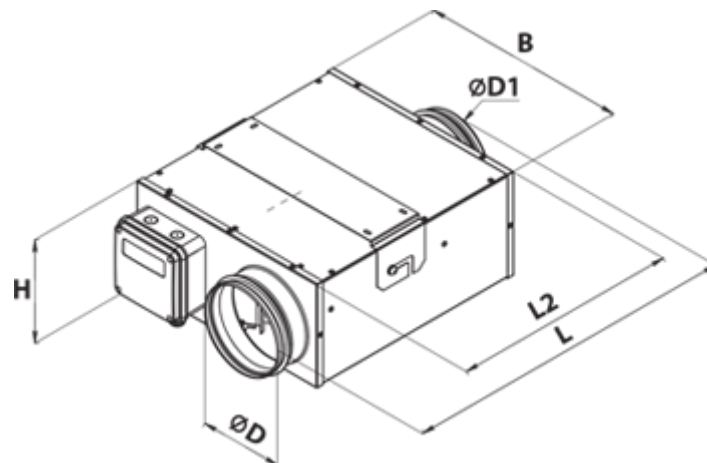
- Maximum airflow: 1200
- Sound pressure level LpA at 3 m: 48
- Motor type: AC
- Impeller type: Centrifugal backward curved blades
- Casing material: Polypropylene/Thermoplastic elastomer
- Installation in any position

	Unit of measurement	VKP 200 mini Duo	
Connected air duct size	mm	200	
Speed	-	2	
Minimum supply voltage	V	230	
Maximum supply voltage	V	230	
Power supply frequency	Hz	50	
Rated power	W	103	142
Unit current	A	0.45	0.63
Maximum airflow	m ³ /h	770	1200
Sound pressure level LpA at 3 m	dB(A)	46	48
Weight	kg	8.8	
Transported air temperature (max)	°C	50	
Ingress protection rating	-	IPX4	
Ingress protection rating of the drive	-	IP44	

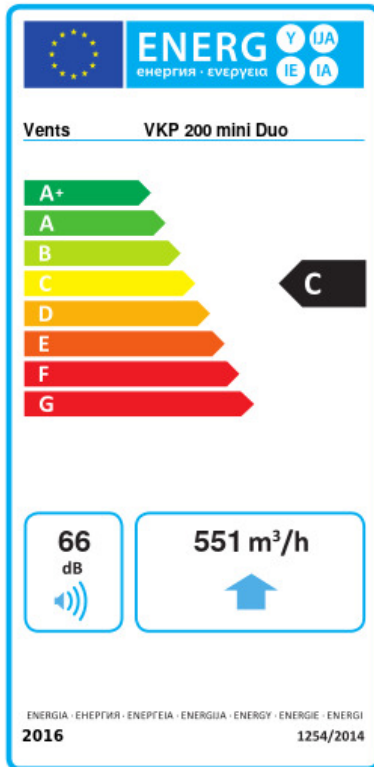


Dimensions

ØD	ØD1	B	H	L	L2
198	198	362	222	494	397



Ecodesign



Trademark	Vents					
Model	VKP 200 mini Duo					
Specific energy consumption (SEC) (kWh/(m ² /a))	Cold		Average		Warm	
	-51.8	A+	-24.8	C	-9.3	F
Type of ventilation unit	Unidirectional					
Type of drive installed	Variable speed					
Type of heat recovery system	None					
Maximum flow rate (m ³ /h)	551					
Electric power input (W)	123					
Reference flow rate (m ³ /s)	0.107					
Reference pressure difference (Pa)	50					
Specific power input (SPI) (W/(m ³ /h))	0.267					
Control typology	Local demand control					
Maximum external leakage rates (%)	2.7					
Declared typology	RVU UVU					
Sound power level (dB(A))	66					
The annual electricity consumption (AEC) (kWh/a)	Cold		Average		Warm	
	141		141		141	
The annual heating saved (AHS) (kWh/a)	Cold		Average		Warm	
	5536		2830		1280	