

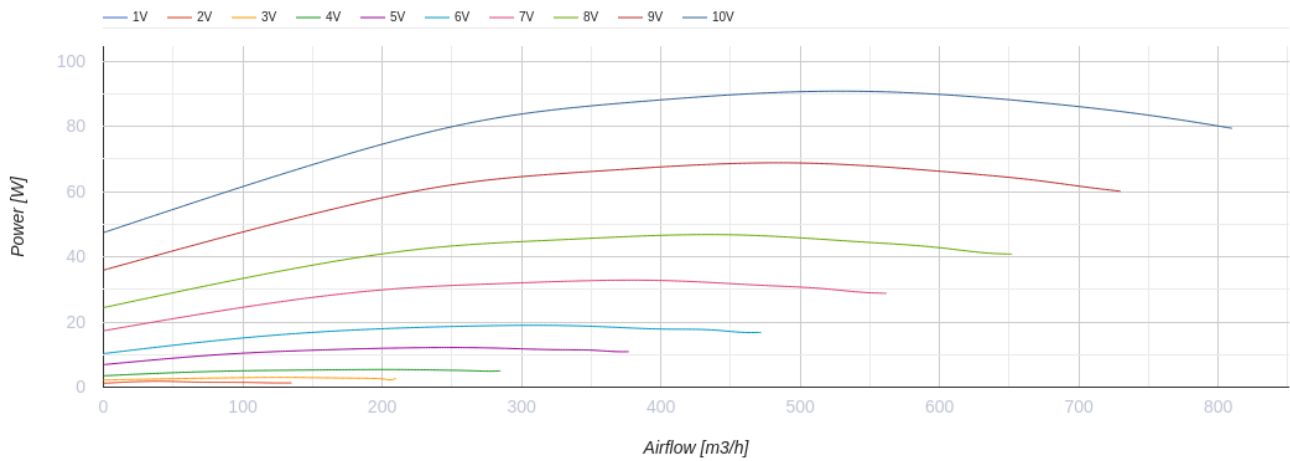
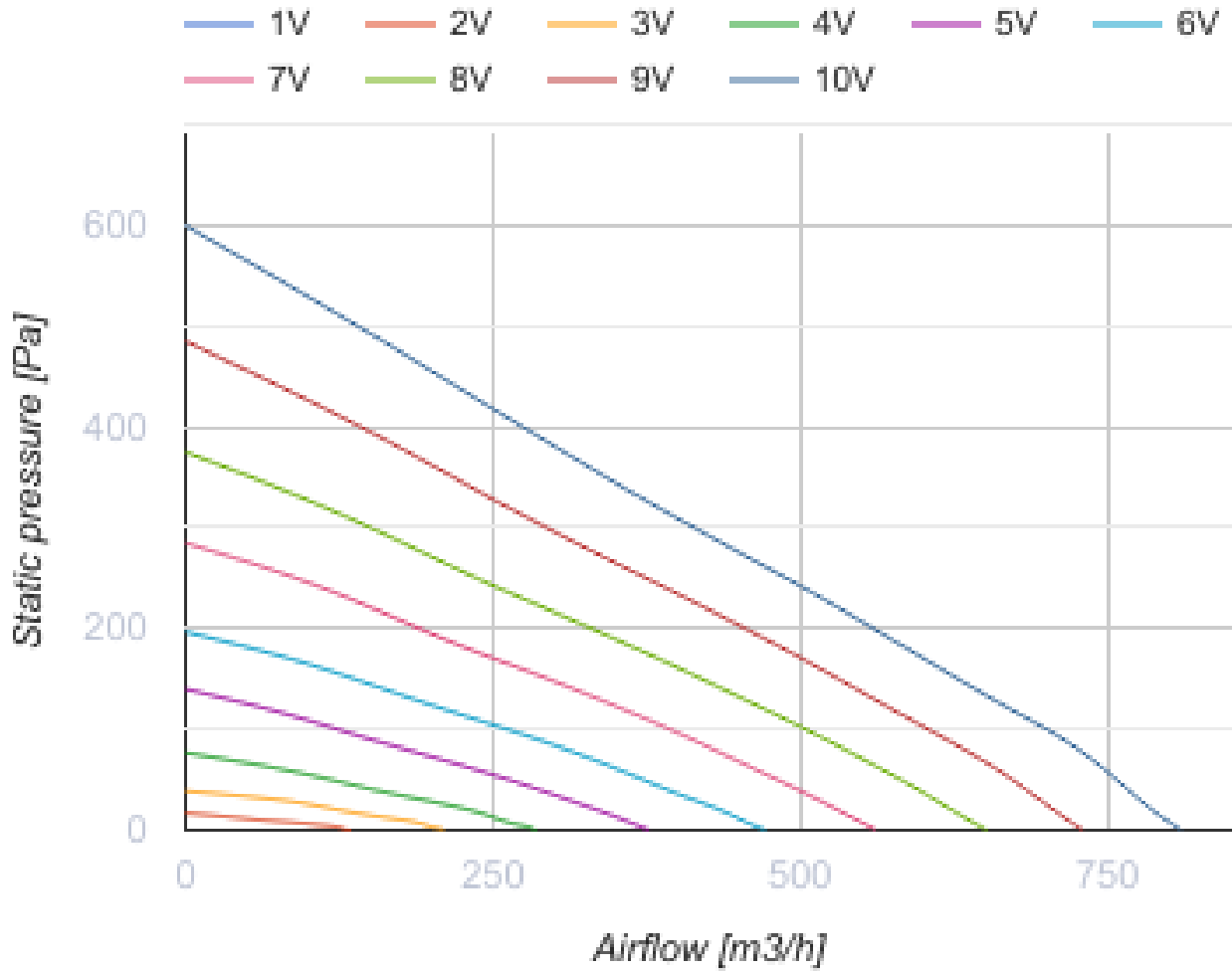
VKP 400x200 M1 EC

Centrifugal inline fans with backward curved blades with EC-motors



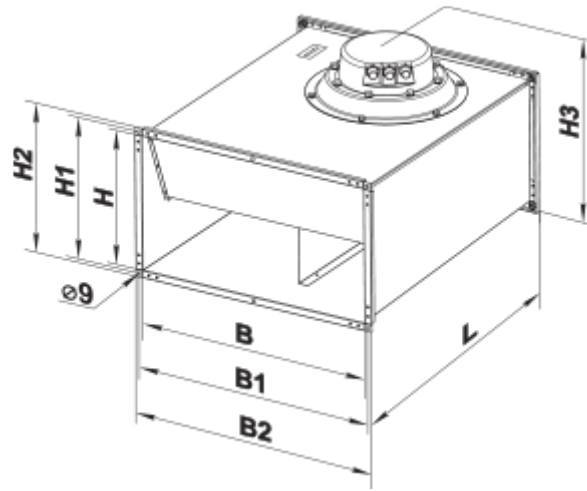
- Maximum airflow: 810
- Sound pressure level LpA at 3 m: 43
- Motor type: EC
- Impeller type: Centrifugal backward curved blades
- Casing material: Galvanized steel
- Installation in any position

	Unit of measurement	VKP 400x200 M1 EC
Connected air duct size	mm	400x200
Speed	-	1
Minimum supply voltage	V	230
Maximum supply voltage	V	230
Power supply frequency	Hz	50/60
Rated power	W	91
Unit current	A	0.69
Maximum airflow	m ³ /h	810
Sound pressure level LpA at 3 m	dB(A)	43
Weight	kg	8.3
Transported air temperature (max)	°C	50
Transported air temperature (min)	°C	-25
Ingress protection rating	-	IPX4
Ingress protection rating of the drive	-	IP55

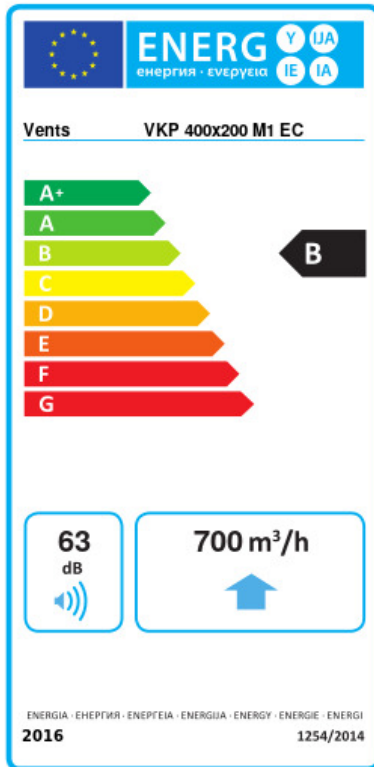


Dimensions

B	B1	B2	H	H1	H2	H3	L
400	420	440	200	220	240	278	440



Ecodesign



Trademark	Vents					
Model	VKP 400x200 M1 EC					
Specific energy consumption (SEC) (kWh/(m²/a))	Cold		Average		Warm	
	-54.5	A+	-27.5	B	-12	E
Type of ventilation unit	Unidirectional					
Type of drive installed	Variable speed					
Type of heat recovery system	None					
Maximum flow rate (m³/h)	700					
Electric power input (W)	84					
Reference flow rate (m³/s)	0.136					
Reference pressure difference (Pa)	50					
Specific power input (SPI) (W/(m³/h))	0.063					
Control typology	Local demand control					
Maximum external leakage rates (%)	2.7					
Declared typology	RVU UVU					
Sound power level (dB(A))	63					
The annual electricity consumption (AEC) (kWh/a)	Cold		Average		Warm	
	33		33		33	
The annual heating saved (AHS) (kWh/a)	Cold		Average		Warm	
	5536		2830		1280	