

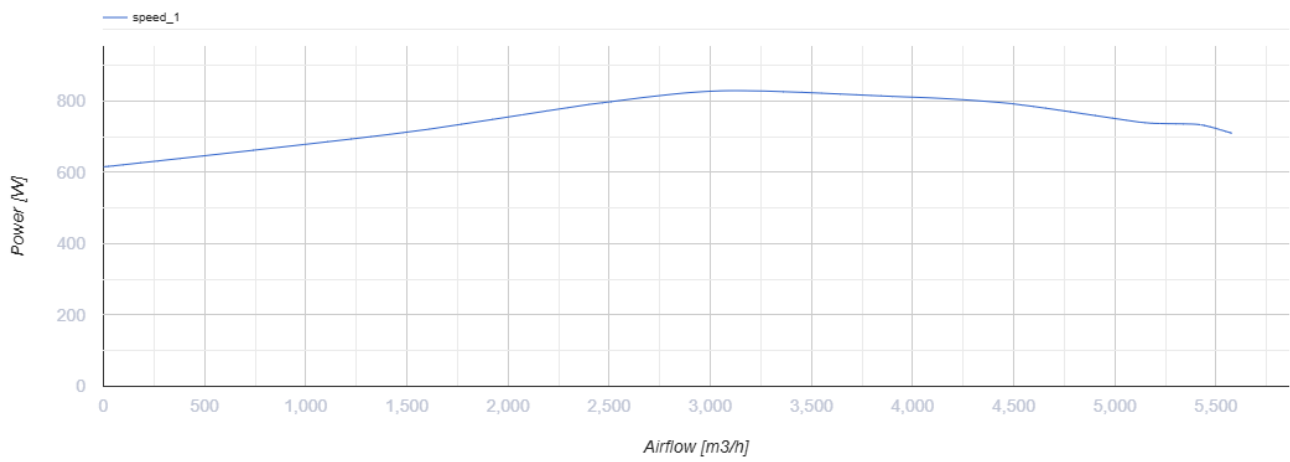
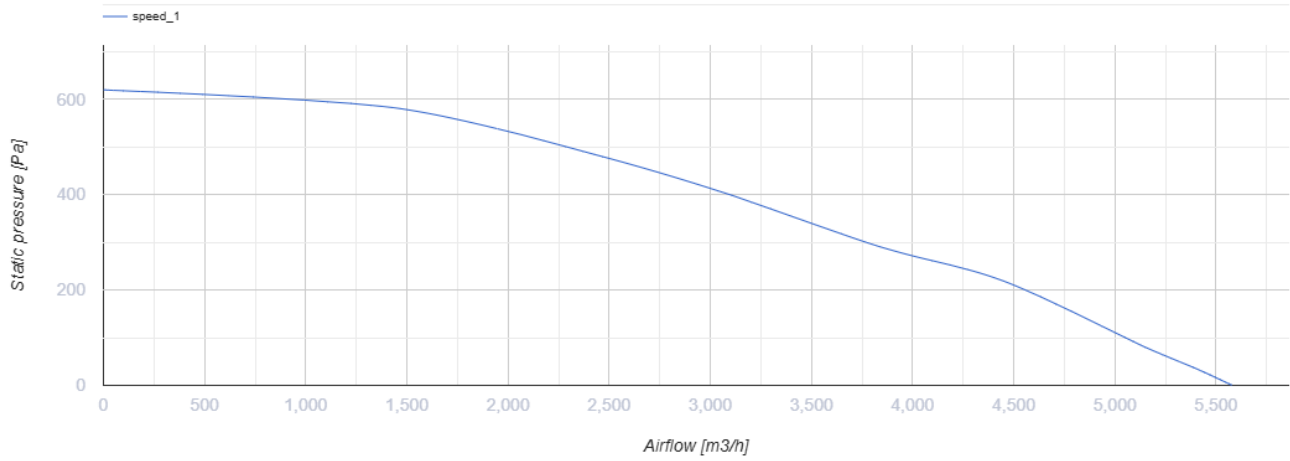
VKP 4D 700x400



Centrifugal fans for rectangular ducts

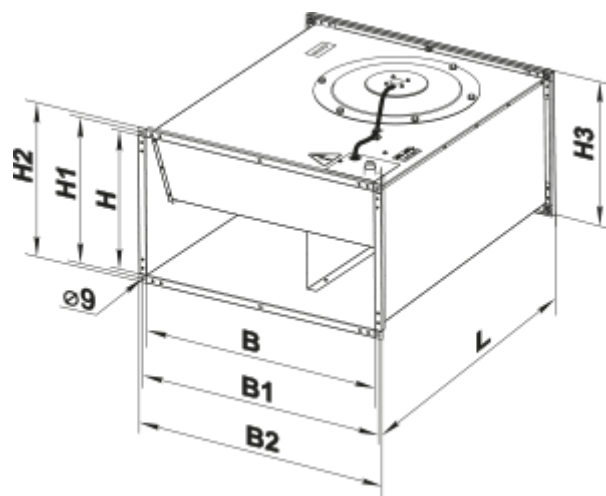
- Maximum airflow: 5580
- Sound pressure level LpA at 3 m: 57
- Motor type: AC
- Impeller type: Centrifugal backward curved blades
- Casing material: Galvanized steel
- Installation in any position

	Unit of measurement	VKP 4D 700x400
Connected air duct size	mm	700x400
Minimum supply voltage	V	400
Maximum supply voltage	V	400
Power supply frequency	Hz	50
Rated power	W	828
Unit current	A	1.62
Maximum airflow	m ³ /h	5580
Sound pressure level LpA at 3 m	dB(A)	57
Weight	kg	41
Transported air temperature (max)	°C	60
Transported air temperature (min)	°C	-30
Ingress protection rating	-	IPX4
Ingress protection rating of the drive	-	IP44



Dimensions

B	B1	B2	H	H1	H2	H3	L
700	720	740	400	420	440	440	753



Ecodesign

Trademark	Vents
Model	VKP 4D 700x400
Type of drive installed	External MSD or VSD
Type of heat recovery system	None
Nominal flow rate (m ³ /s)	0.844
Nominal external pressure (Pa)	408
Maximum external leakage rates (%)	2.7
Static efficiency (%)	42.5
Declared typology	NRVU UVU
Sound power level (dB(A))	81
Effective electric power input (kW)	0.828