

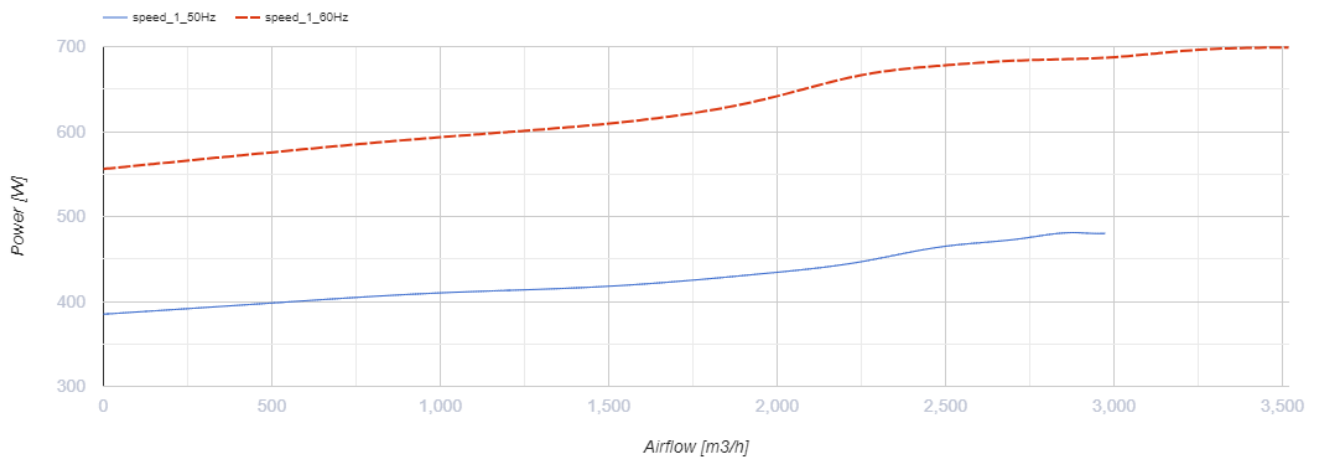
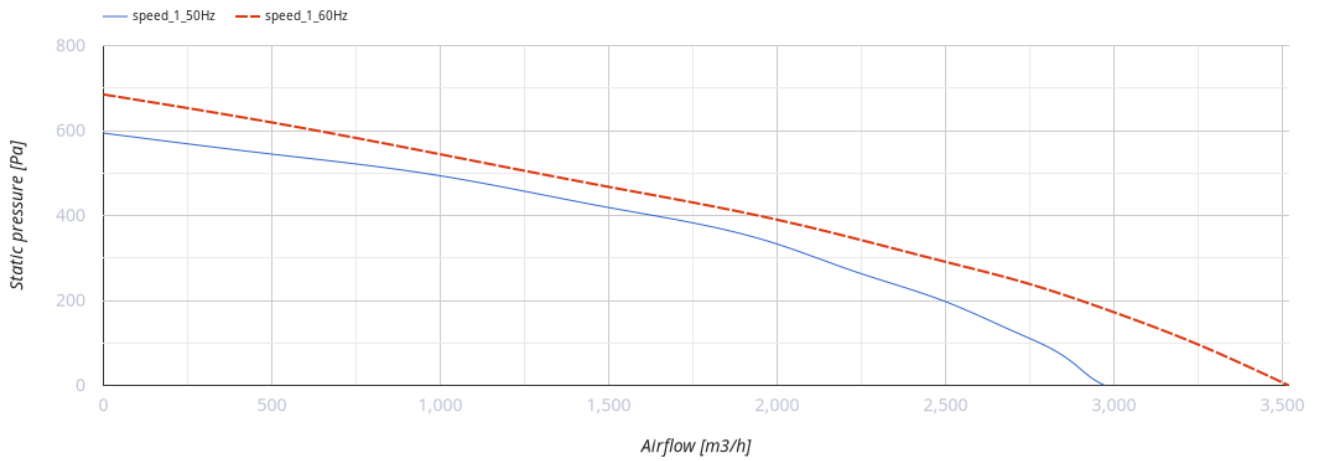
VKP 4E 600x350



Centrifugal fans for rectangular ducts

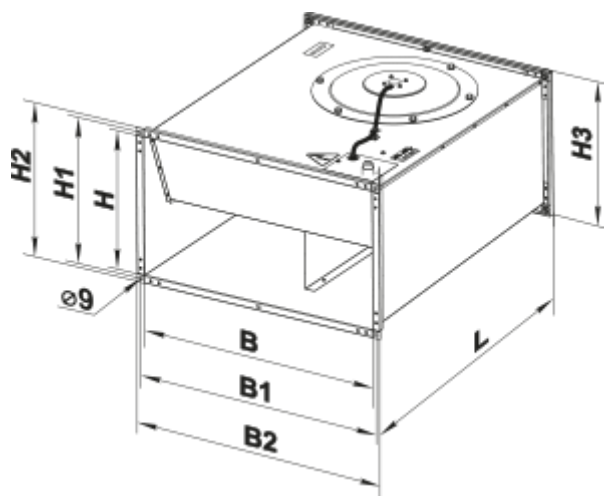
- Maximum airflow: 2950
- Sound pressure level LpA at 3 m: 52
- Motor type: AC
- Impeller type: Centrifugal backward curved blades
- Casing material: Galvanized steel
- Installation in any position

	Unit of measurement	VKP 4E 600x350
Connected air duct size	mm	600x350
Minimum supply voltage	V	220
Maximum supply voltage	V	240
Power supply frequency	Hz	50/60
Rated power	W	470
Unit current	A	2.37
Maximum airflow	m ³ /h	2950
Sound pressure level LpA at 3 m	dB(A)	52
Weight	kg	36.38
Transported air temperature (max)	°C	80
Transported air temperature (min)	°C	-30
Ingress protection rating	-	IPX4
Ingress protection rating of the drive	-	IP44



Dimensions

B	B1	B2	H	H1	H2	H3	L
600	620	640	350	370	390	390	735



Ecodesign

Trademark	Vents
Model	VKP 4E 600x350
Type of drive installed	External MSD or VSD
Type of heat recovery system	None
Nominal flow rate (m ³ /s)	0.55
Nominal external pressure (Pa)	335
Maximum external leakage rates (%)	2.7
Static efficiency (%)	43.7
Sound power level (dB(A))	87
Effective electric power input (kW)	0.43
Declared typology	NRVU UVU