

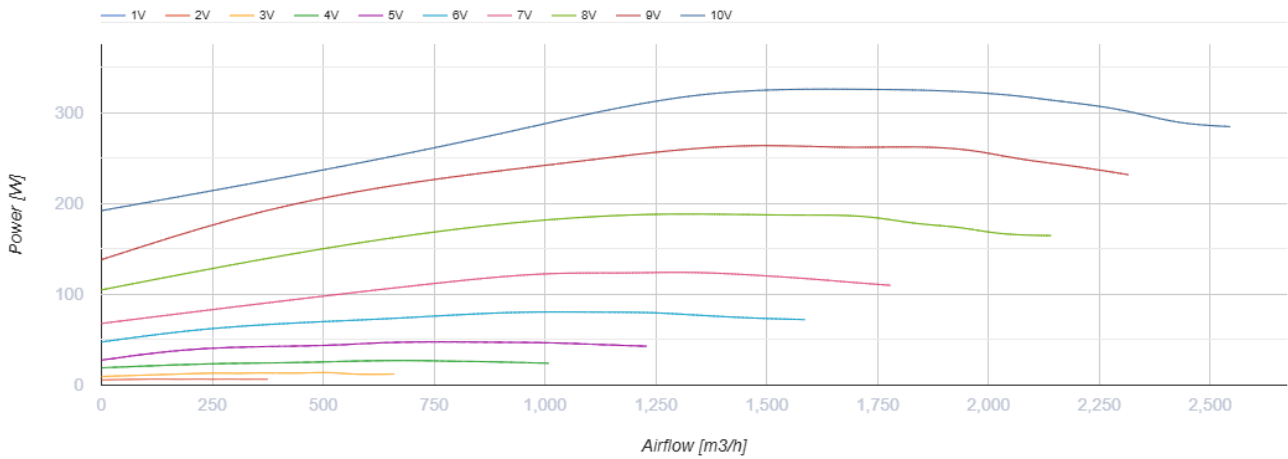
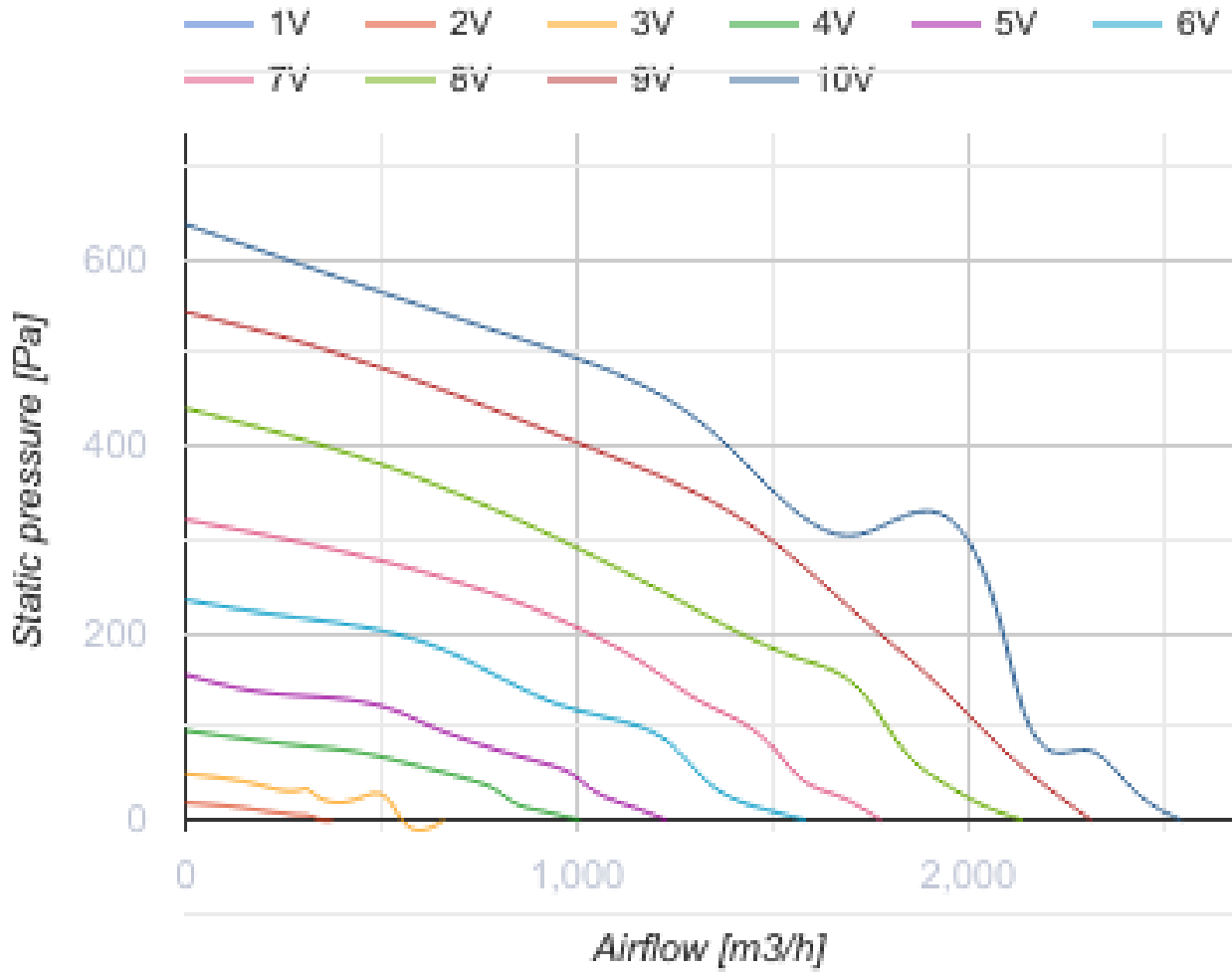
VKP 600x300 M1 EC

Centrifugal inline fans with backward curved blades with EC-motors



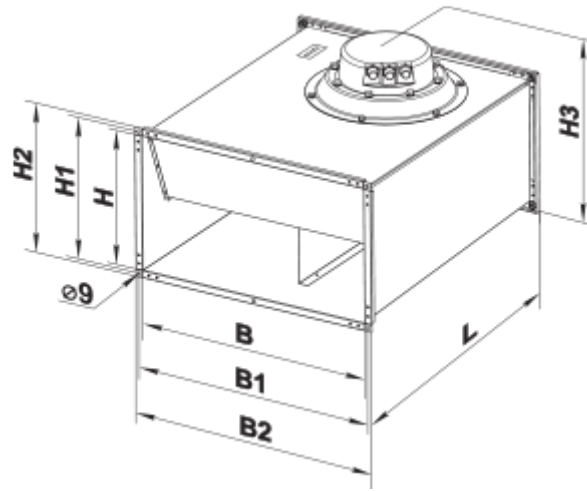
- Maximum airflow: 2545
- Sound pressure level LpA at 3 m: 48
- Motor type: EC
- Impeller type: Centrifugal backward curved blades
- Casing material: Galvanized steel
- Installation in any position

	Unit of measurement	VKP 600x300 M1 EC
Connected air duct size	mm	600x300
Speed	-	1
Minimum supply voltage	V	230
Maximum supply voltage	V	230
Power supply frequency	Hz	50/60
Rated power	W	326
Unit current	A	2.45
Maximum airflow	m ³ /h	2545
Sound pressure level LpA at 3 m	dB(A)	48
Weight	kg	24.1
Transported air temperature (max)	°C	50
Transported air temperature (min)	°C	-25
Ingress protection rating	-	IPX4
Ingress protection rating of the drive	-	IP54



Dimensions

B	B1	B2	H	H1	H2	H3	L
600	620	640	300	320	340	407	650



Ecodesign

Trademark	Vents
Model	VKP 600x300 M1 EC
Type of drive installed	Integrated VSD
Type of heat recovery system	None
Nominal flow rate (m ³ /s)	0.301
Nominal external pressure (Pa)	390
Maximum external leakage rates (%)	2.7
Static efficiency (%)	54.8
Declared typology	NRVU UVU
Effective electric power input (kW)	0.247
Sound power level (dB(A))	68