

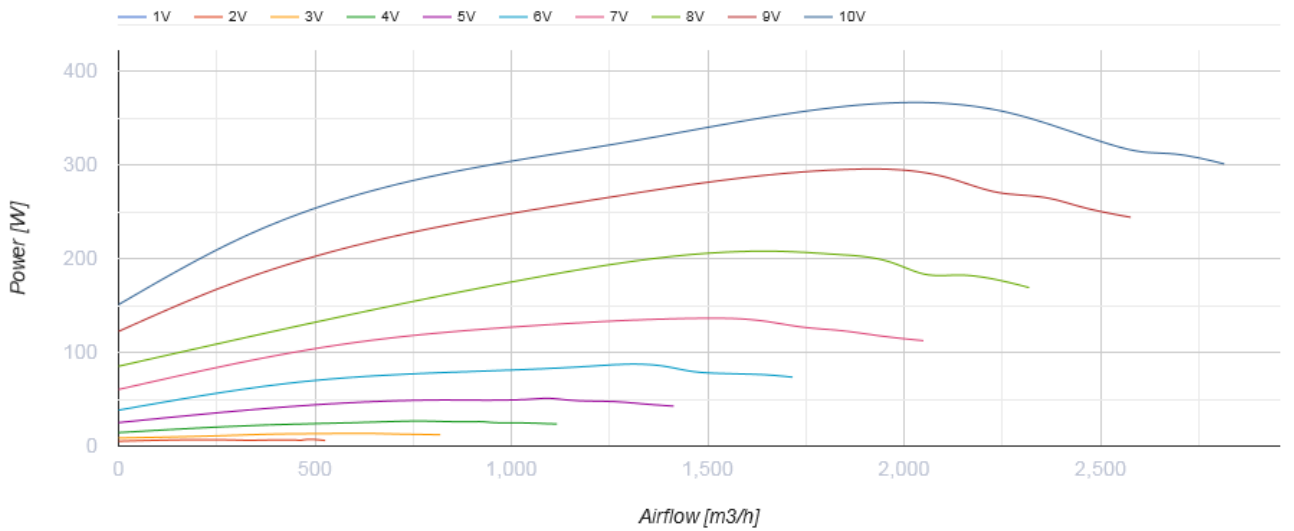
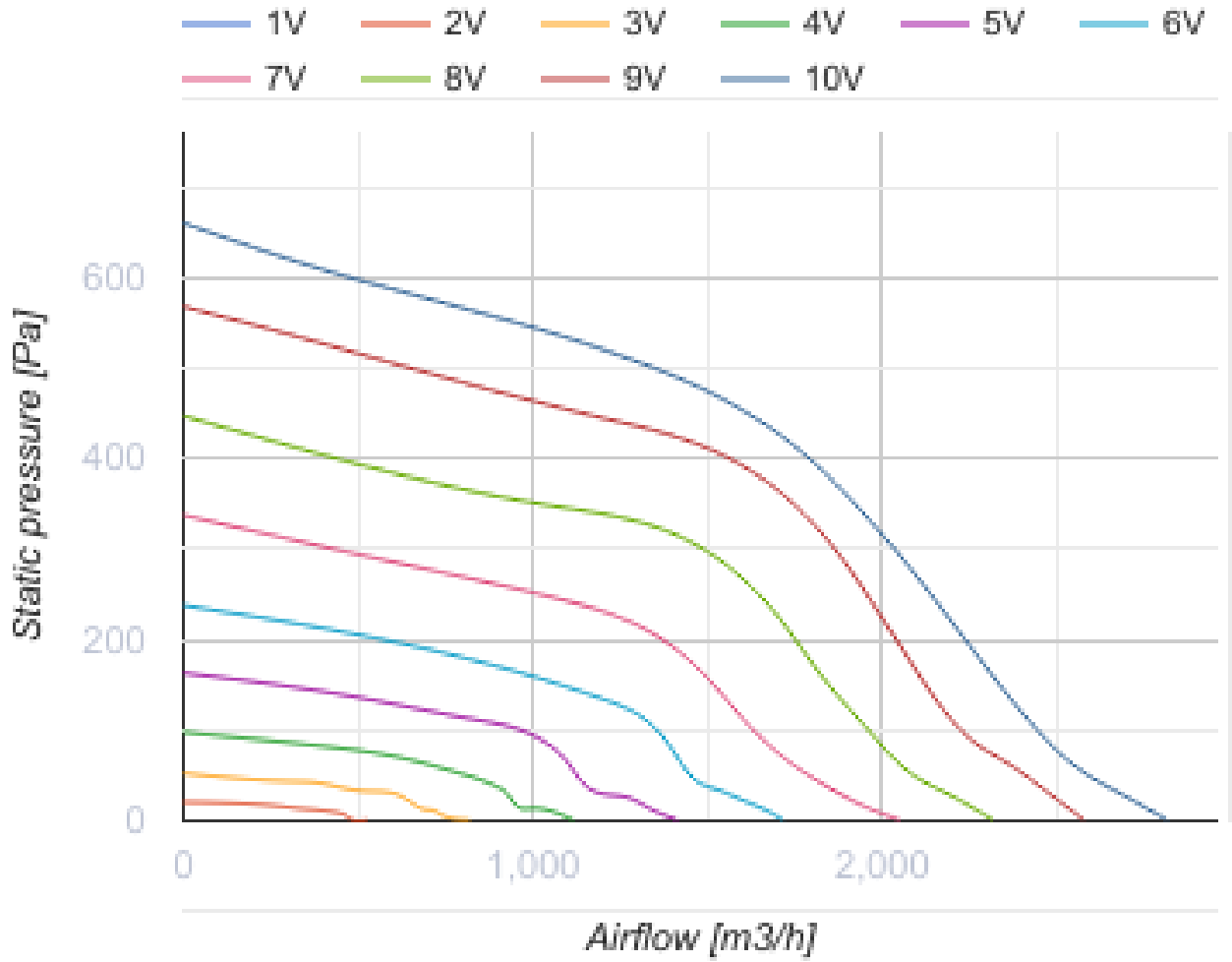
# VKP 600x350 M1 EC

Centrifugal fans for rectangular ducts



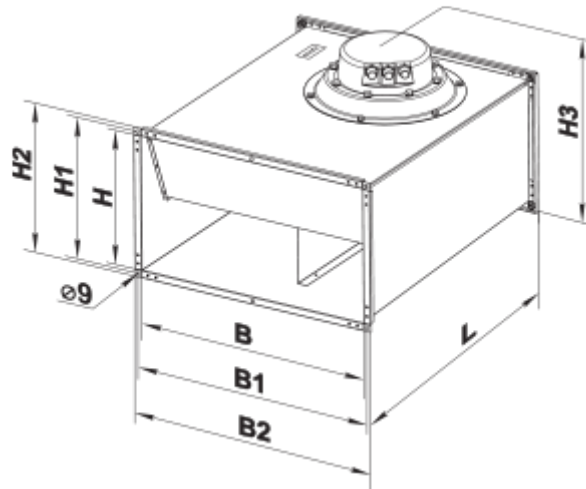
- Maximum airflow: 2815
- Sound pressure level LpA at 3 m: 49
- Motor type: EC
- Impeller type: Centrifugal backward curved blades
- Casing material: Galvanized steel
- Installation in any position

	Unit of measurement	VKP 600x350 M1 EC
Connected air duct size	mm	600x350
Speed	-	1
Minimum supply voltage	V	230
Maximum supply voltage	V	230
Power supply frequency	Hz	50/60
Rated power	W	361
Unit current	A	2.62
Maximum airflow	m <sup>3</sup> /h	2815
Sound pressure level LpA at 3 m	dB(A)	49
Weight	kg	25.2
Transported air temperature (max)	°C	50
Transported air temperature (min)	°C	-25
Ingress protection rating	-	IPX4
Ingress protection rating of the drive	-	IP54



**Dimensions**

<b>B</b>	<b>B1</b>	<b>B2</b>	<b>H</b>	<b>H1</b>	<b>H2</b>	<b>H3</b>	<b>L</b>
600	620	640	350	370	390	457	650



## Ecodesign

Trademark	Vents
Model	VKP 600x350 M1 EC
Type of drive installed	Integrated VSD
Type of heat recovery system	None
Nominal flow rate (m <sup>3</sup> /s)	0.335
Nominal external pressure (Pa)	445
Maximum external leakage rates (%)	2.7
Static efficiency (%)	65.3
Declared typology	NRVU UVU
Sound power level (dB(A))	69
Effective electric power input (kW)	0.263