

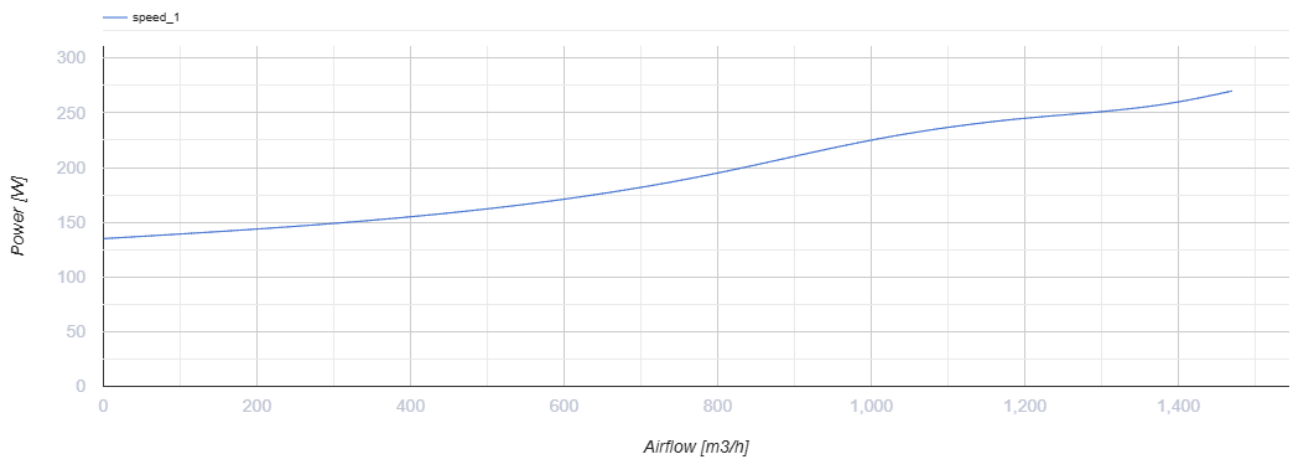
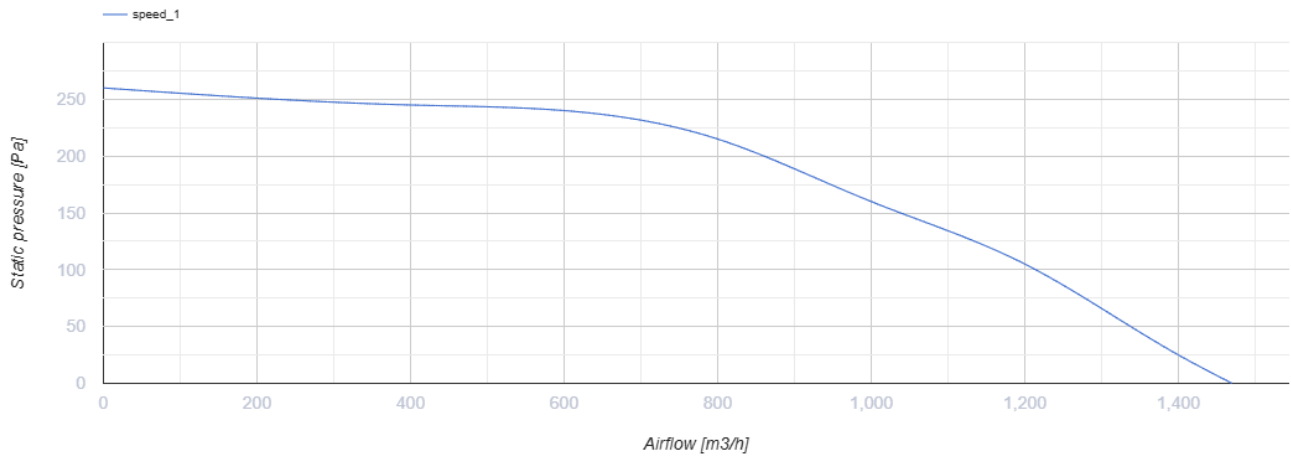
VKPF 4D 400x200



Inline centrifugal fans for rectangular ducts

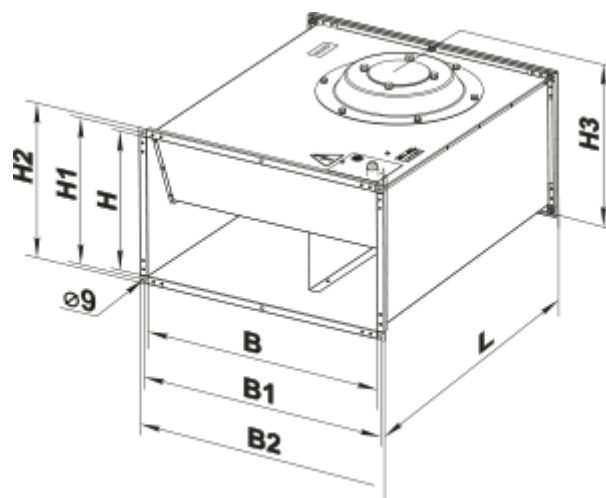
- Maximum airflow: 1470
- Sound pressure level LpA at 3 m: 52
- Motor type: AC
- Impeller type: Centrifugal forward curved blades
- Casing material: Galvanized steel
- Installation in any position

	Unit of measurement	VKPF 4D 400x200
Connected air duct size	mm	400x200
Speed	-	1
Minimum supply voltage	V	400
Maximum supply voltage	V	400
Power supply frequency	Hz	50
Rated power	W	282
Unit current	A	0.6
Maximum airflow	m ³ /h	1470
Sound pressure level LpA at 3 m	dB(A)	52
Weight	kg	17.5
Transported air temperature (max)	°C	45
Transported air temperature (min)	°C	-25
Ingress protection rating	-	IPX4
Ingress protection rating of the drive	-	IP44



Dimensions

B	B1	B2	H	H1	H2	H3	L
400	420	440	200	220	240	255	500



Ecodesign

Trademark	Vents
Model	VKPF 4D 400x200
Type of drive installed	External MSD or VSD
Type of heat recovery system	None
Nominal flow rate (m ³ /s)	0.219
Nominal external pressure (Pa)	218
Maximum external leakage rates (%)	2.7
Static efficiency (%)	25
Declared typology	NRVU UVU
Sound power level (dB(A))	72
Effective electric power input (kW)	0.195