

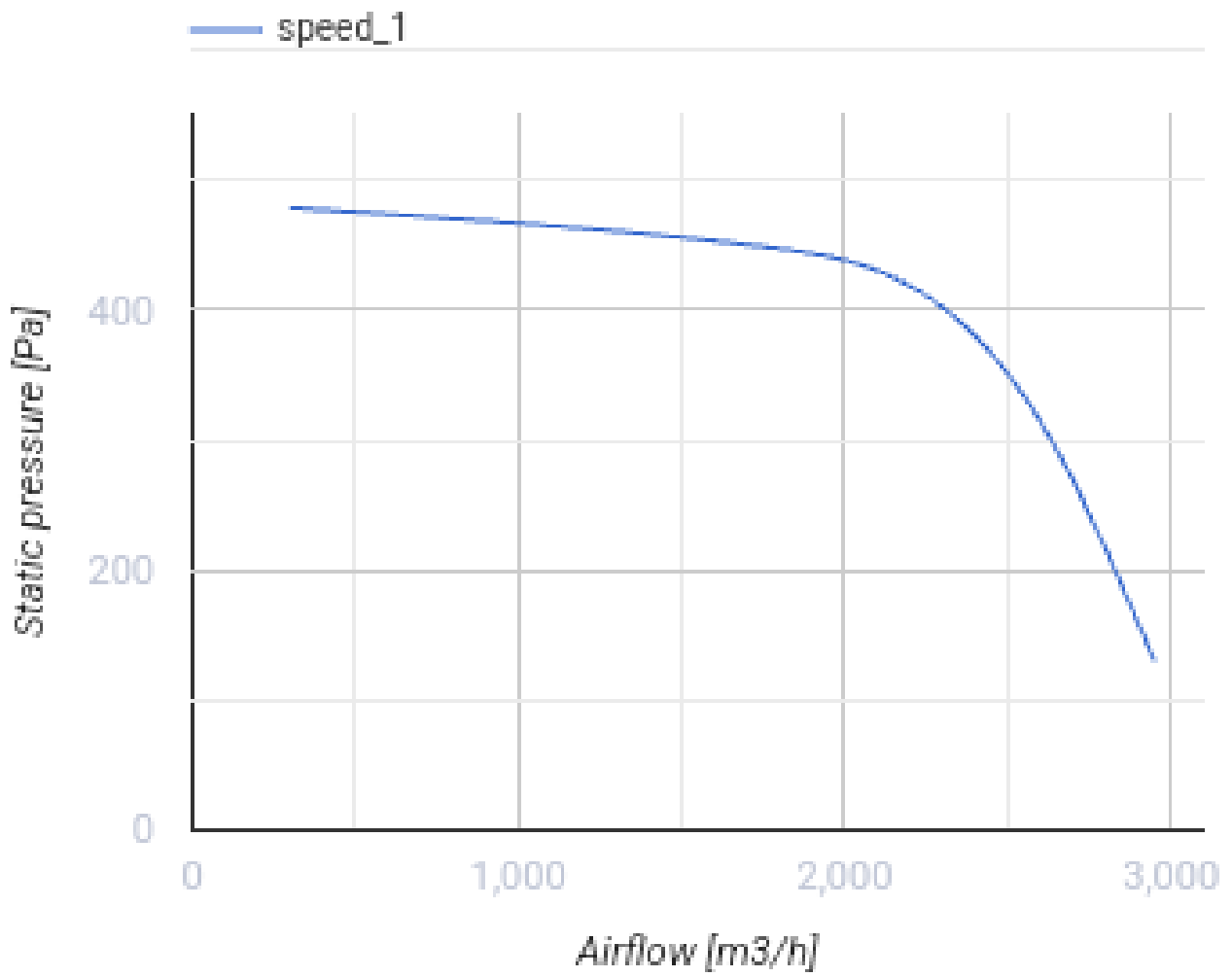
# VKPF 4E 600x300

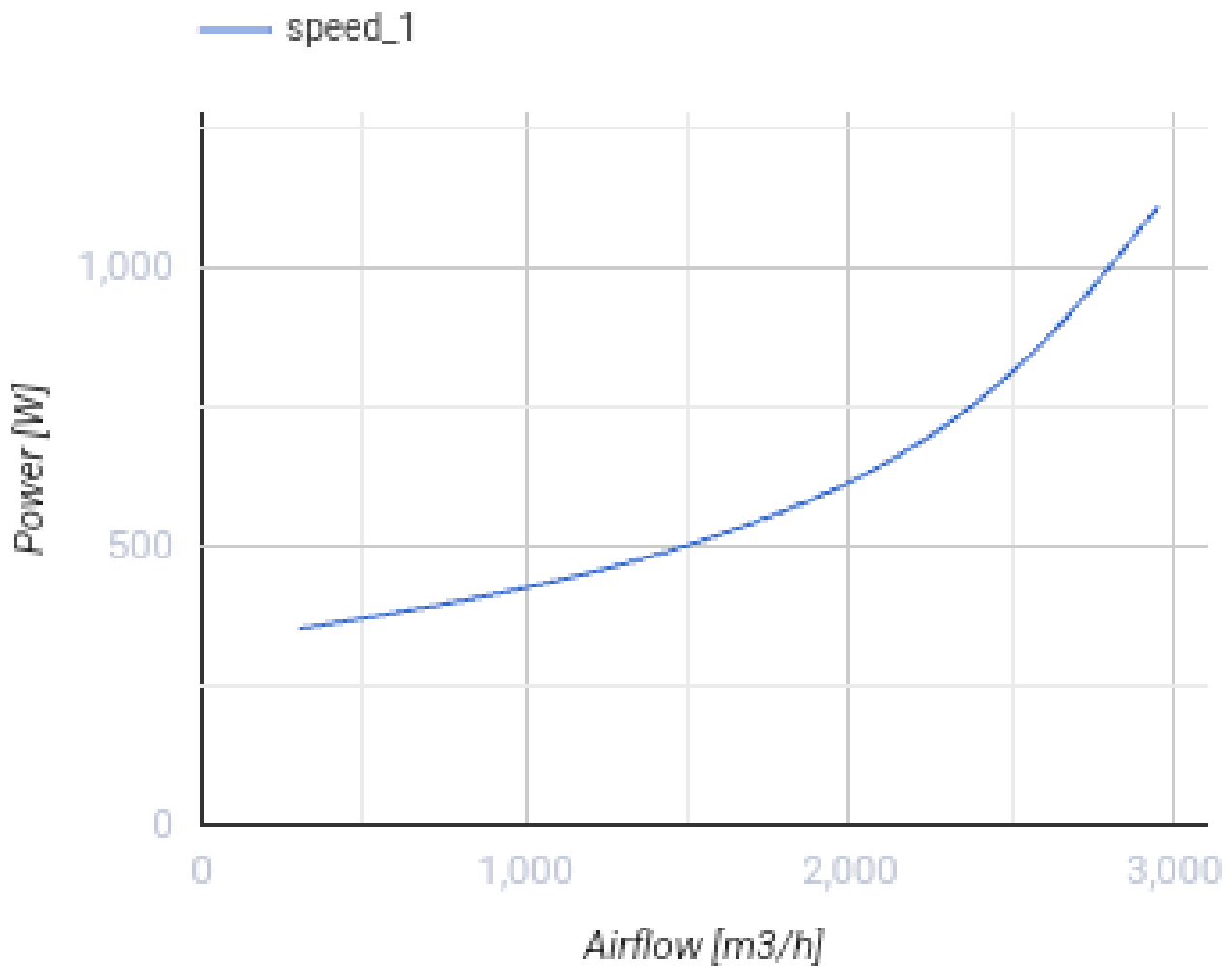


Centrifugal inline fans with forward curved blades

- Maximum airflow: 2950
- Sound pressure level LpA at 3 m: 59
- Motor type: AC
- Impeller type: Centrifugal forward curved blades
- Casing material: Galvanized steel
- Installation in any position

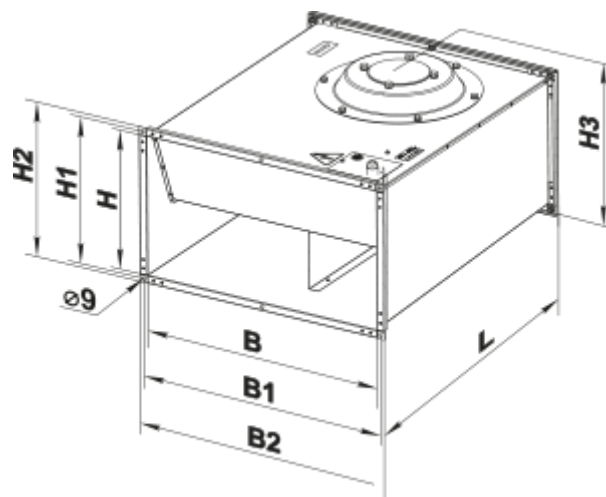
	Unit of measurement	VKPF 4E 600x300
Connected air duct size	mm	600x300
Speed	-	1
Minimum supply voltage	V	230
Maximum supply voltage	V	230
Power supply frequency	Hz	50
Rated power	W	1240
Unit current	A	6.45
Maximum airflow	m <sup>3</sup> /h	2950
Sound pressure level LpA at 3 m	dB(A)	59
Weight	kg	35
Transported air temperature (max)	°C	50
Transported air temperature (min)	°C	-25
Ingress protection rating	-	IPX4
Ingress protection rating of the drive	-	IP44





### Dimensions

B	B1	B1	H	H1	H2	H3	L
600	620	640	300	320	340	375	680



## Ecodesign

Trademark	Vents
Model	VKPF 4E 600x300
Type of drive installed	External MSD or VSD
Type of heat recovery system	None
Nominal flow rate (m <sup>3</sup> /s)	0.396
Nominal external pressure (Pa)	473
Maximum external leakage rates (%)	2.7
Static efficiency (%)	34.4
Declared typology	NRVU UVU
Effective electric power input (kW)	0.555
Sound power level (dB(A))	79