

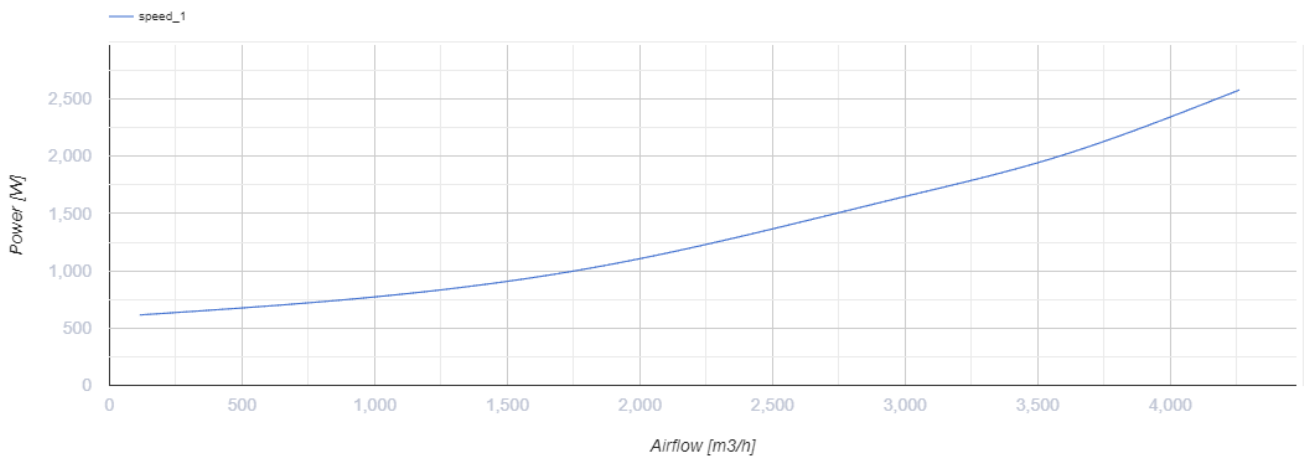
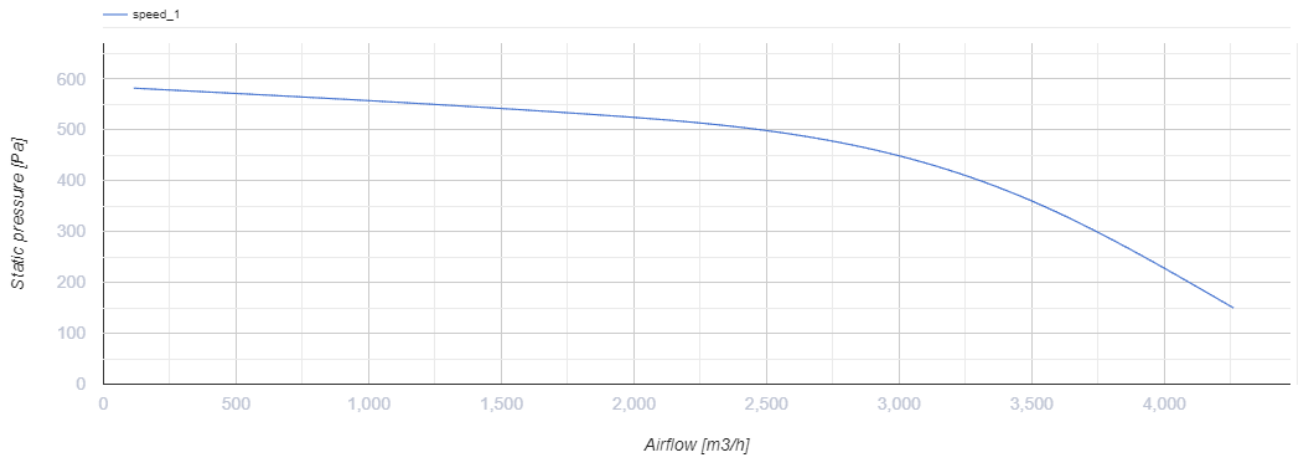
VKPF 4E 600x350



Inline centrifugal fans for rectangular ducts

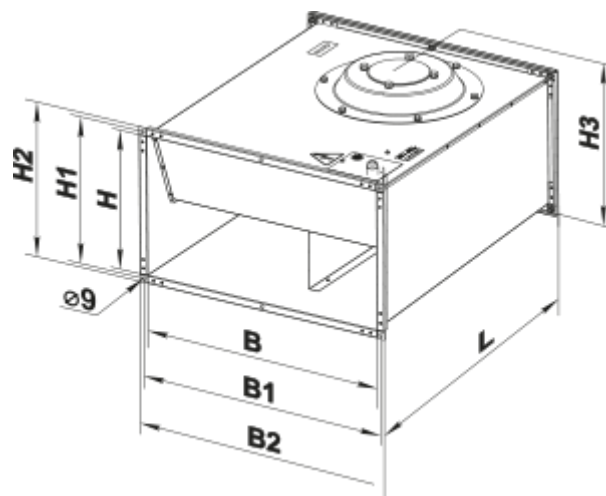
- Maximum airflow: 4260
- Sound pressure level LpA at 3 m: 59
- Motor type: AC
- Impeller type: Centrifugal forward curved blades
- Casing material: Galvanized steel
- Installation in any position

	Unit of measurement	VKPF 4E 600x350
Connected air duct size	mm	600x350
Speed	-	1
Minimum supply voltage	V	230
Maximum supply voltage	V	230
Power supply frequency	Hz	50
Rated power	W	2840
Unit current	A	13.9
Maximum airflow	m ³ /h	4260
Sound pressure level LpA at 3 m	dB(A)	59
Weight	kg	49.5
Transported air temperature (max)	°C	40
Transported air temperature (min)	°C	-20
Ingress protection rating	-	IPX4
Ingress protection rating of the drive	-	IP44



Dimensions

B	B1	B2	H	H1	H2	H3	L
600	620	640	350	370	390	425	735



Ecodesign

Trademark	Vents
Model	VKPF 4E 600x350
Type of drive installed	External MSD or VSD
Type of heat recovery system	None
Nominal flow rate (m ³ /s)	0.559
Nominal external pressure (Pa)	521
Maximum external leakage rates (%)	2.7
Static efficiency (%)	26.8
Declared typology	NRVU UVU
Sound power level (dB(A))	79
Effective electric power input (kW)	1.11