

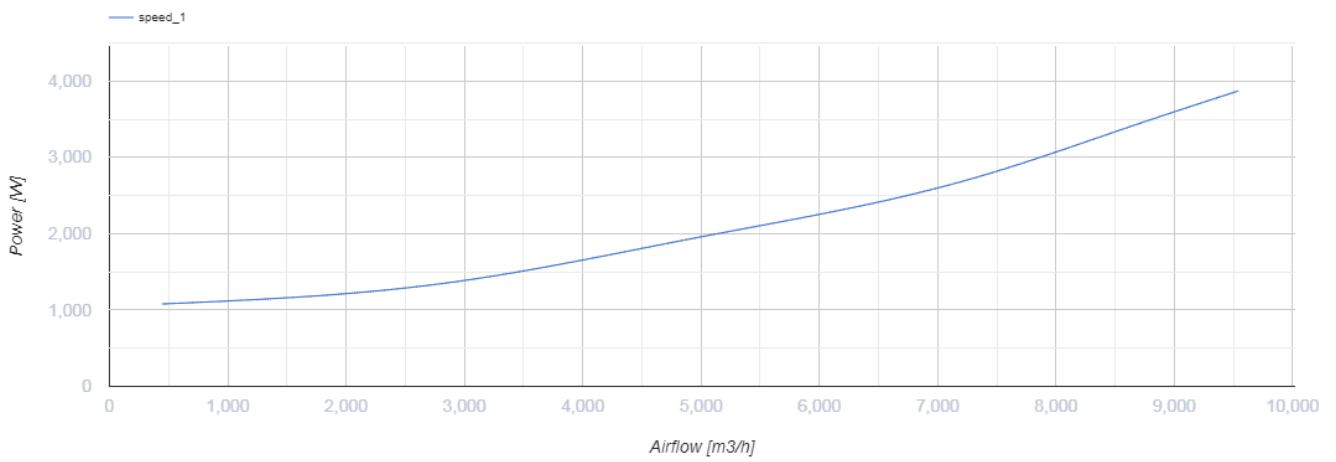
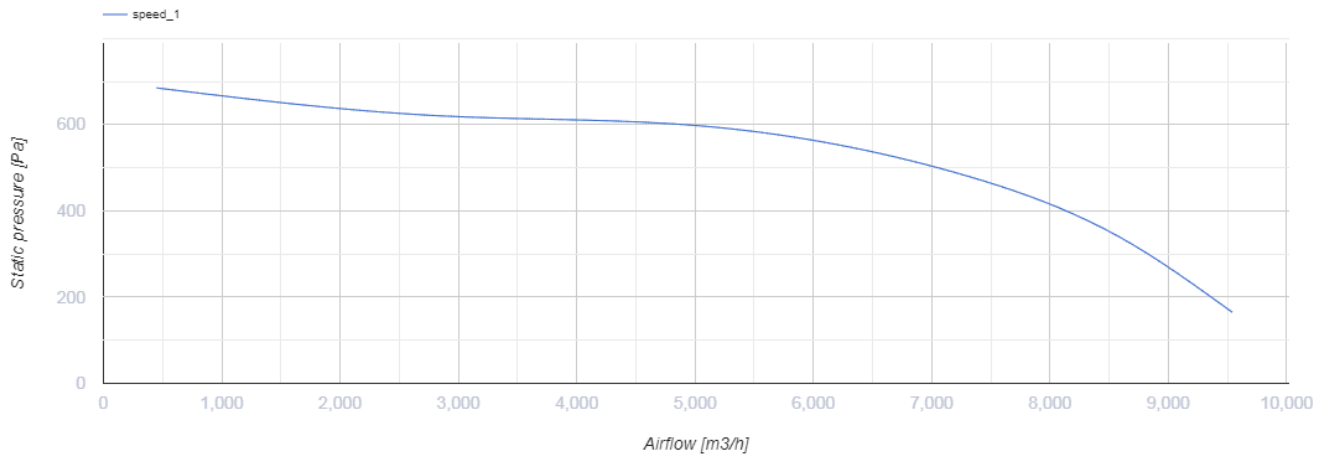
# VKPF 6D 1000x500

Inline centrifugal fans for rectangular ducts

- Maximum airflow: 9540
- Sound pressure level LpA at 3 m: 61
- Motor type: AC
- Impeller type: Centrifugal forward curved blades
- Casing material: Galvanized steel
- Installation in any position

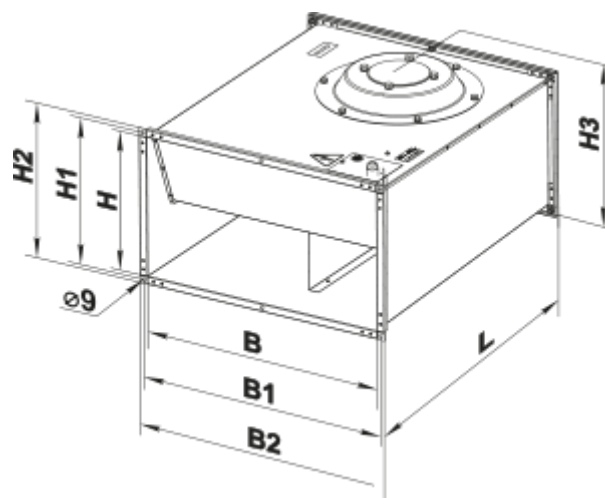


	Unit of measurement	VKPF 6D 1000x500
Connected air duct size	mm	1000x500
Speed	-	1
Minimum supply voltage	V	400
Maximum supply voltage	V	400
Power supply frequency	Hz	50
Rated power	W	3870
Unit current	A	7
Maximum airflow	m <sup>3</sup> /h	9540
Sound pressure level LpA at 3 m	dB(A)	61
Weight	kg	95
Transported air temperature (max)	°C	55
Transported air temperature (min)	°C	-20
Ingress protection rating	-	IPX4
Ingress protection rating of the drive	-	IP44



## Dimensions

B	B1	B2	H	H1	H2	H3	L
1000	1020	1040	500	520	540	580	954



## Ecodesign

Trademark	Vents
Model	VKPF 6D 1000x500
Type of drive installed	External MSD or VSD
Type of heat recovery system	None
Nominal flow rate (m <sup>3</sup> /s)	1.442
Nominal external pressure (Pa)	590
Maximum external leakage rates (%)	2.7
Static efficiency (%)	43.2
Declared typology	NRVU UVU
Sound power level (dB(A))	81
Effective electric power input (kW)	2.01