

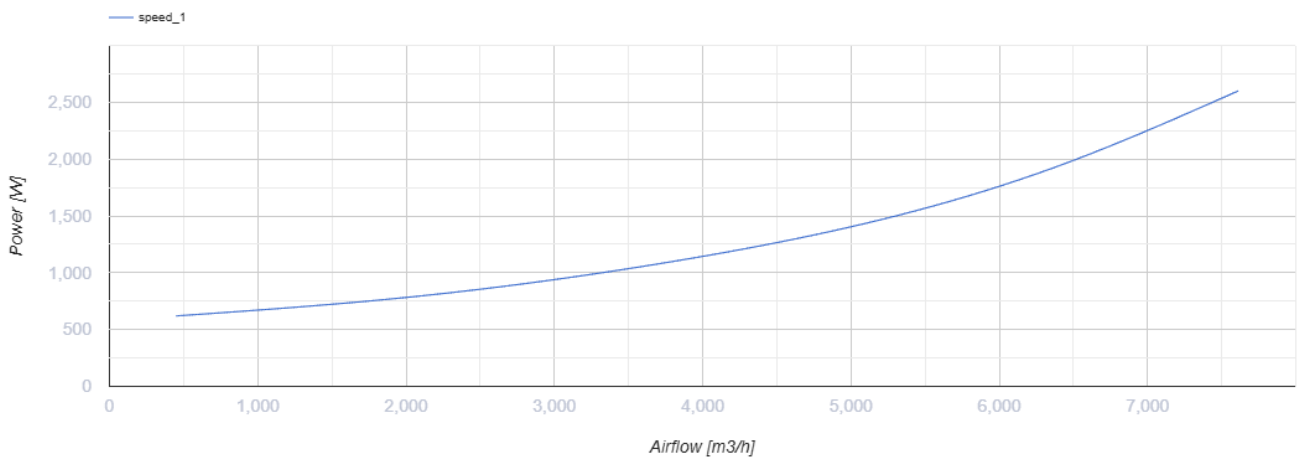
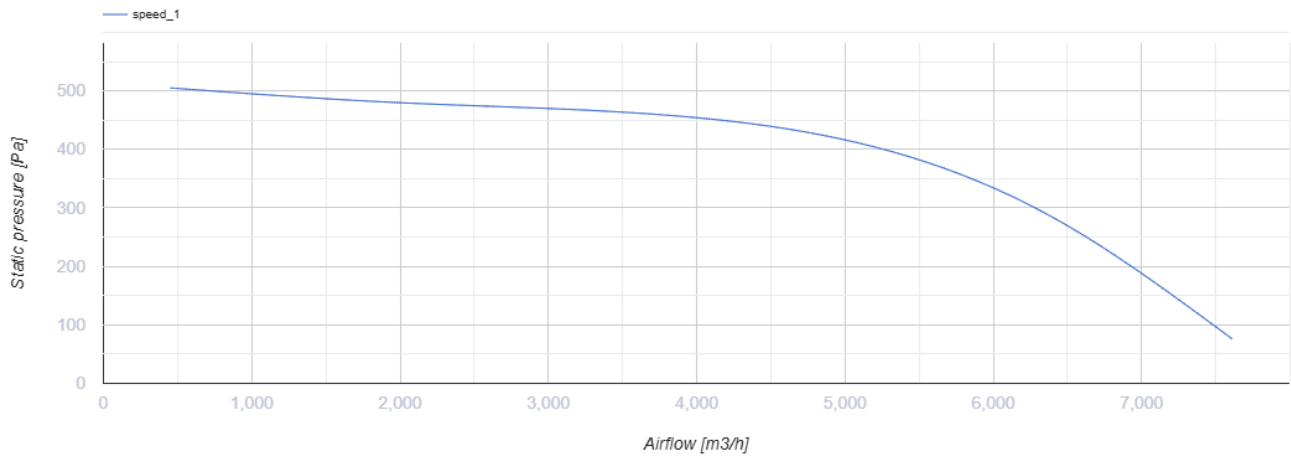
VKPF 6D 800x500



Inline centrifugal fans for rectangular ducts

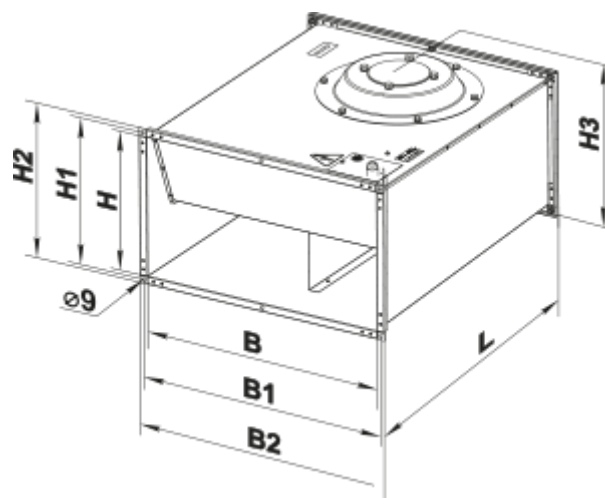
- Maximum airflow: 7610
- Sound pressure level LpA at 3 m: 59
- Motor type: AC
- Impeller type: Centrifugal forward curved blades
- Casing material: Galvanized steel
- Installation in any position

	Unit of measurement	VKPF 6D 800x500
Connected air duct size	mm	800x500
Speed	-	1
Minimum supply voltage	V	400
Maximum supply voltage	V	400
Power supply frequency	Hz	50
Rated power	W	2790
Unit current	A	5.18
Maximum airflow	m ³ /h	7610
Sound pressure level LpA at 3 m	dB(A)	59
Weight	kg	70
Transported air temperature (max)	°C	50
Transported air temperature (min)	°C	-20
Ingress protection rating	-	IPX4
Ingress protection rating of the drive	-	IP44



Dimensions

B	B1	B2	H	H1	H2	H3	L
800	820	840	500	520	540	580	820



Ecodesign

Trademark	Vents
Model	VKPF 6D 800x500
Type of drive installed	External MSD or VSD
Type of heat recovery system	None
Nominal flow rate (m ³ /s)	1.075
Nominal external pressure (Pa)	457
Maximum external leakage rates (%)	2.7
Static efficiency (%)	43.6
Declared typology	NRVU UVU
Effective electric power input (kW)	1.15
Sound power level (dB(A))	79