

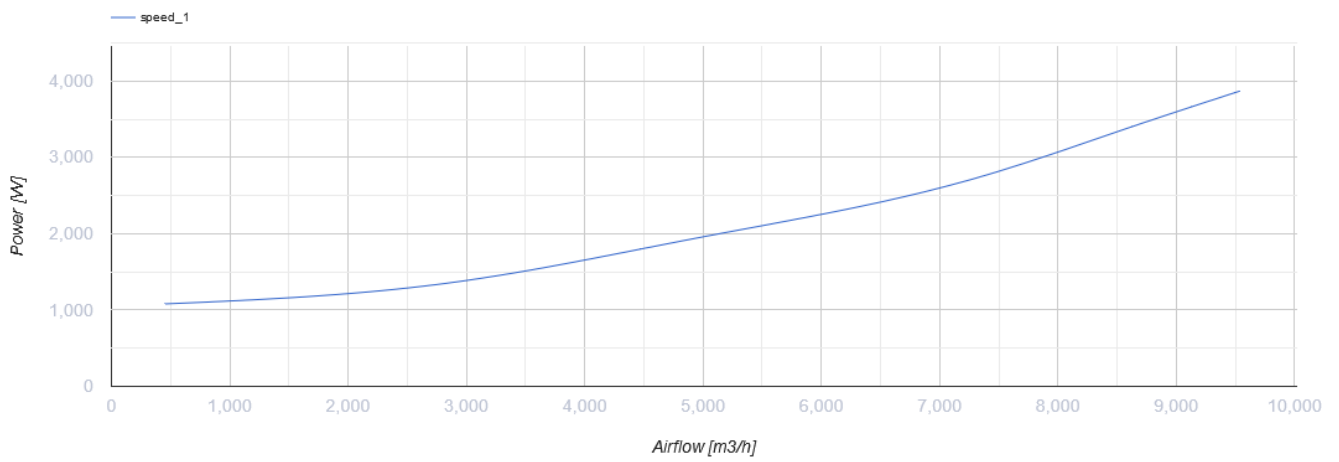
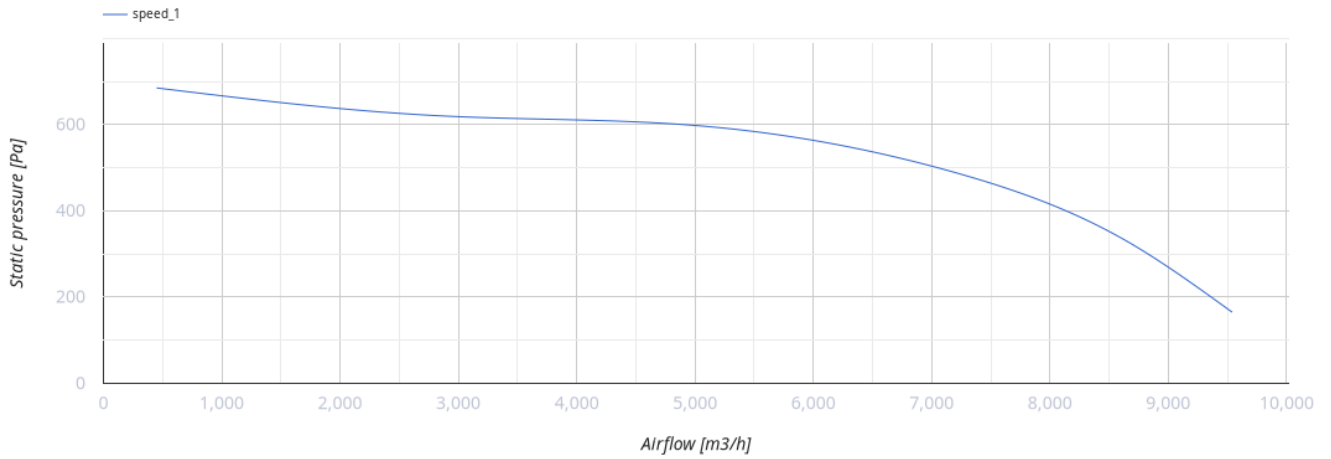
VKPF 6D 900x500



Inline centrifugal fans for rectangular ducts

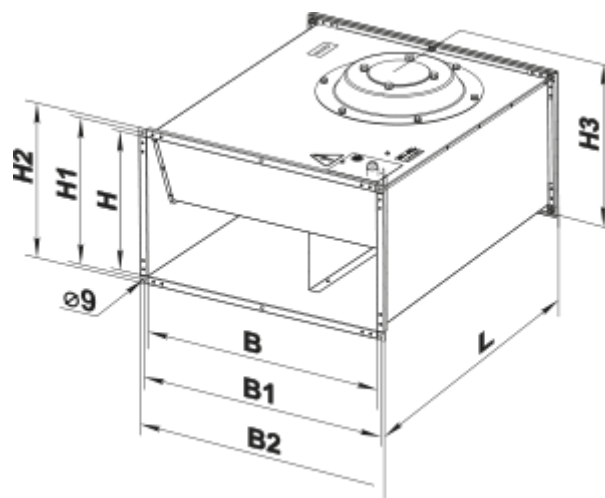
- Maximum airflow: 9540
- Sound pressure level LpA at 3 m: 61
- Motor type: AC
- Impeller type: Centrifugal forward curved blades
- Casing material: Galvanized steel
- Installation in any position

	Unit of measurement	VKPF 6D 900x500
Connected air duct size	mm	900x500
Speed	-	1
Minimum supply voltage	V	400
Maximum supply voltage	V	400
Power supply frequency	Hz	50
Rated power	W	3870
Unit current	A	7
Maximum airflow	m ³ /h	9540
Sound pressure level LpA at 3 m	dB(A)	61
Weight	kg	90
Transported air temperature (max)	°C	55
Transported air temperature (min)	°C	-20
Ingress protection rating	-	IPX4
Ingress protection rating of the drive	-	IP44



Dimensions

B	B1	B2	H	H1	H2	H3	L
900	920	940	500	520	540	580	954



Ecodesign

Trademark	Vents
Model	VKPF 6D 900x500
Type of drive installed	External MSD or VSD
Type of heat recovery system	None
Nominal flow rate (m ³ /s)	1.441
Nominal external pressure (Pa)	590
Maximum external leakage rates (%)	2.7
Static efficiency (%)	43.2
Declared typology	NRVU UVU
Effective electric power input (kW)	2.01
Sound power level (dB(A))	81