

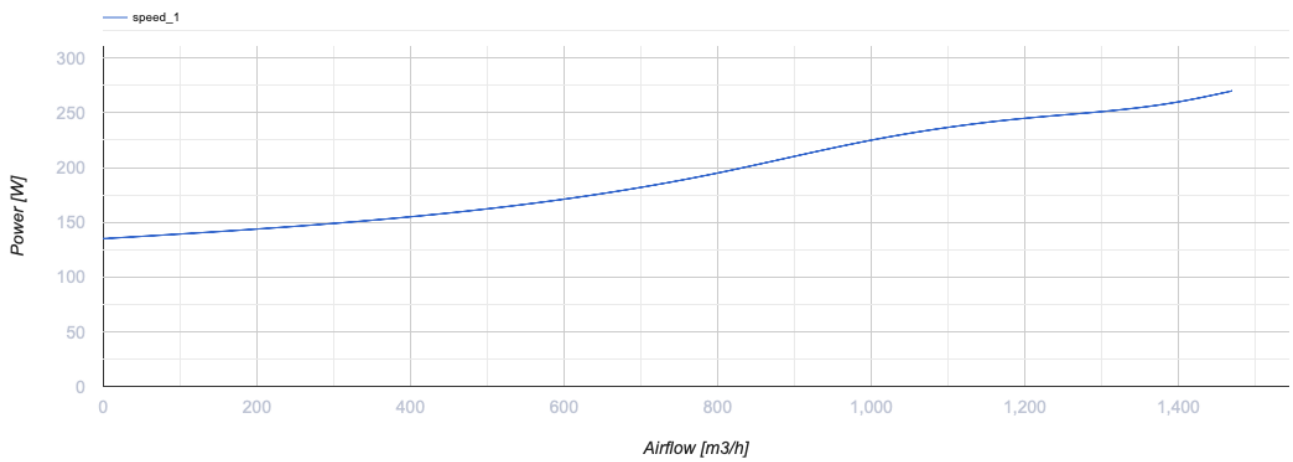
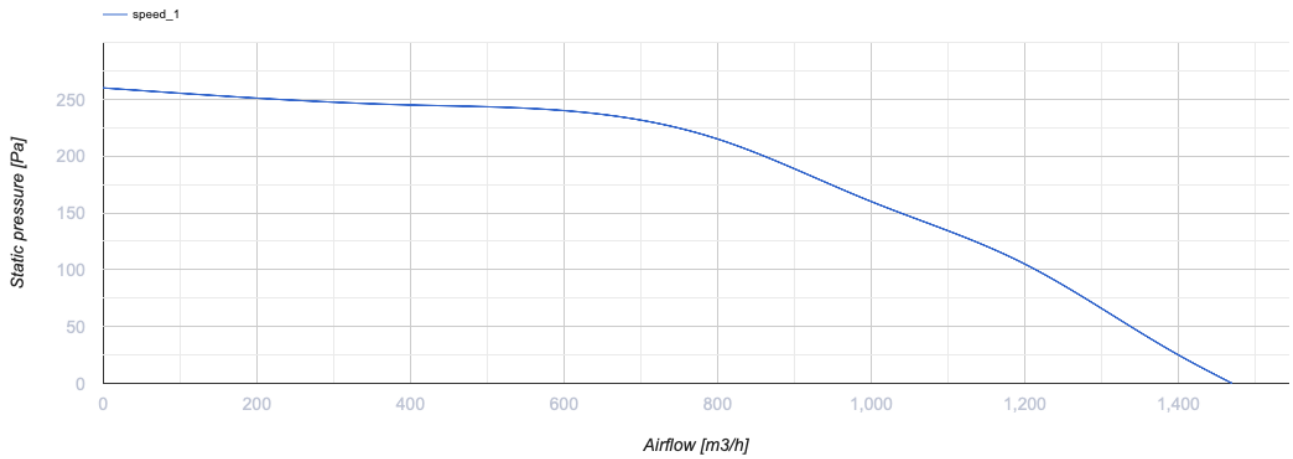
# VKPF1 4D 400x200



Inline sound- and heat-insulated centrifugal fans for rectangular ducts

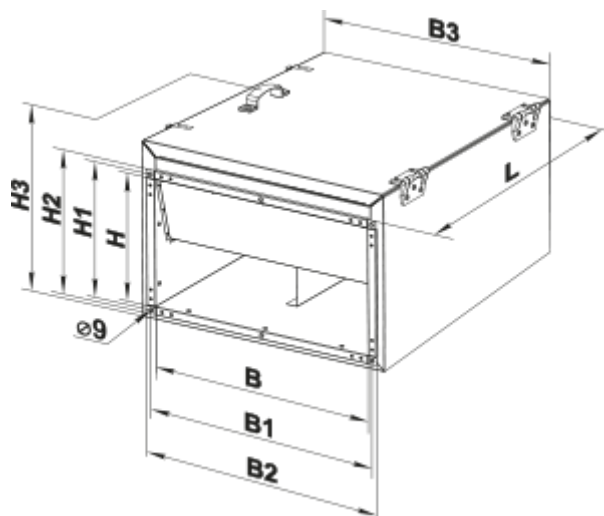
- Maximum airflow: 1470
- Sound pressure level LpA at 3 m: 43
- Sound insulation
- Motor type: AC
- Impeller type: Centrifugal forward curved blades
- Casing material: Galvanized steel
- Installation in any position

	Unit of measurement	VKPF1 4D 400x200
Connected air duct size	mm	400x200
Speed	-	1
Minimum supply voltage	V	400
Maximum supply voltage	V	400
Power supply frequency	Hz	50
Rated power	W	282
Unit current	A	0.6
Maximum airflow	m <sup>3</sup> /h	1470
Sound pressure level LpA at 3 m	dB(A)	43
Weight	kg	29
Transported air temperature (max)	°C	45
Transported air temperature (min)	°C	-25
Ingress protection rating	-	IPX4
Ingress protection rating of the drive	-	IP44



## Dimensions

B	B1	B2	B3	H	H1	H2	H3	L
400	420	440	470	200	220	240	360	500



## Ecodesign

Trademark	Vents
Model	VKPFI 4D 400x200
Type of drive installed	External MSD or VSD
Type of heat recovery system	None
Nominal flow rate (m <sup>3</sup> /s)	0.219
Nominal external pressure (Pa)	218
Maximum external leakage rates (%)	2.7
Static efficiency (%)	25
Declared typology	NRVU UVU
Sound power level (dB(A))	63
Effective electric power input (kW)	0.195