

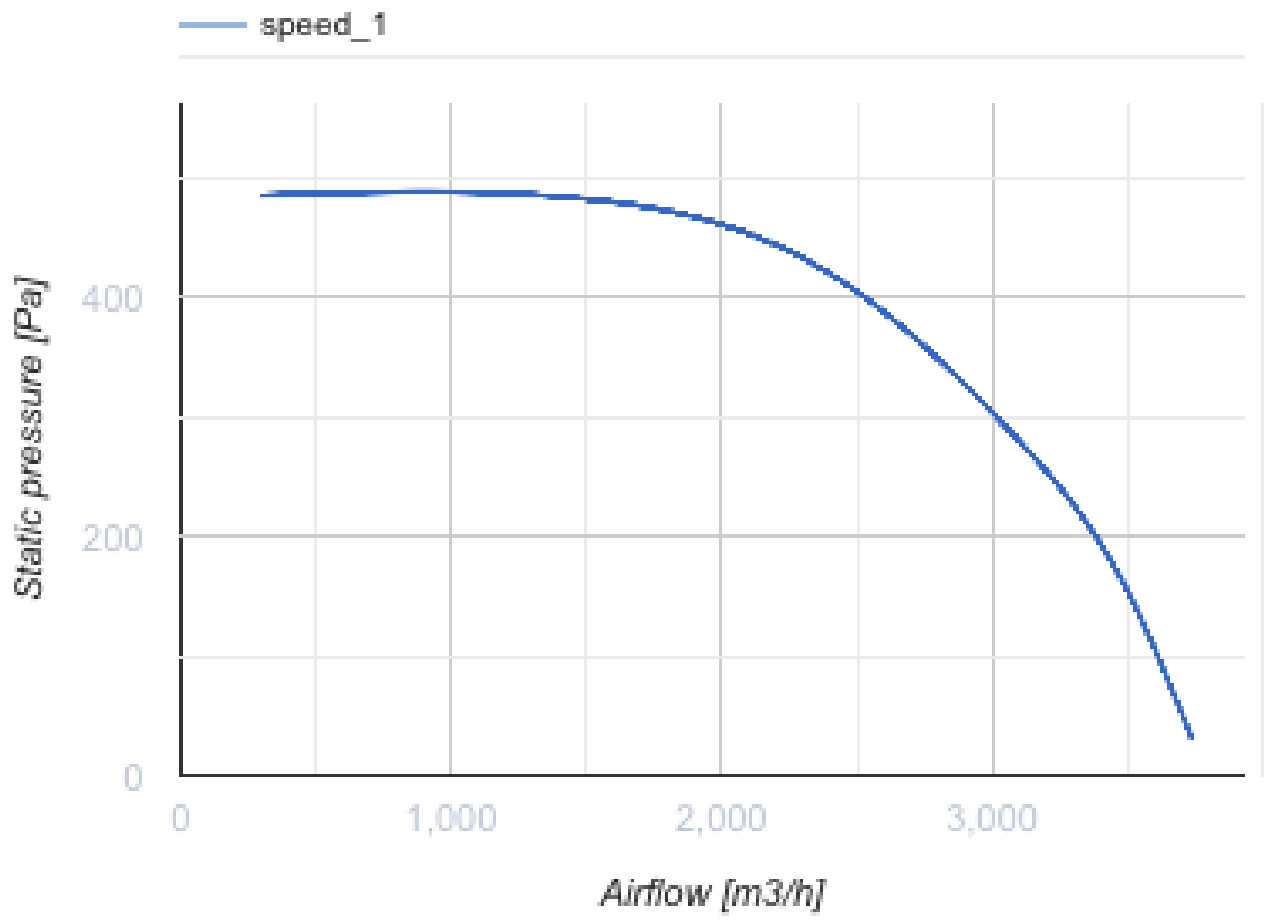
VKPF1 4D 600x300

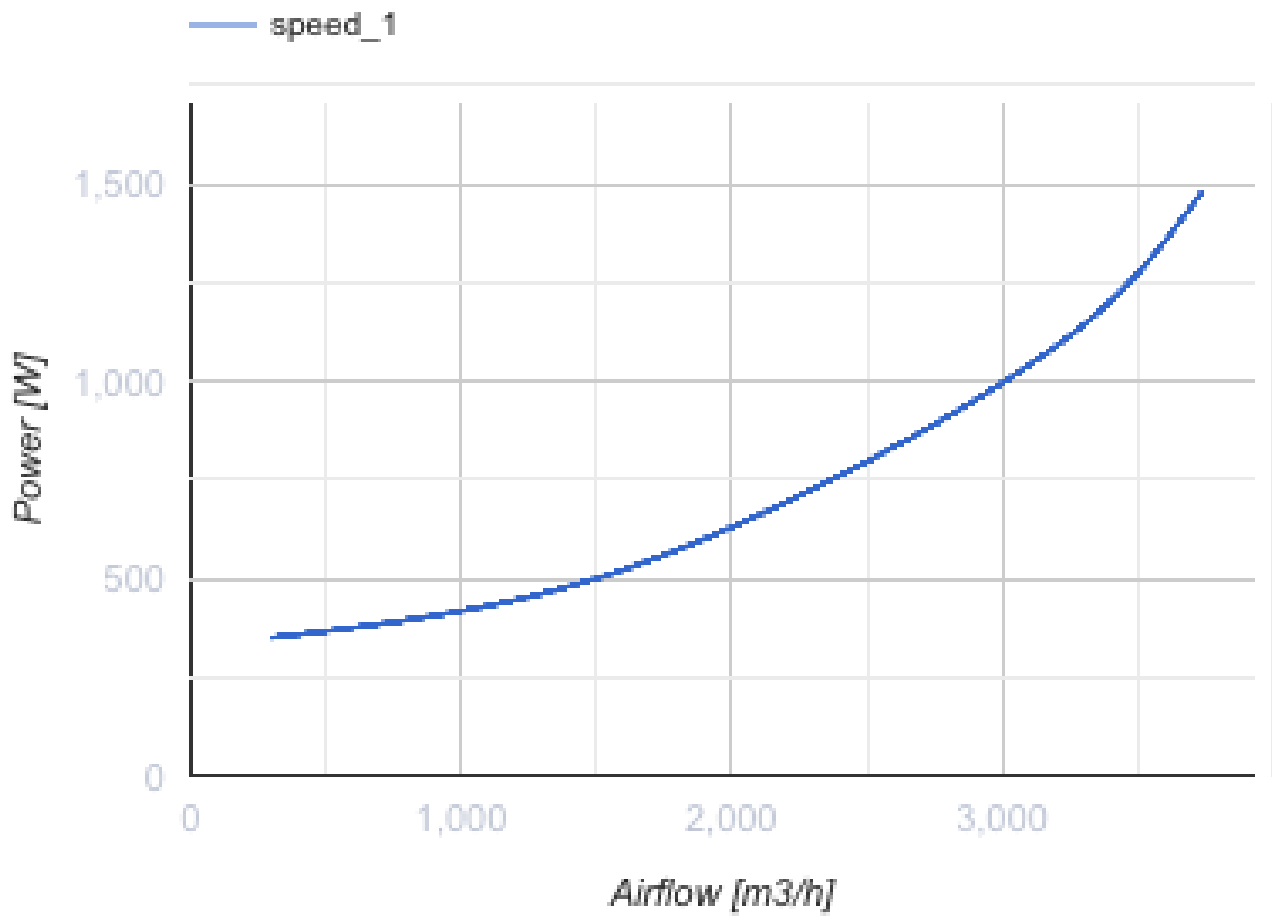


Inline sound- and heat-insulated centrifugal fans for rectangular ducts

- Maximum airflow: 3740
- Sound pressure level LpA at 3 m: 50
- Sound insulation
- Motor type: AC
- Impeller type: Centrifugal forward curved blades
- Casing material: Galvanized steel
- Installation in any position

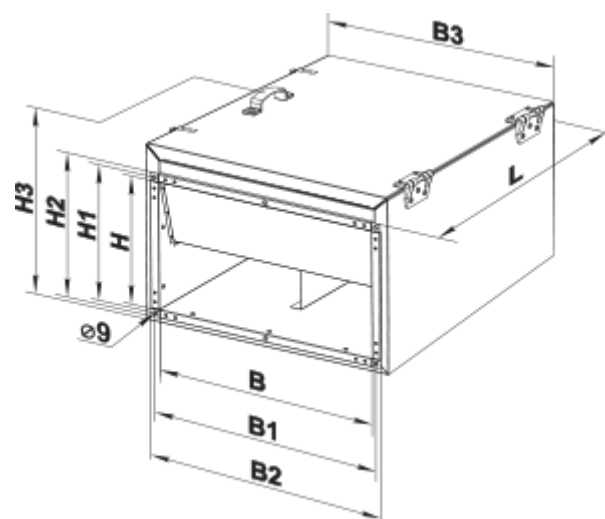
	Unit of measurement	VKPF1 4D 600x300
Connected air duct size	mm	600x300
Speed	-	1
Minimum supply voltage	V	400
Maximum supply voltage	V	400
Power supply frequency	Hz	50
Rated power	W	1560
Unit current	A	2.73
Maximum airflow	m ³ /h	3740
Sound pressure level LpA at 3 m	dB(A)	50
Weight	kg	56
Transported air temperature (max)	°C	65
Transported air temperature (min)	°C	-25
Ingress protection rating	-	IPX4
Ingress protection rating of the drive	-	IP44





Dimensions

B	B1	B2	B3	H	H1	H2	H3	L
600	620	640	670	300	320	340	480	680



Ecodesign

Trademark	Vents
Model	VKPFI 4D 600x300
Type of drive installed	External MSD or VSD
Type of heat recovery system	None
Nominal flow rate (m ³ /s)	0.419
Nominal external pressure (Pa)	485
Maximum external leakage rates (%)	2.7
Static efficiency (%)	40.6
Declared typology	NRVU UVU
Effective electric power input (kW)	0.51
Sound power level (dB(A))	70