

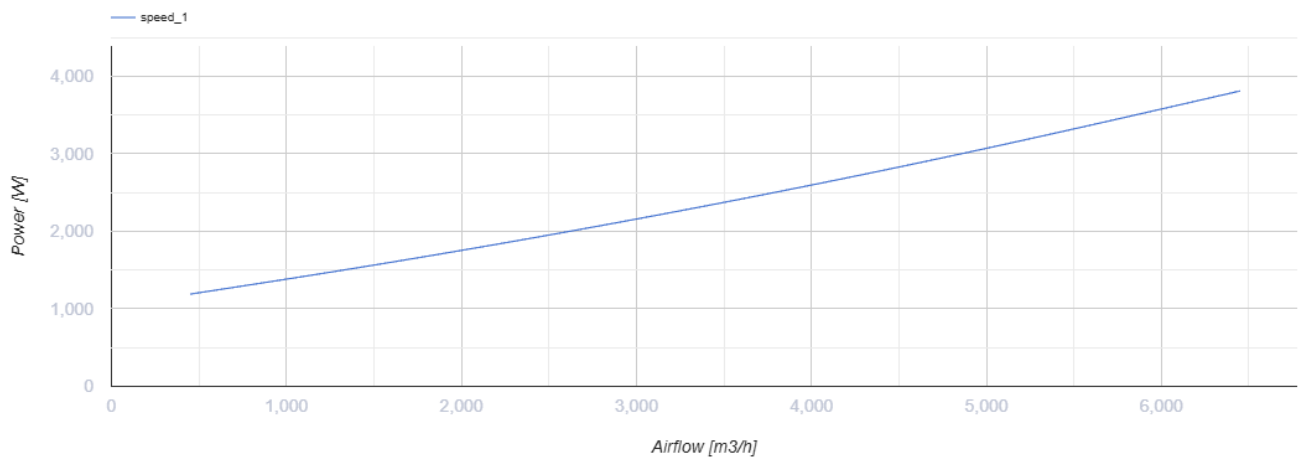
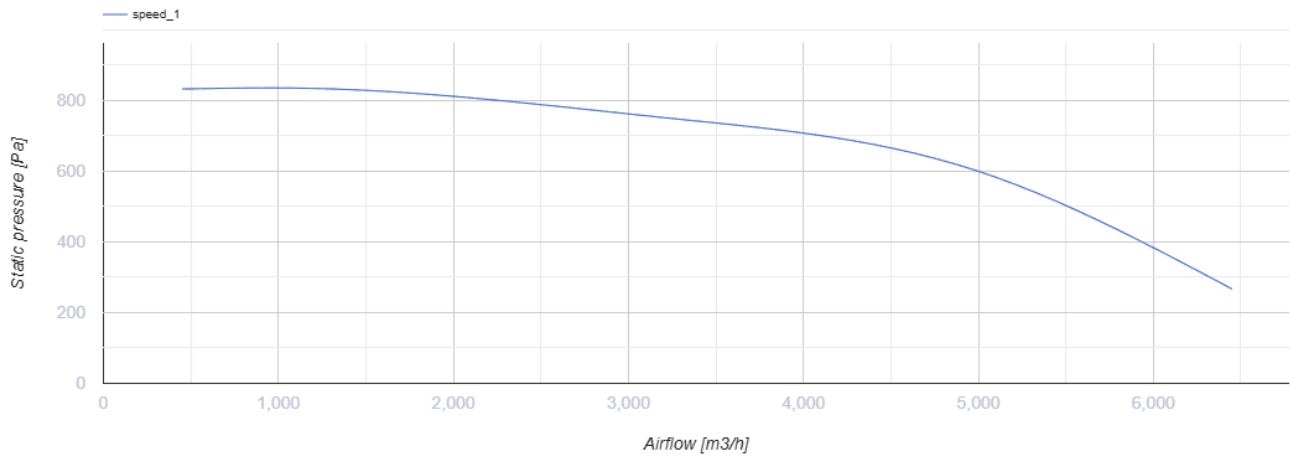
VKPF1 4D 700x400



Centrifugal inline fans with forward curved blades in sound-insulated casings

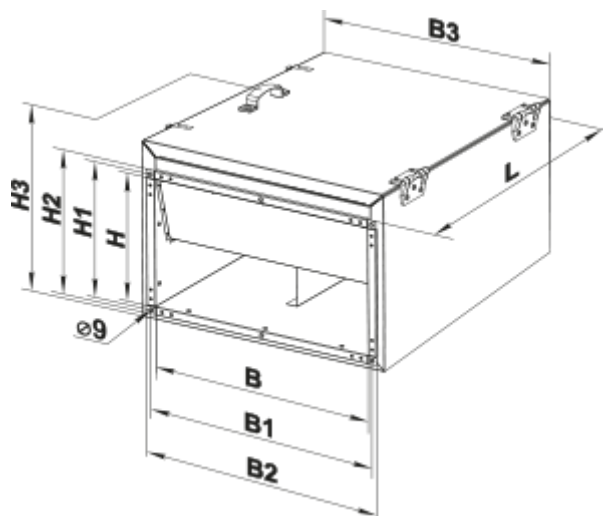
- Maximum airflow: 6450
- Sound pressure level LpA at 3 m: 56
- Sound insulation
- Motor type: AC
- Impeller type: Centrifugal forward curved blades
- Casing material: Galvanized steel
- Installation in any position

	Unit of measurement	VKPF1 4D 700x400
Connected air duct size	mm	700x400
Speed	-	1
Minimum supply voltage	V	400
Maximum supply voltage	V	400
Power supply frequency	Hz	50
Rated power	W	3630
Unit current	A	6
Maximum airflow	m ³ /h	6450
Sound pressure level LpA at 3 m	dB(A)	56
Weight	kg	103
Transported air temperature (max)	°C	40
Transported air temperature (min)	°C	-25
Ingress protection rating	-	IPX4
Ingress protection rating of the drive	-	IP44



Dimensions

B	B1	B2	B3	H	H1	H2	H3	L
700	720	-	800	400	420	-	620	880



Ecodesign

Trademark	Vents
Model	VKPF1 4D 700x400
Type of drive installed	External MSD or VSD
Type of heat recovery system	None
Nominal flow rate (m ³ /s)	0.9
Nominal external pressure (Pa)	751
Maximum external leakage rates (%)	2.7
Static efficiency (%)	36.5
Declared typology	NRVU UVU
Effective electric power input (kW)	1.89
Sound power level (dB(A))	76