

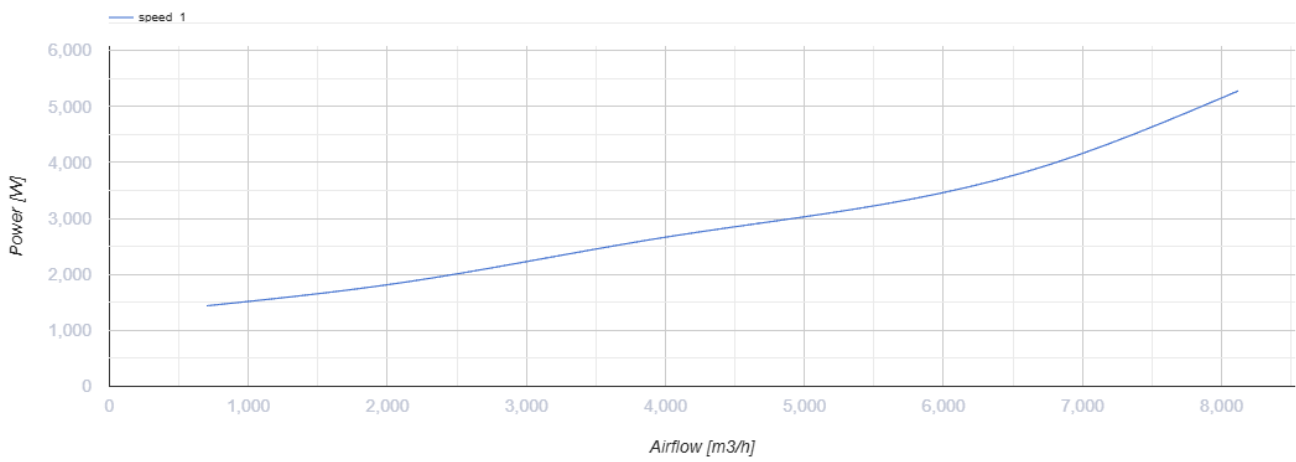
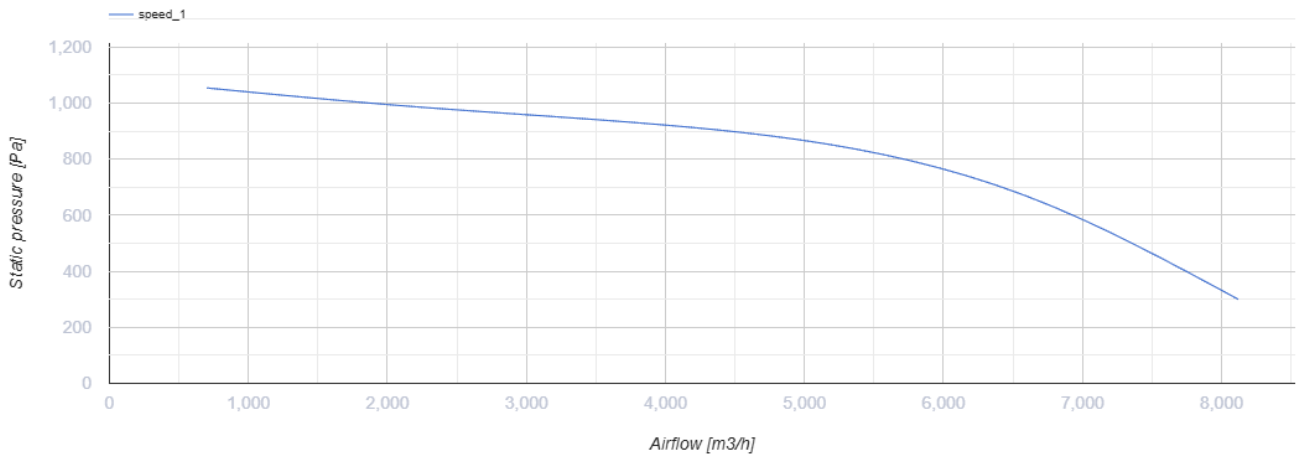
VKPF1 4D 800x500



Inline sound- and heat-insulated centrifugal fans for rectangular ducts

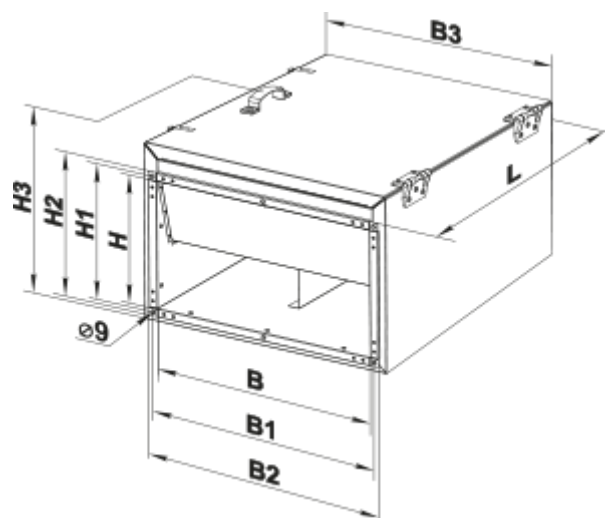
- Maximum airflow: 8120
- Sound pressure level LpA at 3 m: 61
- Sound insulation
- Motor type: AC
- Impeller type: Centrifugal forward curved blades
- Casing material: Galvanized steel
- Installation in any position

	Unit of measurement	VKPF1 4D 800x500
Connected air duct size	mm	800x500
Speed	-	1
Minimum supply voltage	V	400
Maximum supply voltage	V	400
Power supply frequency	Hz	50
Rated power	W	5850
Unit current	A	9.35
Maximum airflow	m ³ /h	8120
Sound pressure level LpA at 3 m	dB(A)	61
Weight	kg	127
Transported air temperature (max)	°C	40
Transported air temperature (min)	°C	-25
Ingress protection rating	-	IPX4
Ingress protection rating of the drive	-	IP44



Dimensions

B	B1	B2	B3	H	H1	H2	H3	L
800	820	-	900	500	520	-	720	935



Ecodesign

Trademark	Vents
Model	VKPFI 4D 800x500
Type of drive installed	External MSD or VSD
Type of heat recovery system	None
Nominal flow rate (m ³ /s)	1.291
Nominal external pressure (Pa)	881
Maximum external leakage rates (%)	2.7
Static efficiency (%)	42.3
Declared typology	NRVU UVU
Effective electric power input (kW)	2.743
Sound power level (dB(A))	81