

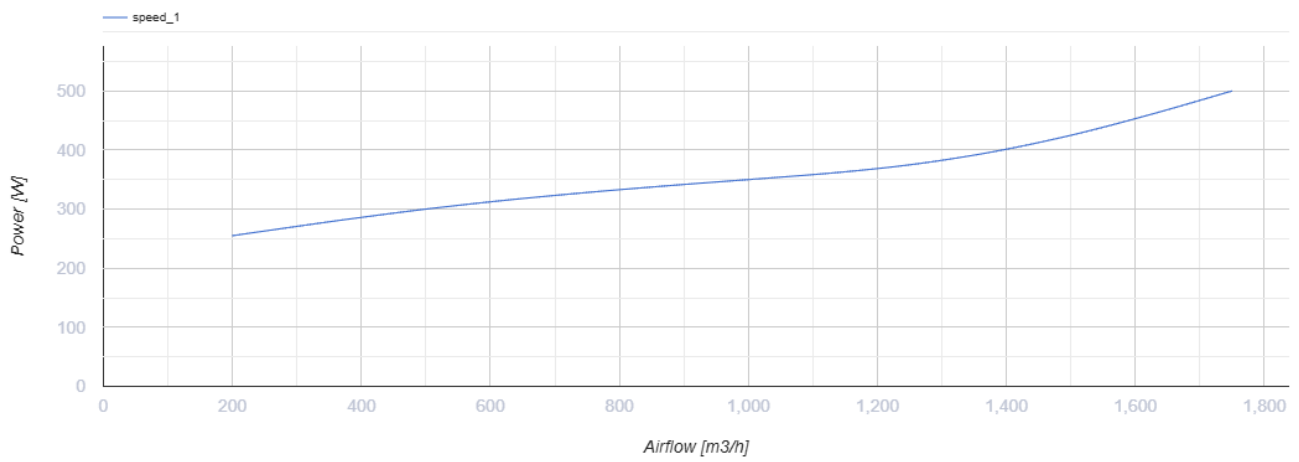
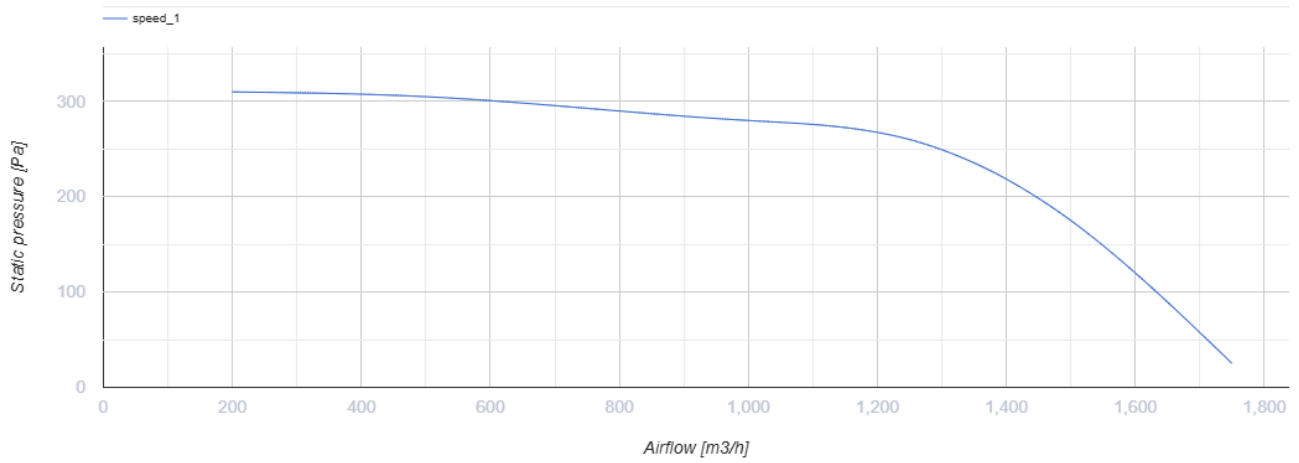
VKPF1 4E 500x250



Centrifugal inline fans with forward curved blades in sound-insulated casings

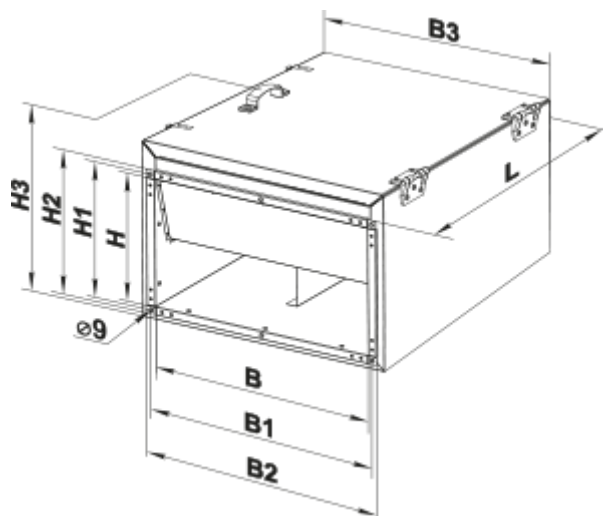
- Maximum airflow: 1750
- Sound pressure level LpA at 3 m: 44
- Sound insulation
- Motor type: AC
- Impeller type: Centrifugal forward curved blades
- Casing material: Galvanized steel
- Installation in any position

	Unit of measurement	VKPF1 4E 500x250
Connected air duct size	mm	500x250
Speed	-	1
Minimum supply voltage	V	230
Maximum supply voltage	V	230
Power supply frequency	Hz	50
Rated power	W	535
Unit current	A	2.49
Maximum airflow	m ³ /h	1750
Sound pressure level LpA at 3 m	dB(A)	44
Weight	kg	40.5
Transported air temperature (max)	°C	40
Transported air temperature (min)	°C	-20
Ingress protection rating	-	IPX4
Ingress protection rating of the drive	-	IP44



Dimensions

B	B1	B2	B3	H	H1	H2	H3	L
500	520	540	570	250	270	290	410	640



Ecodesign

Trademark	Vents
Model	VKPF1 4E 500x250
Type of drive installed	External MSD or VSD
Type of heat recovery system	None
Nominal flow rate (m ³ /s)	0.29
Nominal external pressure (Pa)	286
Maximum external leakage rates (%)	2.7
Static efficiency (%)	24.2
Declared typology	NRVU UVU
Effective electric power input (kW)	0.35
Sound power level (dB(A))	64